

This pro-style hood literally bends the lines with contemporary form.  
 Finally, high performance features that complement today's home design.

## WP29

Elegant, seamless welded design provides a flawless appearance, and 304 stainless steel gives lasting quality

Powerful, quiet internal and external blowers with HVI certified performance

Deep enclosure for excellent capture

Available in both 24" and 27" depths

Flexible design allows blowers to exhaust through the top or back of the hood (ducted application only)

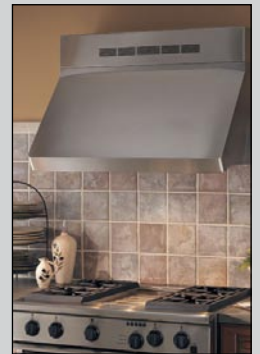
Evolution™ baffle filters combine with the efficiency of mesh for the ultimate in filtration

Halogen lamps deliver brilliant surface lighting

Hidden controls with memory feature

Heat Sentry™ is a smart feature that detects excessive heat and adjusts speed to high automatically

Optional, decorative stainless steel soffit flue (see p. 50)

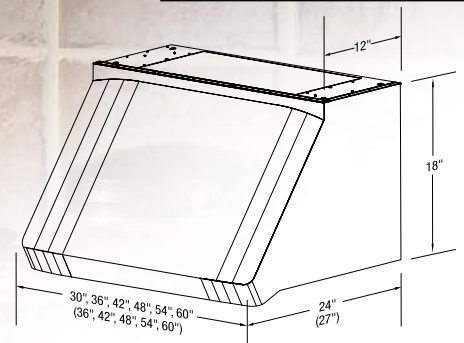


Optional non-ducted recirculation kit for hoods up to 48". Use with Best® by Broan internal blower.



Silver-ion stainless steel bottom panel cleans up effortlessly.

- 50-watt halogen lamps.
- Variable speed and lighting controls.
- Baffle filters with handles for easy removal.



For installation guidelines and product details see pages 54 – 58.

Model	Width	Lamps*	Blower	CFM	Finishes	Availability
WP29M	30" * 36", 42", 48", 54", 60"	4 or 6	INT. ♦ EXT. ♦	600, 1200 4 In-line, 4 Exterior	304 Brushed Stainless	March 2007

♦ Blower purchased separately.

\* 30" width hood not available in 27" depth.

■ 4 lamps on 30", 36" and 42" models. 6 lamps on 48", 54" and 60" models.