

CHIMNEY HOODS

Sleek styling. State-of-the-art performance. Unique materials and unsurpassed workmanship. What else would you expect from the world's design trendsetter?

WM24

Exclusive design by F.A. Porsche

Aluminum composite skin (in four beautiful finishes) reduces noise

Efficient, HVI certified internal (Quiet 1.0 Sone at low speed) or external blower options

Stainless steel/aluminum dishwasher-safe filters

Easy-to-read multi-function blue LCD display

Air-refresh cycle silently ventilates the kitchen area for improved indoor air quality

Sensor allows automatic operation by detecting cooking gases

Two-level halogen lamps provide brilliant cooktop lighting

Heat Sentry™ is a smart feature that detects excessive heat and adjusts speed to high automatically

Fits 8' ceilings, or 9' ceilings with flue extensions; ducted/non-ducted applications, custom extensions available



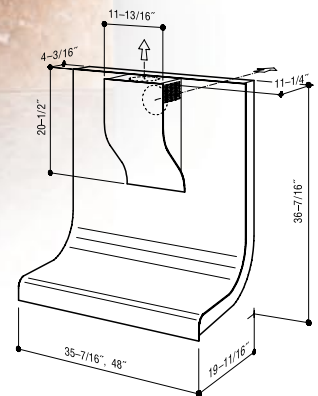
Four 20-watt halogen lamps provide ample lighting for the work surface.



Four-speed, electronic push-button control with a clean filter reminder.

Horizontal or vertical duct exhaust.

Flue allows non-ducted recirculation.



For installation guidelines and product details see pages 54 – 58.

Model	Width	Blower	CFM	Finish
WM24I	35-7/16" (90cm), 48"	INT. ■	540	Aluminum Matte
WM24E	35-7/16" (90cm), 48"	EXT. ◆	4 In-line 4 Exterior	Metallic Blue Metallic Black Metallic Red

■ Blower included. ◆ Blower purchased separately.