

**BUILT-IN COLLECTION**

You'd never know it's a range hood. Hidden behind the façade of your cabinetry or other design elements, this hood works quietly and never takes the credit it is due.

**PIK Pro-Style Insert**

Elegant, easy-to-clean brushed stainless finish is completed with professional-style baffle filters

Outdoor-rated version PIK33D available for covered patios and lanai areas

Powerful yet quiet internal and external blowers with HVI certified performance (see p. 52)

To protect cabinetry, use with optional Best® by Broan custom hood liners (see p. 51)

Bright, flush-mount halogen lighting (bulbs purchased separately)

Variable-speed slide control, or optional wall-mounted control panel (see p. 51)

Heat Sentry™ is a smart feature that detects excessive heat and adjusts speed to high automatically



Adjustable liners ensure a perfect fit in custom enclosures. See page 51.



Optional lighting can be added to Best® by Broan liners. See page 51.

**Blower & Liner Selection Guide**

**1. Select a Pro-Style Insert**  
**PIK33** (33" wide), **PIK45** (45" wide)  
 Both feature an 18<sup>7/16</sup>" depth

**Outdoor PIK33D**  
 • 33" wide, 18<sup>7/16</sup>" depth

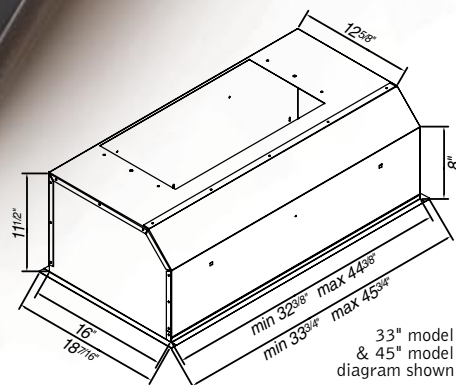
**2. Select a Liner**  
 • **L3336S** 36" width, for **PIK33**  
 • **L3342S** 42" width, for **PIK33**  
 • **L4548S** 48" width, for **PIK45**  
 • **L4560S** 60" width, for **PIK45**  
 • **L3336D** 36" width, for **PIK33D**  
 • **L3348D** 42" width, for **PIK33D**

**3. Select an Internal, In-Line or Exterior Blower:**

Internal:  
**P5** (460 CFM) or **P8** (850 CFM)  
 Exterior (outside, roof or wall):  
**EB6** (600 CFM), **EB9** (900 CFM)  
**EB12** (1200 CFM), **EB15** (1500 CFM)

In-Line (inside, attic or other space):  
**ILB3** (280 CFM), **ILB6** (600 CFM)  
**ILB9** (800 CFM), **ILB11** (1100 CFM)

**Blowers for PIK33D**  
 Internal:  
**P8D** (850 CFM)  
 Exterior:  
**EB12** (1200 CFM), **EB15** (1500 CFM)



For installation guidelines and product details see pages 54 – 58.

Model	Width	Blower	CFM	Finish
PIK	33-3/4", 45-3/4"	INT. ♦	460, 850	430 Brushed Stainless
		EXT. ♦ (see page 52)	4 In-line 4 Exterior	
PIK33D	33-3/4"	INT. ♦	850 (P8D)	316 Brushed Stainless
		EXT. ♦ (see page 52)	1200, 1500	

♦ Blower purchased separately.  
 430 stainless steel finish is not recommended for installations along saltwater coastal areas.