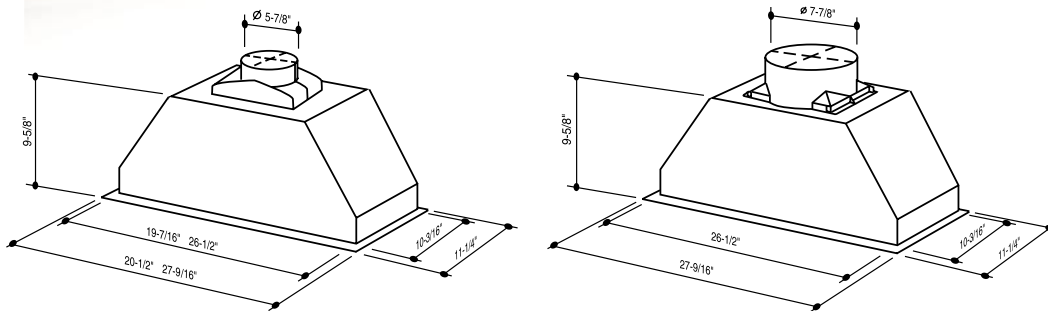


When your sense of style demands that everything has its place, this concealed range hood knows exactly what you mean.



Model	Width	Blower	CFM	Finish
P1951M	20-1/2", 27-9/16"	INT. ■	400	430 Brushed Stainless, Black, White
P1952M	27-9/16"	INT. ■	800	430 Brushed Stainless, Black, White

■ Blower included.

430 stainless steel finish is not recommended for installations along saltwater coastal areas.

For installation guidelines and product details see pages 54 – 58.

## P195

Flush-mount, under-cabinet design in brushed stainless, black or white finishes

Quiet, efficient internal blower with HVI certified performance (see p. 52)

Three-speed push-button control

To protect cabinetry, use with optional Best® by Broan custom hood liners (see p. 51)

Drop-down panel provides access to dishwasher-safe stainless steel/aluminum mesh filters

Brilliant dual halogen lighting

Add the ambient light panel for extra drama when using the optional Best® by Broan liners (see p. 51)

Heat Sentry™ is a smart feature that detects excessive heat and adjusts speed to high automatically

Charcoal filter kits are available for the P1951M when recirculating air into the kitchen is desired (ductwork required – see p. 53)



Push-button control provides convenient operation of blower and lights



Adjustable liners ensure a perfect fit in custom enclosures. See page 51.

### Power Pack & Liner Selection Guide

1. Select a Power Pack
  - P1951 (20 1/2" or 27 9/16" widths)
  - Internal 400 CFM blower included
  - P1952 (27 9/16" width)
  - Internal 800 CFM blower included

Both feature an 11 3/4" depth

2. Select a Liner
  - For P1951 (20 1/2" width)
  - L5230 30" width

- For P1951 & P1952 (27 9/16" width)
- L7030 30" width
- L7036 36" width
- L7048 48" width