

CHIMNEY HOODS

KER222

Three beautiful metal finishes are surrounded by a polished tubular utensil rail

Powerful yet quiet internal and external blowers with HVI certified performance (see p. 52)

Halogen lamps flood the work surface with light

Quick-release, stainless steel/aluminum mesh filters are dishwasher safe

Side rails remove for installation between cabinets

Electronic controls feature a 10 minute time-delay shut-off and a reminder light for filter maintenance

Heat Sentry™ is a smart feature that detects excessive heat and adjusts speed to high automatically

Telescopic flue for 8' to 9' ceilings – Custom extensions available (see p. 50)

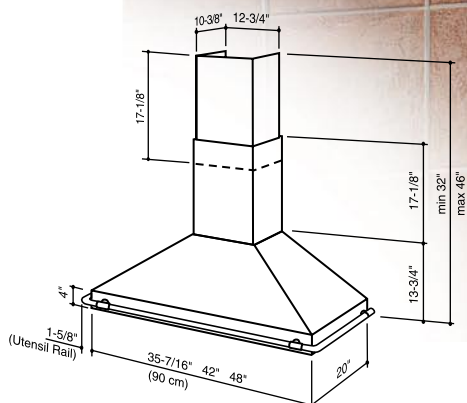


Two brilliant halogen lights come with the 35-7/16" wide model; four with 42" and 48" models.



Four blower speed levels are accessible with advanced touch control pushbuttons.

Some things simply demand to be used everyday. They work hard, clean easily, and even lend a hand when it's needed most.



For installation guidelines and product details see pages 54 – 58.

Model	Width	Blower	CFM	Finish
KER222	35-7/16", 42", 48"	INT. ■	1000	304 Brushed Stainless w/chrome rail; Polished Brass, Brushed Copper w/brass rail
KEX222	35-7/16", 42", 48"	EXT. ♦ (see page 52)	4 In-line 4 Exterior	304 Brushed Stainless w/chrome rail

■ Blower included. ♦ Blower purchased separately.