

CHIMNEY HOODS

K8087

Ultra-thin, hand formed design, finished in brushed stainless

Powerful yet quiet internal and external blowers with HVI certified performance (see p. 52)

Brilliant two-level lighting from two halogen lamps

Elegant 4-speed push-button electronic control

10 minute time-delay shut-off feature and reminder light for filter maintenance

Heat Sentry™ is a smart feature that detects excessive heat and adjusts speed to high automatically

Ducted/non-ducted telescopic flue for 8' to 9' ceilings – Custom extensions available (see p. 50)



Translucent touch controls indicate selection.

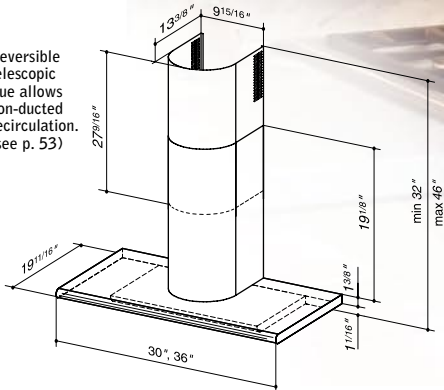


Quick release stainless steel/aluminum filter is dishwasher safe.

With flowing lines that appear sculpted from a single block of stainless steel, this strong and graceful hood creates a striking focal point in any kitchen.



Reversible telescopic flue allows non-ducted recirculation. (see p. 53)



Model	Width	Blower	CFM	Finish
K8087	30", 36"	INT. ■	450	304 Brushed Stainless
KEX8087	36"	EXT. ♦ (see page 52)	4 In-line 4 Exterior	304 Brushed Stainless

■ Blower included. ♦ Blower purchased separately.

For installation guidelines and product details see pages 54 – 58.