

Professional capability blended with contemporary accents make this range hood as pleasing to admire as it is to use.



ISER222

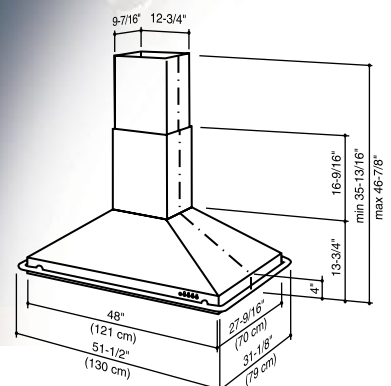
- Elegant canopy design is accented with a tubular, polished utensil rail
- Three beautiful metal finishes, and two durable powder coated colors
- Powerful yet quiet, internal and external blowers with HVI certified performance (see p. 52)
- Quick-release, stainless steel/aluminum mesh filters are dishwasher safe
- Four brilliant halogen lamps with two-level lighting
- Electronic controls include a 10 minute time-delay shut-off feature and a reminder light for filter maintenance
- Heat Sentry™ is a smart feature that detects excessive heat and adjusts speed to high automatically
- Telescopic flue for 8' to 9' ceilings – Custom extensions available (see p. 50)



The wrap-around utensil rail is a stylish and functional detail. A chrome utensil rail comes with the stainless steel finish. A polished brass utensil rail comes with all other finishes.



Four blower speed levels are accessible with advanced touch control.



Model	Dimensions	Blower	CFM	Finish
ISER222	51-1/2" width 31-1/8" depth	INT. ■	1000	304 Brushed Stainless, Black, White, Polished Brass, Brushed Copper
1EX222	51-1/2" width 31-1/8" depth	EXT. ♦ (see page 52)	4 In-line 4 Exterior	304 Brushed Stainless

■ Blower included. ♦ Blower purchased separately.

For installation guidelines and product details see pages 54 – 58.