

ISLAND HOODS

At times the most simple designs are the most inspirational. This is the kind of range hood that inspires many to say, "Now that's perfect."

IS102

Graceful, hand-rolled surfaces in brushed stainless finishes

Stylish, integral utensil rail

Powerful yet quiet internal and external blowers with HVI certified performance (see p. 52)

Quick release stainless steel/aluminum mesh filters are dishwasher safe

Brilliant halogen lighting system

Multi-speed slide control

Heat Sentry™ is a smart feature that detects excessive heat and adjusts speed to high automatically

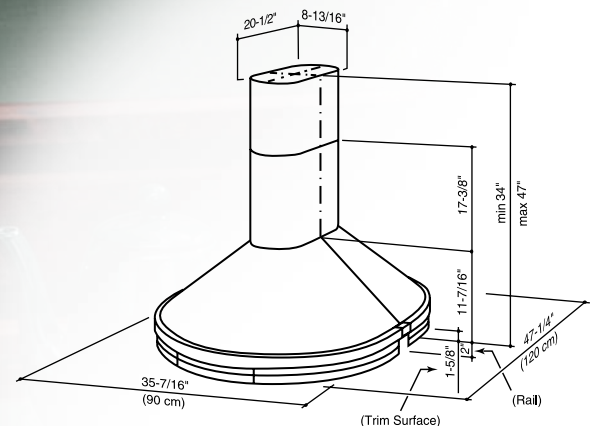
Telescopic flue for 8' to 9' ceilings, custom extensions available (see p. 50)



Slide control permits precise speed selection and remembers the last setting.



Four halogen lamps distribute light evenly across the work surface.



For installation guidelines and product details see pages 54 – 58.

Model	Dimensions	Blower	CFM	Finish
IS102	47-1/4" width 35-7/16" depth	INT. ■	1000	304 Brushed Stainless
IEX102	47-1/4" width 35-7/16" depth	EXT. ♦ (see page 52)	4 In-line 4 Exterior	304 Brushed Stainless

- Blower included.
- ♦ Blower purchased separately.