

There when you need it, hidden when it's not. With a single touch, this unique range hood rises and retracts gracefully.



**DD01**

Exceptional appearance in a sleek, retractable design for professional-grade performance

Finished in brushed stainless

Chimney raises over 9-1/2" at the touch of a button

Powerful yet quiet internal and external blowers with HVI certified performance (see p. 52) are hidden below the down-draft chimney

Electronic multi-speed control includes a 10 minute time-delay shut-off, and a reminder light for filter maintenance

Remote control included to operate Downdraft from another location

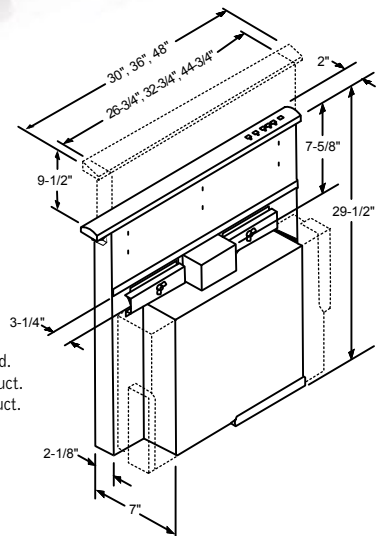
Heat Sentry™ is a smart feature that detects excessive heat and adjusts speed to high automatically



Attractive polished stainless steel/aluminum mesh filters are dishwasher-safe.



Stylish touch-button control provides 3-speed operation.



Exhaust flexibility allows blower connections to be ducted left, right or downward. DD01 requires 3-1/4" x 10" duct. DDEX requires 3-1/4" x 14" duct.

Model	Width	Blower	CFM	Finish
DD01	30", 36", 48"	INT. ■	500	304 Brushed Stainless
DDEX	30", 36", 48"	EXT. ♦ (see page 52)	4 In-line 4 Exterior	304 Brushed Stainless

■ Blower included. ♦ Blower purchased separately.

For installation guidelines and product details see pages 54 – 58.