



Powered by the exclusive iQ Blower System™ with GPS Technology (see page 62) for the quietest, most energy efficient and fastest smoke and odor removal available in a range hood; external blowers offered separately.

Bright Halogen lighting floods the cooktop and surrounding area for clear visibility.

Mesh lined Hi-Flow™ baffle filters provide superior grease capture to ensure a clean, fresh kitchen.

Heat Sentry™ detects excessive heat and adjusts blower to high automatically.

Works with optional Universal Make-Up Air Dampers.

Model Numbers:

IPB9IQT48SB

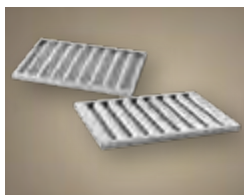
IPB9E48SB



Three-speed, plus boost, electronic controls include 10-minute delay-off and filter clean reminder.



Four Halogen lamps brightly illuminate the cooktop.



Hi-Flow™ baffle filters utilize a V-mesh & baffle design to increase airflow, decrease sound levels and provide excellent ventilation efficiency.



Optional ACR3 remote control lets the busy cook stay in control from anywhere in the kitchen.

Hood Sizes

Width	48"
Depth	27"

Finish

Stocked	Brushed Stainless Steel
Special Order	Not Available

Features

Lighting Type	Halogen, T4, G9, 25-watt
Number of Lamps	4
Lighting Levels	2
Lighting Lamps Included	Yes
Control Type	3-speed Plus Boost Electronic Pushbutton with Display
Control Features	Heat Sentry™, Delay Off, Filter Clean Reminder
Remote Control	Optional ACR3
Filter Type	Hi-Flow™ Baffle Filter
Non-ducted Capability	No

Hood Blower Included (IPB9IQ)

Internal	iQ12
Blower CFM	1200
Sones Low/High	0.3/11.0

Hood Blower Options (IPB9E blowers sold separately)

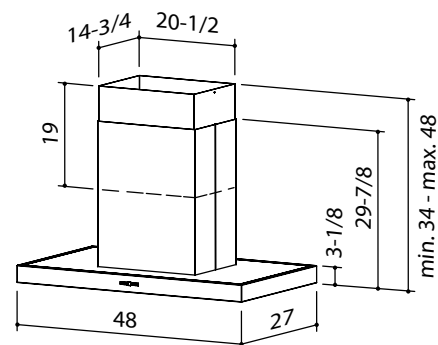
External In-line	ILB3	ILB6	ILB9	ILB11
Max CFM	280	600	800	1100
Sone levels are typically half of comparable CFM internal blowers.				
External Exterior	EB6	EB9	EB12	EB15
Max CFM	600	900	1200	1500
Sone levels are typically half of comparable CFM internal blowers.				

Accessories

10'-11' Flue Extension (ducted)	AEIPB9SB
Universal MUA Damper	MD6TU, MD8TU, MD10TU (Requires Fresh Air Inlet)
Fresh Air Inlet	641FA, 643FA, 610FA

Installation Requirements

Amps @ 120V: Internal Blower	8.5
Amps @ 120V: External Blower	7.0 Max
Electrical	Direct Wire
Duct Size: Internal Blower	10"
Duct Size: External Blower	10" (at hood)
Duct Direction	Vertical
Backdraft Damper	Included



Installation height above the cooking surface: 24"-36"

Telescopic flue for 8'-9' ceiling is standard. Optional flue extensions for 10'-11' ceiling

For more details see the product specifications sheet found at www.BESTRangeHoods.com

