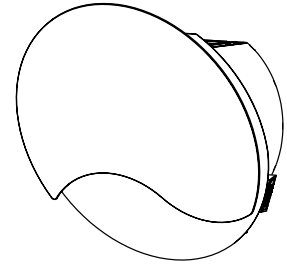


FUSION WM43I80SB RANGE HOOD



FUSION truly represents its name. Just as the sky meets the horizon or the wind pushes a wave, **FUSION** has a mirror-like finish meeting brushed stainless. An optional flue cover gives you a completely different look. This hood is like nothing you've ever seen before. **FUSION** is designer-chic. Italian inspired.

FEATURES

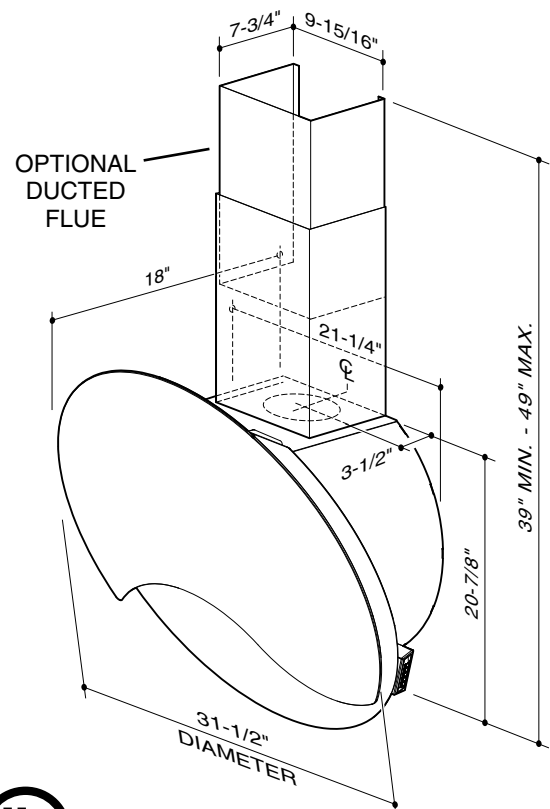
- Italian design
- Wall mount
- Finishes: Stainless Steel, mirror glass
- Width: 80 cm (31-1/2")
- Ducted & non-ducted
- 6" round duct connector/backdraft damper (for use when ducted)
- Telescopic flue accommodates 8' to 9' ceilings (Purchase duct flue kit separately.)
- 2-level, halogen lighting (2 bulbs included. Type T4, G9 base, 120 volt, 25 watts max.)
- 4-speed electronic blower control with lighted speed indicator
- Quiet, variable-speed centrifugal blower with high-efficiency motor produces 490 CFM of exhaust
- Heat Sentry™ - automatically turns blower to high speed when excess cooking heat is detected
- Dishwasher-safe filter features a quick-release latch
- Delay timer control automatically shuts off range hood after 10 minutes
- Filter clean reminder
- For indoor use only

OPTIONS

- Ducted flue kit (Model AEWM43SB)
- Replacement charcoal filters available (Model FILTEREB40)

SPECIFICATIONS

VOLTS	HZ	AMPS	CFM		SONES		DUCT
			MAX.	NORM.	MAX.	NORM.	
120	60	3.12	490	220	7.5	2.0	6" round

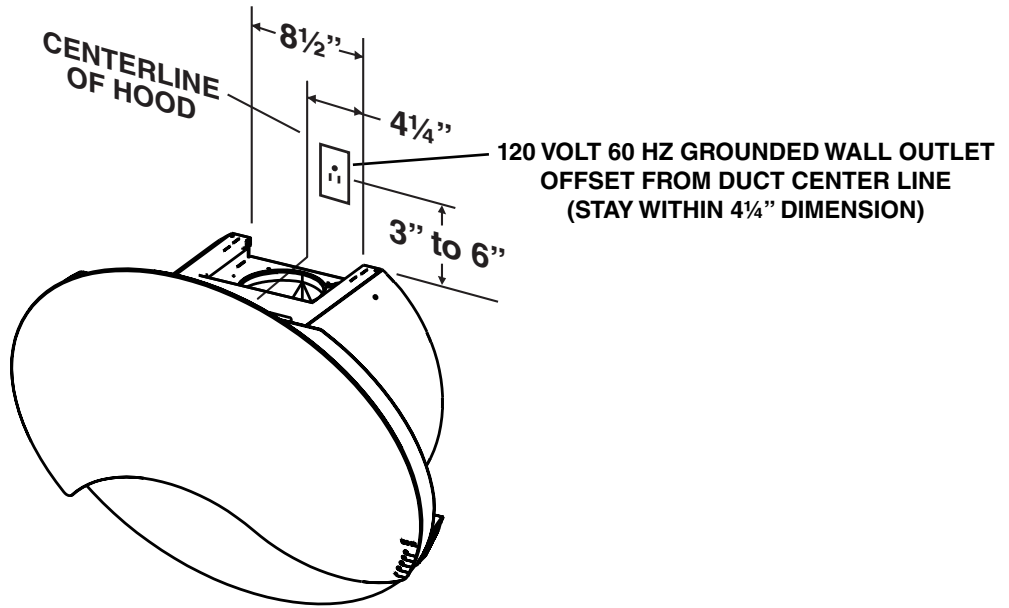


HVI-2100 CERTIFIED RATINGS comply with new testing technologies and procedures prescribed by the Home Ventilating Institute, for off-the-shelf products, as they are available to consumers. Product performance is rated at 0.1 in. static pressure, based on tests conducted in a state-of-the-art test laboratory. Sones are a measure of humanly-perceived loudness, based on laboratory measurements.

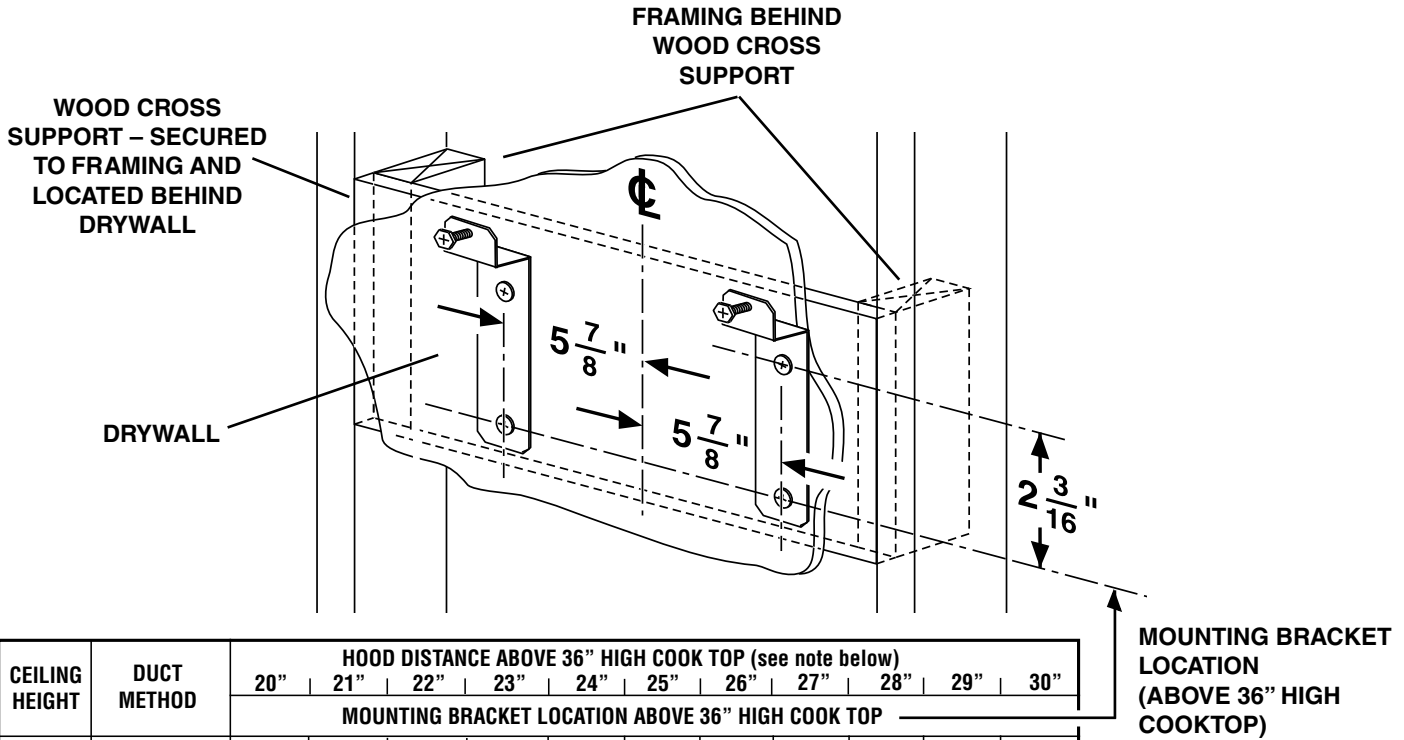
BEST Hartford, Wisconsin www.BestRangeHoods.com 800-558-1711
BEST Drummondville, QC, Canada www.BestRangeHoods.com 866-737-7770

REFERENCE	QTY.	REMARKS	Project
			Location
			Architect
			Engineer
			Contractor
			Submitted by
			Date

WM43I80SB WIRING



WM43I80SB MOUNTING



Note : Minimum hood distance above cook top must not be less than 20". A maximum of 30" above cook top is highly recommended for best capture of cooking impurities. Distances over 30" are at the installer and user's discretion; and if ceiling height and flue length permit.

* Ducted installations require purchase of flue kit Model AEWM43SB.

