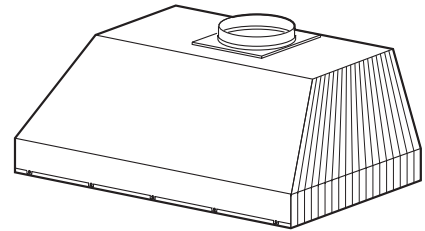


CP47I SERIES RANGE HOODS



All-in-one design includes liner, blower, filtration, controls, lighting, and damper for easy installation into custom canopy hoods. Intended for all residential applications, including commercial-style cooking surfaces.

FEATURES

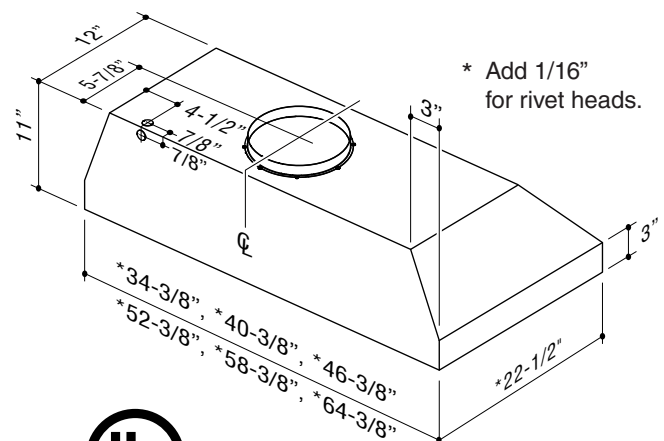
- Cabinet mount - custom applications
- Finish: 430 Stainless Steel #4 Brushed
- Width: 34-3/8", 40-3/8", 46-3/8", 52-3/8", 58-3/8", 64-3/8"
- Depth: 22-1/2"
- 10" round duct connector with backdraft damper
- Four-setting cooktop lighting (Uses 50W, GU10 halogen lamps. Bulbs included. 2 lamps on 34-3/8" wide hood, 4 lamps on all other hood widths.)
- Easily accessible, dishwasher safe stainless steel Evolution™ baffle filters with handles
- 4-speed electronic blower control with LinkLogic® enabled technology
- Powerful, centrifugal blower with high-efficiency motor produces 1000-1110 CFM
- Quiet operation
- Heat Sentry™ - automatically turns blower to high speed when excess cooking heat is detected
- Delay timer control automatically shuts off range hood after 10 minutes
- Special control indicates when it's time to clean the filter
- For indoor use only

SPECIFICATIONS

MODEL NO.	VOLTS	AMPS	CFM / SONES (High Speed)	CFM / SONES (Low Speed)	DUCT
CP47I362SB	120	6.5	1000 / 12.0	370 / 1.5	10" round
CP47I422SB	120	7.0	1000 / 12.0	370 / 1.5	10" round
CP47I482SB	120	7.0	1080 / 10.5	410 / 1.5	10" round
CP47I542SB	120	7.0	1110 / 10.5	420 / 1.5	10" round
CP47I602SB	120	7.0	1110 / 10.5	420 / 1.5	10" round
CP47I662SB	120	7.0	1110 / 10.5	420 / 1.5	10" round

OPTIONS

- Non-ducted kit
 - ANKCP4742 (40-3/8" width only)
 - ANKCP4748 (46-3/8" width only)
 - ANKCP4760 (58-3/8" width only)
 - Charcoal filters included
- Replacement charcoal filters:
 - AFCCP4742 (40-3/8" width only)
 - AFCCP4748 (46-3/8" width only)
 - AFCCP4760 (58-3/8" width only)



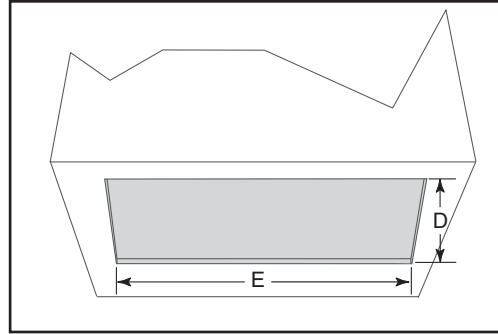
HVI-2100 CERTIFIED RATINGS comply with new testing technologies and procedures prescribed by the Home Ventilating Institute, for off-the-shelf products, as they are available to consumers. Product performance is rated at 0.1 in. static pressure, based on tests conducted in a state-of-the-art test laboratory. Sones are a measure of humanly-perceived loudness, based on laboratory measurements.

BEST Hartford, Wisconsin www.BestRangeHoods.com 800-558-1711
 BEST Mississauga, Ontario www.BestRangeHoods.com 877-896-1119

REFERENCE	QTY.	REMARKS	Project
			Location
			Architect
			Engineer
			Contractor
			Submitted by Date

To minimize the gap around the power pack, take actual width and depth measurements of power pack and add 1/16" to get D and E measurements. Cut the hole in the bottom of the cabinet according to dimensions. See chart and illustration for details.

POWER PACK		CUTOUT DIMENSIONS	
SERIES	WIDTH	D	E
CP47I	36"	22 $\frac{5}{8}$ "	34 $\frac{1}{2}$ "
	42"	22 $\frac{5}{8}$ "	40 $\frac{1}{2}$ "
	48"	22 $\frac{5}{8}$ "	46 $\frac{1}{2}$ "
	54"	22 $\frac{5}{8}$ "	42 $\frac{1}{2}$ "
	60"	22 $\frac{5}{8}$ "	58 $\frac{1}{2}$ "
	66"	22 $\frac{5}{8}$ "	64 $\frac{1}{2}$ "



CP47I SERIES HOOD SYSTEM

