



Heat Sentry™ detects excessive heat and adjusts speed to high automatically.

Bright halogen lighting floods the cooktop and surrounding area for clear visibility.

Control features 5-minute delay-off and reminder light for filter cleaning.

Works with optional Automatic Make-Up Air Dampers.

Model Numbers:

WTT32I330SB	WTT32I336SB	WTT32I342SB	
WTT32I30SB	WTT32I36SB	WTT32I42SB	WTT32I48SB



Four-speed electronic pushbutton control provides full range of operation.



Quick-release stainless steel with mesh grease filter is dishwasher safe.

Hood Sizes

Internal P3 and P6 Blower Widths	30", 36", 42"
Internal P12 Blower Widths	48"
Depth	22"

Finish

Stocked	Brushed Stainless Steel (Grade 430)
Special Order	Not Available

Features

Lighting Type	Halogen 50W, GU10
Number of Lamps	2 on 30", 36" 3 on 42", 48"
Lighting Levels	3
Lighting Lamps Included	Yes
Control Type	4-speed Electronic Pushbutton
Control Features	Heat Sentry™, Delay Off, Filter Clean Reminder
Remote Control	Not Available
Filter Type	Stainless Steel with Mesh Grease Filter
Non-ducted Capability	Yes for 30", 36" and 42"

Hood Blower Included (WTT32I-P6, WTT32I3-P3)

Internal			
Max Blower CFM*	400	675	1275
Sones Normal Setting**	0.8	1.2	2.0

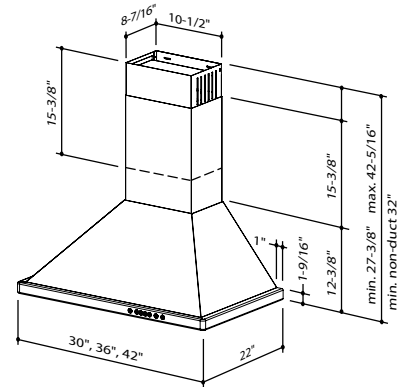
*MAX Blower CFM indicates the performance of the hood blower in open air.
 **Normal setting corresponds to speed 1.

Accessories

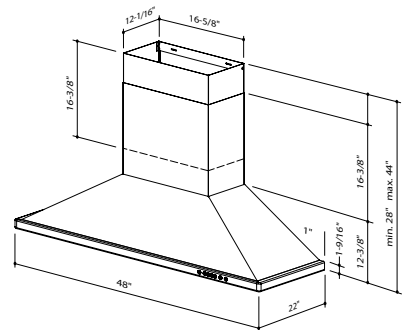
10' Flue Extension	AEWTT32SB for 30", 36", 42" AEWTT328SB for 48"
Non-Duct Recirculating Kit	ANKWTT320 for 30"; ANKWTT326 for 36" & 42"
Non-Duct Filter	AFCWTT32 for 30" AFCWTT326 for 36"
Automatic MUA Damper	MD6T, MD8T, MD10T (Requires Fresh Air Inlet)
Fresh Air Inlet	641FA, 643FA, 610FA

Installation Requirements

Amps @ 120V	4.5 (30", 36"), 5.0 (42"), 7.5 (48")
Electrical Connection	Plug In
Duct Size	Internal 600 CFM Blower: 8" Internal 1200 CFM Blower: 10"
Duct Direction	Vertical
Backdraft Damper	Included



Reversible telescopic flue allows non-ducted recirculation (see page 69).



Installation height above the cooking surface: 24"-30"

Telescopic flue for 8'-9" ceiling is standard. Optional flue extensions for 10' ceiling

For more details or HVI rated performance for this model see the product specifications sheet found at www.BESTRangeHoods.com



Performance is a beautiful thing.

It can be subtle or bold. It can take months or years to hone.
Then impress you in an instant.

A great performance gives the audience exactly what they want and more than they ever imagined. And it inspires everyone and everything around it to be better.

At **BEST**, we make high performance range hoods that perform beautifully. Astonishingly quiet. Impressively effective. Remarkably efficient. And perfectly suited for the most distinguished kitchens.

Whether it's the centerpiece of the room or letting its surroundings shine, **BEST** is where high-end performance inspires.

best[®]

PERFORMANCE THAT INSPIRES