



Powered by the exclusive iQ Blower System™ with GPS Technology (see page 58) for the quietest, most energy efficient and fastest smoke and odor removal available in a range hood; external blowers offered separately.

Bright Halogen lighting floods the cooktop and surrounding area for clear visibility.

Mesh lined Hi-Flow baffle filters provide superior grease capture to ensure a clean, fresh kitchen.

Heat Sentry™ detects excessive heat and adjusts blower to high automatically.

Works with optional Universal Make-Up Air Dampers.

**Model Numbers:**

IPB9IQT48SB      IPB9E48SB



Three-speed, plus boost, electronic controls include 10-minute delay-off and filter clean reminder.



Four Halogen lamps brightly illuminate the cooktop.



Hi-Flow baffle filters utilize a V-mesh & baffle design to increase airflow, decrease sound levels and provide excellent ventilation efficiency.



Optional ACR3 remote control lets the busy cook stay in control from anywhere in the kitchen.

**Hood Sizes**

<b>Width</b>	<b>48"</b>
<b>Depth</b>	<b>27"</b>
<b>Finish</b>	
Stocked	Brushed Stainless Steel (Grade 430)
Special Order	Not Available

**Features**

Lighting Type	Halogen, T4, G9, 25-watt
Number of Lamps	4
Lighting Levels	2
Lighting Lamps Included	Yes
Control Type	3-speed Plus Boost Electronic Pushbutton with Display
Control Features	Heat Sentry™, Delay Off, Filter Clean Reminder
Remote Control	Optional ACR3
Filter Type	Hi-Flow Baffle Filter
Non-ducted Capability	No

**Hood Blower Included (IPB9IQ)**

<b>Internal</b>	<b>iQ12</b>
Max Blower CFM*	1500
Sones Normal Setting**	0.6

\*MAX Blower CFM indicates the performance of the hood blower in open air.  
\*\*Normal setting corresponds to speed 1.

**Hood Blower Options (IPB9E blowers sold separately)**

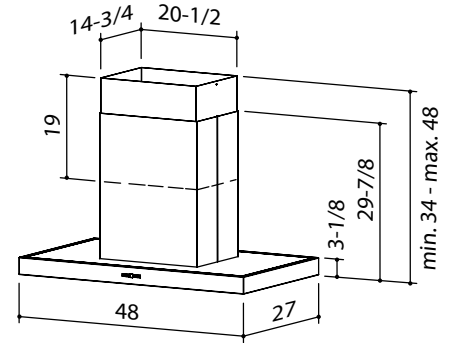
<b>External In-line</b>	<b>ILB3</b>	<b>ILB6</b>	<b>ILB9</b>	<b>ILB11</b>
Max CFM	300	675	900	1500
Some levels are typically half of comparable CFM internal blowers.				
<b>External Exterior</b>	<b>EB6</b>	<b>EB9</b>	<b>EB12</b>	<b>EB15</b>
Max CFM	665	890	1300	1650
Some levels are typically half of comparable CFM internal blowers.				

**Accessories**

10'-11' Flue Extension (ducted)	AEIPB9SB
Universal MUA Damper	MD6TU, MD8TU, MD10TU (Requires Fresh Air Inlet)
Fresh Air Inlet	641FA, 643FA, 610FA

**Installation Requirements**

Amps @ 120V: Internal Blower	8.5
Amps @ 120V: External Blower	7.0 Max
Electrical Connection	Direct Wire
Duct Size: Internal Blower	10"
Duct Size: External Blower	10" (at hood)
Duct Direction	Vertical
Backdraft Damper	Included



Installation height above the cooking surface: 24"-36"

Telescopic flue for 8'-9' ceiling is standard. Optional flue extensions for 10'-11' ceiling

For more details or HVI rated performance for this model see the product specifications sheet found at [www.BESTRangeHoods.com](http://www.BESTRangeHoods.com)



**Performance is a beautiful thing.**

It can be subtle or bold. It can take months or years to hone.  
Then impress you in an instant.

A great performance gives the audience exactly what they want and more than they ever imagined. And it inspires everyone and everything around it to be better.

At **BEST**, we make high performance range hoods that perform beautifully. Astonishingly quiet. Impressively effective. Remarkably efficient. And perfectly suited for the most distinguished kitchens.

Whether it's the centerpiece of the room or letting its surroundings shine, **BEST** is where high-end performance inspires.

**best**<sup>®</sup>

**PERFORMANCE THAT INSPIRES**