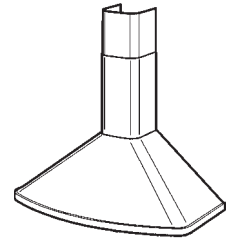


# K3139 SERIES RANGE HOODS



Traditional Italian style and a soft-radius design beautifully merge to create a hand-rolled masterpiece.

### FEATURES

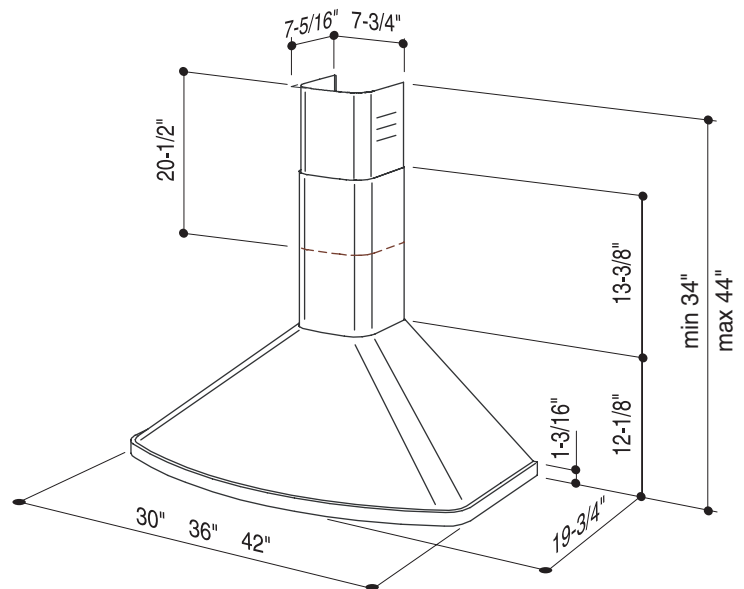
- Italian design
- Wall mount
- Finishes: 430 Stainless Steel #4 Brushed, White, Black
- Widths: 30", 36", 42"
- Ducted/non-ducted telescopic flue accommodates 8' to 9' ceilings
- 6" round duct connector/backdraft damper
- Halogen lighting (2 bulbs included. Type GU10, MR16 shielded, 120 volt, 50 watts max.)
- Multispeed push-button controls feature an "On" indicator
- Quiet, variable-speed centrifugal blower with high-efficiency motor produces 400 CFM of exhaust
- Can be ducted to the outside or non-ducted for indoor recirculation (purchase recirculation kit separately)
- Dishwasher-safe filter features a quick-release latch and decorative cover plate
- Heat Sentry™ - automatically turns blower to high speed when excess cooking heat is detected
- For indoor use only

### OPTIONS

- Backsplash available (Contact Broan Technical Support)
- Non-ducted recirculation kit (Model NDK3139)
- Replacement charcoal filters available (Model FILTEREB40)
- Flue extension for 10' ceiling (for ducted applications) (35" long) (Model FEXTK3139 in Stainless Steel, White, Black)

### SPECIFICATIONS

VOLTS	AMPS	CFM	SONES	DUCT
120	3.03	400	6.0	6" round



Mount range hood so bottom of hood is 24" minimum above cooking surface.

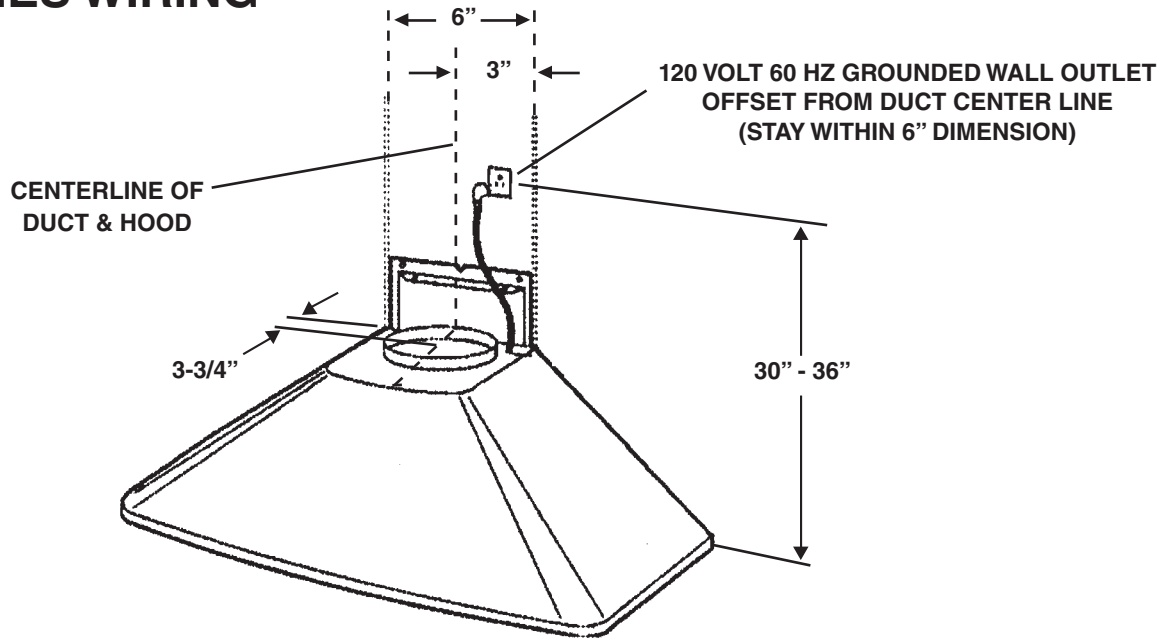


HVI-2100 CERTIFIED RATINGS comply with new testing technologies and procedures prescribed by the Home Ventilating Institute, for off-the-shelf products, as they are available to consumers. Product performance is rated at 0.1 in. static pressure, based on tests conducted in a state-of-the-art test laboratory. Sones are a measure of humanly-perceived loudness, based on laboratory measurements.

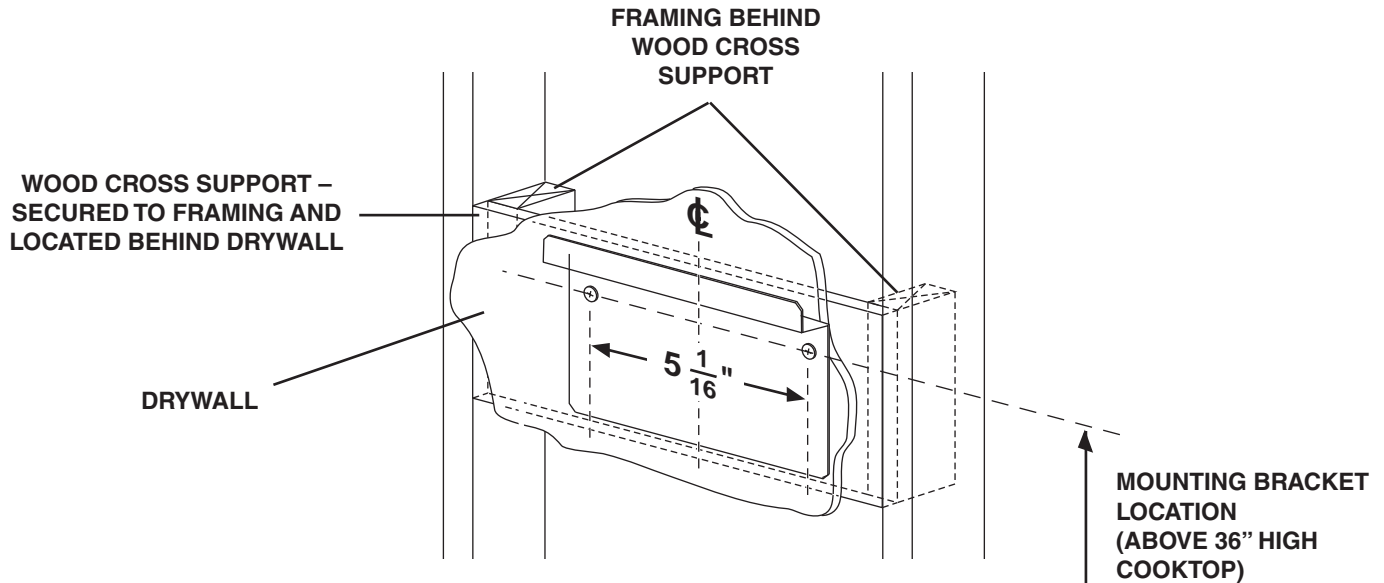
BEST Hartford, Wisconsin [www.BestRangeHoods.com](http://www.BestRangeHoods.com) 800-558-1711  
 BEST Drummondville, QC, Canada [www.BestRangeHoods.com](http://www.BestRangeHoods.com) 866-737-7770

REFERENCE	QTY.	REMARKS	Project
			Location
			Architect
			Engineer
			Contractor
			Submitted by <span style="float: right;">Date</span>

# K3139 SERIES WIRING



# K3139 SERIES MOUNTING



CEILING HEIGHT	DUCT METHOD	MOUNTING DISTANCE ABOVE 36" HIGH COOKTOP (SEE NOTE BELOW)						
		24"	25"	26"	27"	28"	29"	30"
8 FEET	DUCTED OR NONDUCTED	37-7/8"	38-7/8"	39-7/8"				
9 FEET	DUCTED OR NONDUCTED					41-7/8"	42-7/8"	43-7/8"
10 FEET	DUCTED WITH FEXTK3139			39-7/8"	40-7/8"	41-7/8"	42-7/8"	43-7/8"

**NOTE:** Minimum hood distance above cooktop must not be less than 24".  
A maximum of 30" above the cooktop is highly recommended for best capture of cooking impurities.  
Distances over 30" are at the installer and users' discretion; and if ceiling height and flue length permit.

