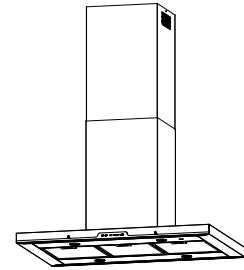


ECLISSE ISLAND IC34IQ SERIES RANGE HOOD



The common made uncommon. Eclisse Island can be a powerful statement from one angle, but nearly disappear from another. This is a unique “brick” design that makes it most attractive and exclusive.

FEATURES

- Italian design
- Ceiling mounted island hood
- Finishes: 430 Stainless Steel, no. 4 Brushed
- Max blower airflow: 800 CFM*
- 120 V, 60 Hz, 4.5 Amps
- Width: 39-3/8-in. Depth: 27-5/8-in.
- Ducted/non-ducted telescopic flue accommodates 8' to 9' ceilings (Purchase non-duct recirculation kit separately.)
- 8" round duct connector/backdraft damper
- 1-level LED lighting (4 LED modules, 6 Watts each)
- Four-speed electronic pushbutton control with LED indicator
- Quiet iQ6 blower system with high-efficiency BLDC motor
- Heat Sentry™ - automatically turns blower to high speed when excess cooking heat is detected
- Delay timer control automatically shuts off range hood after 10 minutes
- Special control indicates when it's time to clean the filter
- Dishwasher-safe filter features a quick-release latch
- For indoor use only

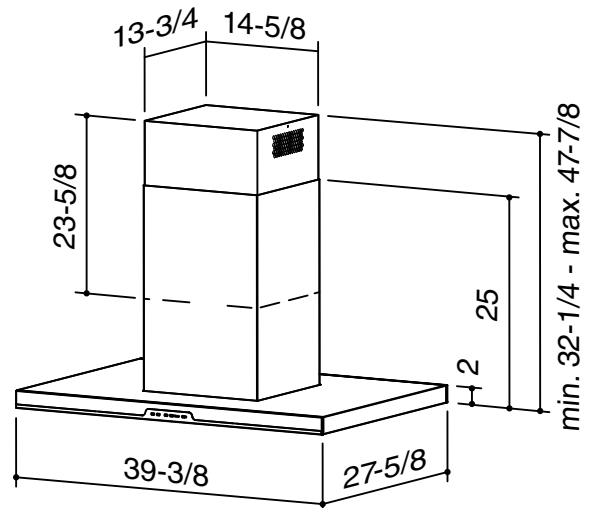
OPTIONS (Not included with hood. Purchase separately.)

- Non-ducted recirculation kit (Model ANKIC34)
- Charcoal filters (Model AFCWC345)
- Flue extension for 10-ft. to 11-ft. ceilings (ducted Model AEIC34SB), (non-ducted Model AEIC34SBN), stainless steel
- Remote control (Model ACR3)
- Universal Make-Up Air Damper (Models MD6TU, MD8TU, MD10TU)

See next page for blower performances.

iQ6 - 600 CFM Blower System providing:

- Best in class quiet operation.
- Up to 30% faster smoke and odor removal than comparable models.
- Up to 22x more energy efficient than comparable models.
- Guaranteed Performance System (GPS) technology calibrates the hood system to every installation to provide up to 30% more CFM than standard range hoods.
- Using a duct reducer with this hood may prevent the product from calibrating.



HVI-2100 CERTIFIED RATINGS comply with new testing technologies and procedures prescribed by the Home Ventilating Institute, for off-the-shelf products, as they are available to consumers. Product performance is rated at 0.1 in. static pressure, based on tests conducted in AMCA's state-of-the-art test laboratory. Sones are a measure of humanly-perceived loudness, based on laboratory measurements.

* Where noted performance rating is not HVI certified but was established in accordance with HVI Standardized test procedure.

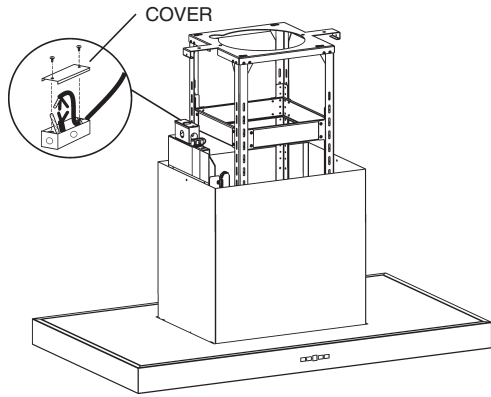


BEST Hartford, Wisconsin www.bestrangehoods.com 800-558-1711

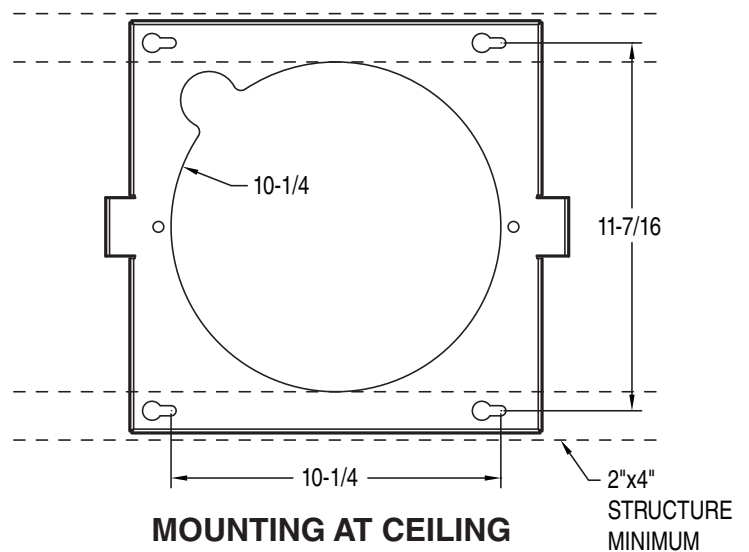
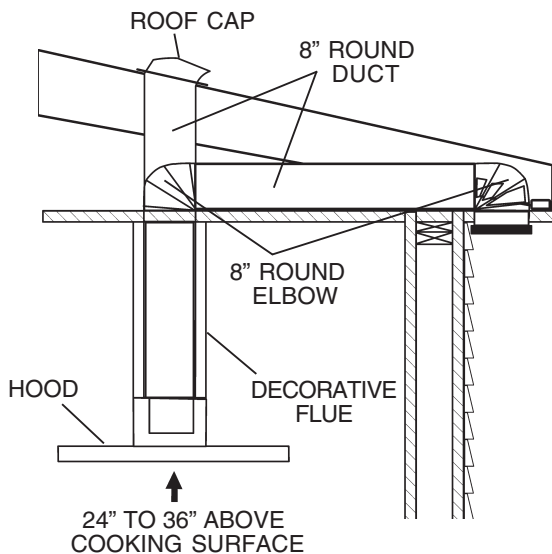
REFERENCE	QTY.	REMARKS	Project
			Location
			Architect
			Engineer
			Contractor
			Submitted by
			Date

HVI PERFORMANCE										
Duct Orientation	Size	Sones				CFM				
		Normal	Medium*	High*	Boost	Normal	Medium*	High*	Boost 0.25 in. w.g.	Boost 0.1 in. w.g.
Round - Vertical	8 in.	<0.3	--	--	10.5	120	270	440	570	600

IC34IQ SERIES WIRING



IC34IQ SERIES MOUNTING



CEILING HEIGHT	DUCT METHOD	HOOD DISTANCE ABOVE 36" HIGH COOK TOP (see notes below)													
		24"	25"	26"	27"	28"	29"	30"	31"	32"	33"	34"	35"	36"	
8 FEET	Ducted	X	X	X	X	---	---	---	---	---	---	---	---	---	
	Non-Ducted	X	X	X	X	---	---	---	---	---	---	---	---	---	
9 FEET	Ducted	---	X*	X*	X*	X*	X	X	X	X	X	X	X	X	
	Non-Ducted	---	X	X	X	X	X	X	X	X	X	X	X	X	
10 FEET (see note b.)	Ducted	X	X	X	X	X	X	X	X	X	X	X	X	X	
11 FEET (see note b.)	Ducted	---	---	---	---	---	---	---	---	X	X	X	X	X	

X Mounting height is possible.

X* Mounting height is possible, but non-duct opening exposed.

--- Mounting height is not possible.

a. Minimum hood distance above cook top must not be less than 24". A maximum of 36" above cook top is highly recommended for best capture of cooking impurities. Distances over 36" are at the installer and user's discretion; and if ceiling height and flue length permit.

b. Requires optional 10-ft. to 11-ft. flue extension, ducted model AEIC34SB or non-ducted model AEIC34SBN.

