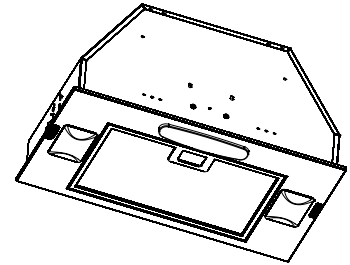


# MODEL P195ES52SB POWER PACK



**ENERGY STAR® efficiency for custom applications provides the ventilation and lighting you need in one integrated package.**

**FEATURES**

- 3-speed control
- Centrifugal blower, 290 CFM, 5.0 Sones
- 6" round duct connector/backdraft damper
- Enclosed light
- Two 13Watt, G24Q-1 compact fluorescent lamps (included)
- One piece washable aluminum mesh filter
- 430 stainless steel finish
- Heat Sentry™ automatically turns blower to high speed when excess cooking heat is detected
- Fully enclosed bottom
- Power supply cord included
- One Year Limited Warranty
- For indoor use only

**OPTIONS**

- Protect cabinet with Model L5230 Stainless Steel Liner
- Recirculation filter Model FILTEREB40

**SPECIFICATIONS**

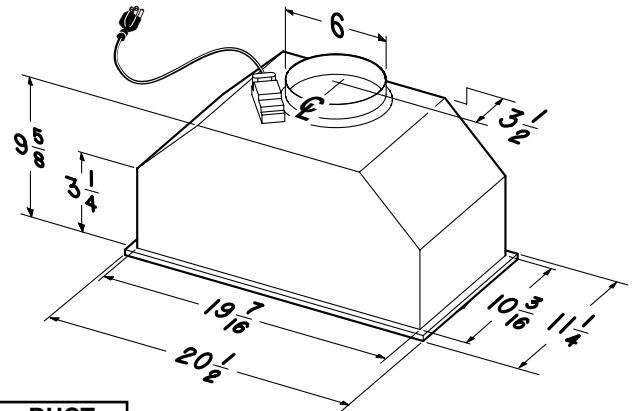
| VOLTS | HZ | AMPS | CFM  |       | SONES |       | DUCT     |
|-------|----|------|------|-------|-------|-------|----------|
|       |    |      | MAX. | NORM. | MAX.  | NORM. |          |
| 120   | 60 | 2.8  | 290  | 120   | 5.0   | 0.5   | 6" round |



HVI-2100 CERTIFIED RATINGS comply with new testing technologies and procedures prescribed by the Home Ventilating Institute, for off-the-shelf products, as they are available to consumers. Product performance is rated at 0.1 in. static pressure, based on tests conducted in a state-of-the-art test laboratory. Sones are a measure of humanly-perceived loudness, based on laboratory measurements.

**TYPICAL SPECIFICATION**

Power Pack shall be Best Model P195ES52SB.  
 Power Pack shall have a 3-speed fan switch and separate light switch.  
 Fan must be ducted and use a washable aluminum mesh filter.  
 Unit shall have a 430 stainless steel finish.  
 Air delivery to be at least 290 CFM and sound levels not greater than 5.0 Sones.  
 Unit shall be UL and cUL listed.  
 Air and sound ratings to be certified by HVI.  
 Unit shall be ENERGY STAR® certified.



BEST® Hartford, Wisconsin www.BestRangeHoods.com 800-558-1711

| REFERENCE | QTY. | REMARKS | Project                                              |
|-----------|------|---------|------------------------------------------------------|
|           |      |         | Location                                             |
|           |      |         | Architect                                            |
|           |      |         | Engineer                                             |
|           |      |         | Contractor                                           |
|           |      |         | Submitted by <span style="float: right;">Date</span> |