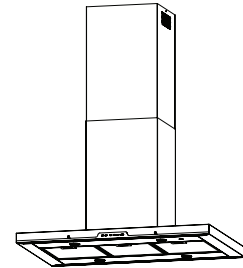


# ECLISSE ISLAND IC34IQ SERIES RANGE HOOD



The common made uncommon. Eclisse Island can be a powerful statement from one angle, but nearly disappear from another. This is a unique “brick” design that makes it most attractive and exclusive.

### FEATURES

- Italian design
- Ceiling mounted island hood
- Finishes: 430 Stainless Steel, #4 Brushed
- Width: 39-3/8-in. Depth: 27-5/8-in.
- Ducted/non-ducted telescopic flue accommodates 8' to 9' ceilings (Purchase non-duct recirculation kit separately.)
- 8" round duct connector/backdraft damper
- 1-level LED lighting (4 LED modules, 6 Watts each)
- Four-speed electronic pushbutton control with LED indicator
- Quiet iQ6 blower system with high-efficiency BLDC motor
- Heat Sentry™ - automatically turns blower to high speed when excess cooking heat is detected
- Delay timer control automatically shuts off range hood after 10 minutes
- Special control indicates when it's time to clean the filter
- Dishwasher-safe filter features a quick-release latch
- For indoor use only

### OPTIONS (Not included with hood. Purchase separately.)

- Non-ducted recirculation kit (Model ANKIC34)
- Charcoal filters (Model AFCWC345)
- Flue extension for 10-ft. to 11-ft. ceilings (ducted Model AEIC34SB), (non-ducted Model AEIC34SBN), stainless steel
- Remote control (Model ACR3)
- Universal Make-Up Air Damper (Models MD6TU, MD8TU, MD10TU)

### SPECIFICATIONS

VOLTS	AMPS	CFM / SONES (Boost)	CFM (High Speed)	CFM (Med. Speed)	CFM / SONES (Low Speed)	DUCT
120	4.5	500 / 8.0	440	270	120 / <0.3	8" round

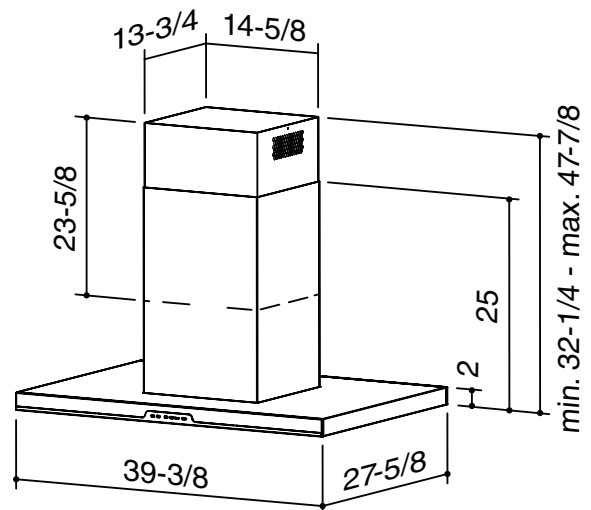


This product was tested by Broan-NuTone for airflow performance using the ANSI/AMCA 210 Standard, which is equivalent to the Home Ventilating Institute HVI 916 - Procedure for Air Flow Testing, and tested for sound performance using the ANSI S12.51 Standard, which is equivalent to the Home Ventilating Institute HVI 915 - Procedure for Loudness Rating of Residential Fan Products.

BEST Hartford, Wisconsin [www.BestRangeHoods.com](http://www.BestRangeHoods.com) 800-558-1711  
 BEST Drummondville, QC, Canada [www.BestRangeHoods.com](http://www.BestRangeHoods.com) 866-737-7770

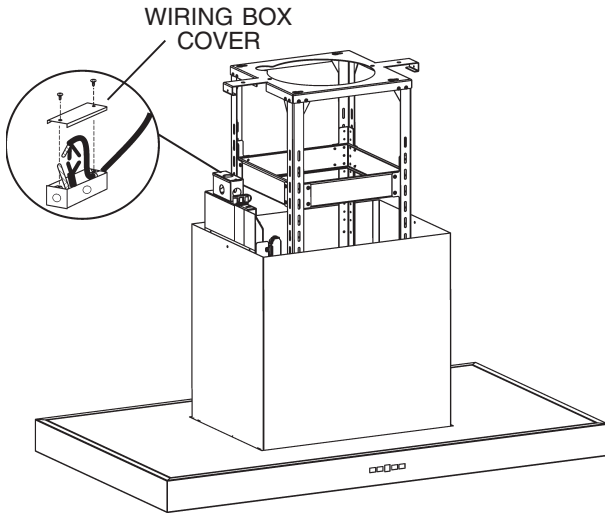
### iQ6 - 600 CFM Blower System providing:

- Best in class quiet operation.
- Up to 30% faster smoke and odor removal than comparable models.
- Up to 22x more energy efficient than comparable models.
- Guaranteed Performance System (GPS) technology calibrates the hood system to every installation to provide up to 30% more CFM than standard range hoods.
- Using a duct reducer with this hood may prevent the product from calibrating.

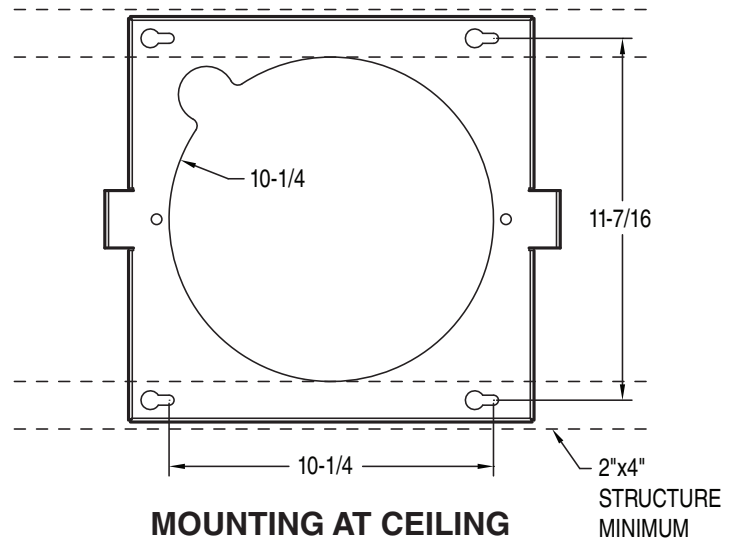
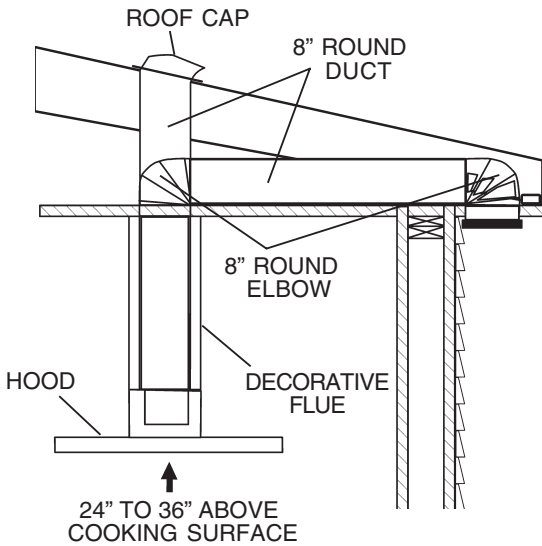


REFERENCE	QTY.	REMARKS	Project
			Location
			Architect
			Engineer
			Contractor
			Submitted by
			Date

# IC34IQ SERIES WIRING



# IC34IQ SERIES MOUNTING



CEILING HEIGHT	DUCT METHOD	HOOD DISTANCE ABOVE 36" HIGH COOK TOP (see notes below)													
		24"	25"	26"	27"	28"	29"	30"	31"	32"	33"	34"	35"	36"	
8 FEET	Ducted	X	X	X	X	---	---	---	---	---	---	---	---	---	
	Non-Ducted	X	X	X	X	---	---	---	---	---	---	---	---	---	
9 FEET	Ducted	---	X*	X*	X*	X*	X	X	X	X	X	X	X	X	
	Non-Ducted	---	X	X	X	X	X	X	X	X	X	X	X	X	
10 FEET (see note b.)	Ducted	X	X	X	X	X	X	X	X	X	X	X	X	X	
11 FEET (see note b.)	Ducted	---	---	---	---	---	---	---	---	X	X	X	X	X	

- X Mounting height is possible.
- X\* Mounting height is possible, but non-duct opening exposed.
- 
- 

- a. Minimum hood distance above cook top must not be less than 24". A maximum of 36" above cook top is highly recommended for best capture of cooking impurities. Distances over 36" are at the installer and user's discretion; and if ceiling height and flue length permit.
- b. Requires optional 10-ft. to 11-ft. flue extension, ducted model AEIC34SB or non-ducted model AEIC34SBN.

