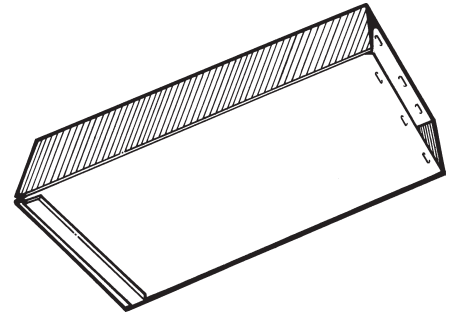


DUCTWORK AND ELBOWS



DUCT SECTIONS

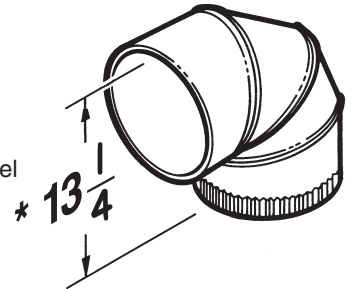
- Model 401** 3¼" x 10" - 30 GA. GALV.
- Model 406** 6" Round - 28 GA. GALV.
- Model 407** 7" Round - 28 GA. GALV.
- Model 408** 8" Round - 30 GA. GALV.
- Model 410** 10" Round - 28 GA. GALV.

All duct sections –

- 2 ft. long sections
- Galvanized steel construction
- 5 sections per carton

Model 418

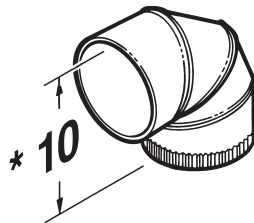
- 10" round
- Fully adjustable
- 30 GA. Galvanized steel construction



ELBOWS

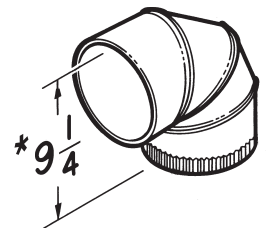
Model 415

- 7" round
- Fully adjustable
- 30 GA. Galvanized steel construction



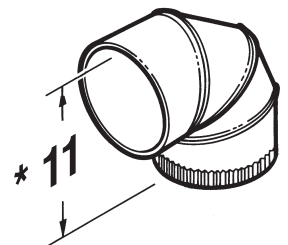
Model 419

- 6" round
- Fully adjustable
- 30 GA. Galvanized steel construction



Model 432

- 8" round
- Fully adjustable
- 30 GA. Galvanized steel construction

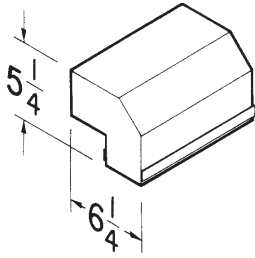


* Dimensions at 90°

Broan-NuTone LLC Hartford, Wisconsin www.broan.com 800-637-1453 www.nutone.com 888-336-3948
 BEST Hartford, Wisconsin www.BestRangeHoods.com

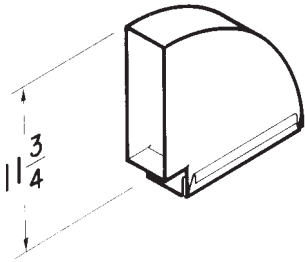
REFERENCE	QTY.	REMARKS	Project
			Location
			Architect
			Engineer
			Contractor
			Submitted by Date

ELBOWS - CONT'D.



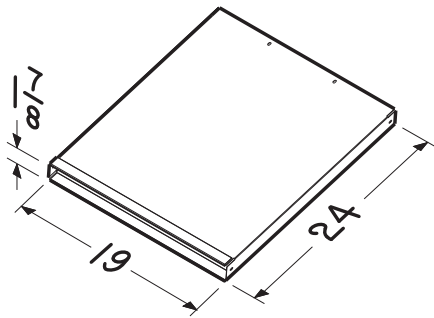
Model 428

- 3 1/4" x 10" – Vertical
- 30 GA. Galvanized steel construction



Model 429

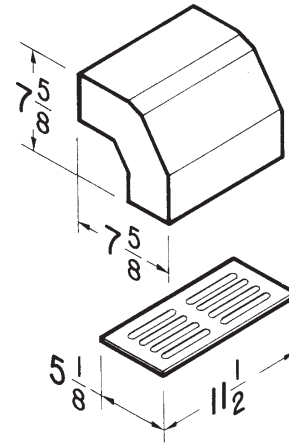
- 3 1/4" x 10" – Horizontal
- 30 GA. Galvanized steel construction



Model AEDD2
Model AXKD2

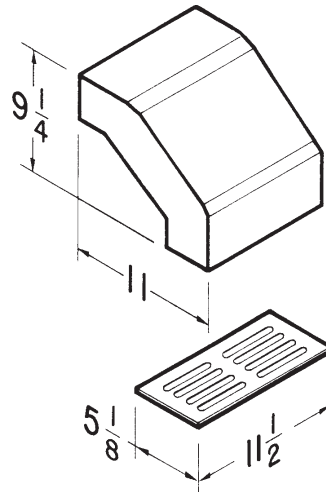
- 26 GA. Galvanized steel construction
- Includes duct slips

EAVE ELBOWS



Model 430

- 3 1/4" x 10" short eave elbow
- Includes backdraft damper and grille
- Black, electrically-bonded epoxy finish
- 20 ga. steel



Model 431

- 3 1/4" x 10" long eave elbow
- Includes backdraft damper and grille
- Black, electrically-bonded epoxy finish
- 20 ga. steel