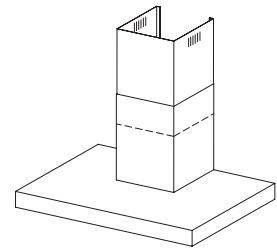


# WBF4I RANGE HOOD



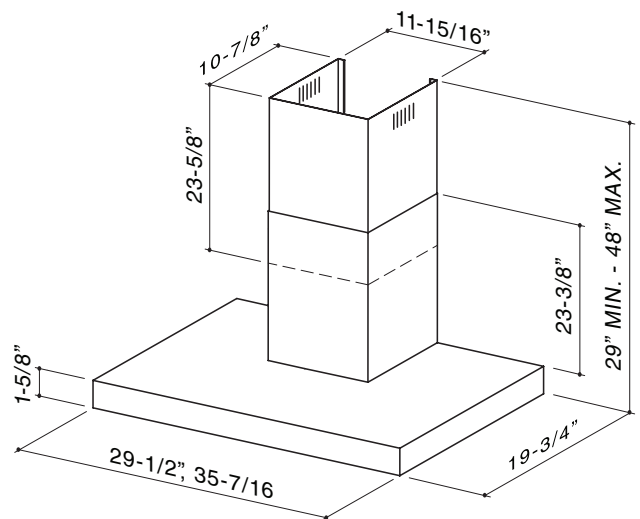
**A chimney hood created in true classical Italian design. Streamlined brick shape features electronic pushbutton controls and a lighted LCD screen. The understated elegance of this hood brings a modern touch of Europe to any kitchen.**

### FEATURES

- Wall mount
- Finish: 430 Stainless Steel #4 Brushed
- Widths: 29-1/2", 35-7/16"
- Depth: 19-3/4"
- Telescopic flue accommodates 7-ft. 8-in. to 9-ft. ceilings
- 6" round duct connector / backdraft damper
- Convertible to non-ducted operation - requires Model ANKWBF4 (sold separately)
- Halogen lighting (2 x 20 watt, 12V, Type JC 12V 20W G4 Base) (bulbs included)
- 4 push-button controls
  - Blower speed
  - Time / Delay Off
  - Light On / Off with LCD display
- Blower Delay Off, 1 to 60 minutes
- Single, 3-speed centrifugal blower
- Dishwasher-safe filter features a quick-release latch
- Cord-connected

### OPTIONS

- Replacement grease filters available
- Replacement non-ducted recirculation filters available (Model ROUNDFILTER)



HVI-2100 CERTIFIED RATINGS comply with new testing technologies and procedures prescribed by the Home Ventilating Institute, for off-the-shelf products, as they are available to consumers. Product performance is rated at 0.1 in. static pressure, based on tests conducted in a state-of-the-art test laboratory. Sones are a measure of humanly-perceived loudness, based on laboratory measurements.

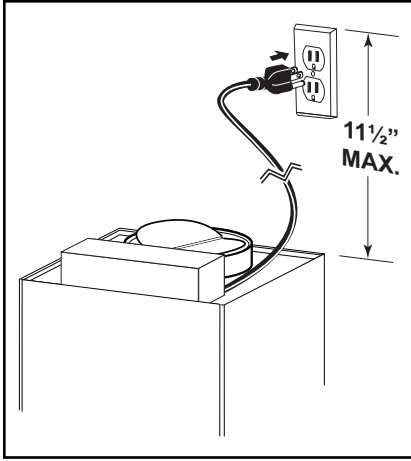
### SPECIFICATIONS

MODEL NO.	VOLTS	AMPS	CFM / SONES (High Speed)	CFM / SONES (Low Speed)	DUCT
WBF4I	120	3.3	400 / 8.5	190 / 2.5	6" round

BEST Hartford, Wisconsin www.BestRangeHoods.com 800-558-1711

REFERENCE	QTY.	REMARKS	Project	
			Location	
			Architect	
			Engineer	
			Contractor	
			Submitted by	Date

# WBF4I SERIES WIRING



## 1. GROUNDING INSTRUCTIONS

This appliance must be grounded. In the event of an electrical short circuit, grounding reduces the risk of electric shock by providing an escape wire for the electric current. This appliance is equipped with a cord having a grounding wire with a grounding plug. The plug must be plugged into an outlet that is properly installed and grounded.

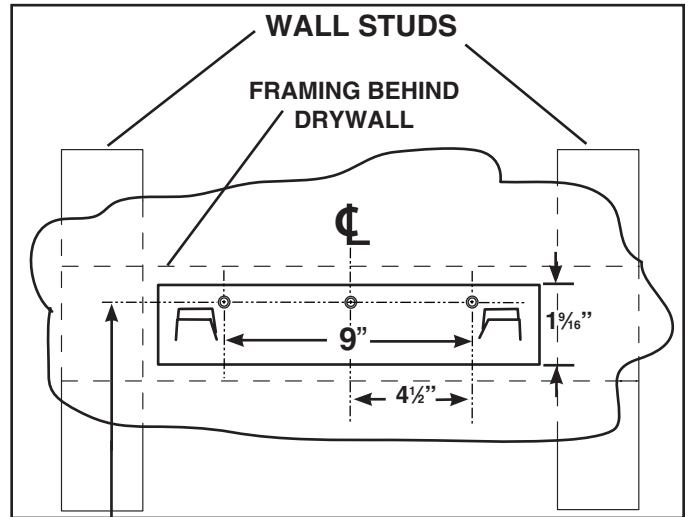
- Position the electrical outlet within the space covered by the decorative flue and where it will not interfere with the round duct. Make sure the outlet is no further than 11½" from where the cord exits from the hood and that the outlet does not interfere with a mounting bracket fastening area or where the decorative flue touches the wall.

# WBF4I SERIES MOUNTING

- Construct wood wall framing that is flush with interior surface of wall studs.

Make sure:

- the framing is centered over installation location.
  - the height of the framing will allow the mounting bracket to be secured to the framing within the dimensions shown.
- After wall surface is finished, carefully center and level the hood mounting bracket and secure it to wall framing with (3) #8 x 1-1/2" mounting screws. Tighten the screws completely.



35-7/8" = bottom of hood 24" above cooktop  
41-7/8" = bottom of hood 30" above cooktop

CEILING HEIGHT	DUCT METHOD	HOOD DISTANCE ABOVE 36" HIGH COOK TOP (see note a.)						
		24"	25"	26"	27"	28"	29"	30"
MOUNTING BRACKET LOCATION ABOVE 36" COOK TOP								
7-FT. 8-IN. MINIMUM	DUCTED OR NON-DUCTED	35-7/8"	36-7/8"	37-7/8"	38-7/8"			
8 OR 9 FEET	DUCTED OR NON-DUCTED	35-7/8"	36-7/8"	37-7/8"	38-7/8"	39-7/8"	40-7/8"	41-7/8"

Note:

- Minimum hood distance above cook top must not be less than 24".  
A maximum of 30" above cook top is highly recommended for best capture of cooking impurities.  
Distances over 30" are at the installer's and user's discretion; and if ceiling height and flue length permit.

