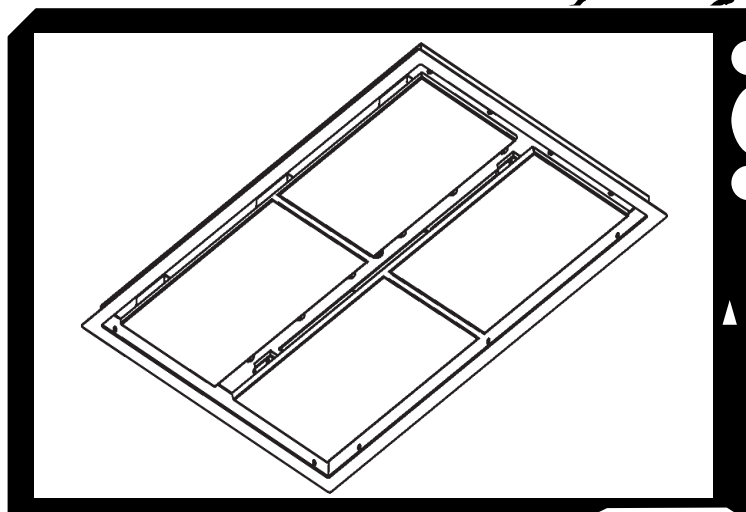


best®



Model CC34IQ63SB CC34IQT63SB

ENGLISH.....	3
FRANÇAIS.....	23
ESPAÑOL.....	45

In USA - BEST Hartford, Wisconsin

In CANADA - BEST Drummondville, QC, Canada

REGISTER YOUR PRODUCT ONLINE AT : www.BestRangeHoods.com/register
For additional Information visit www.BestRangeHoods.com

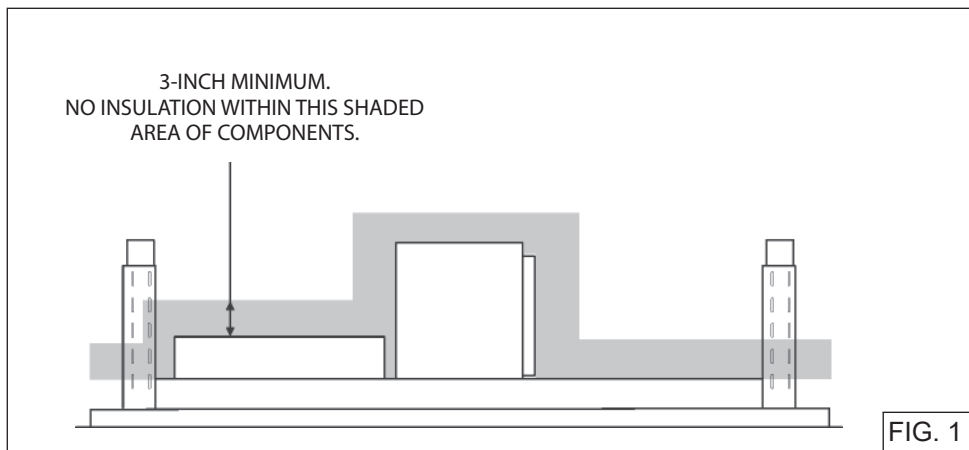
READ AND SAVE THESE INSTRUCTIONS

⚠ INTENDED FOR DOMESTIC COOKING ONLY ⚠

⚡ ⚠ WARNING

TO REDUCE THE RISK OF FIRE, ELECTRIC SHOCK, OR INJURY TO PERSONS, OBSERVE THE FOLLOWING:

1. Use this unit only in the manner intended by the manufacturer. If you have questions, contact the manufacturer at the address or telephone number listed in the warranty.
2. Before servicing or cleaning unit, switch power off at service panel and lock service panel to prevent power from being switched on accidentally. When the service disconnecting means cannot be locked, securely fasten a prominent warning device, such as a tag, to the service panel.
3. Installation work and electrical wiring must be done by a qualified person(s) in accordance with all applicable codes and standards, including fire-rated construction codes and standards.
4. Sufficient air is needed for proper combustion and exhausting of gases through the flue (chimney) of fuel burning equipment to prevent backdrafting. Follow the heating equipment manufacturer's guidelines and safety standards such as those published by the National Fire Protection Association (NFPA), and the American Society for Heating, Refrigeration and Air Conditioning Engineers (ASHRAE), and the local code authorities.
5. When cutting or drilling into wall or ceiling, do not damage electrical wiring and other hidden utilities.
6. Ducted fans must always be vented to the outdoors.
7. Do not use this unit with any separate solid-state speed control device.
8. To reduce the risk of fire, use only steel ductwork.
9. This unit must be grounded.
10. Type Non-IC Installation: Thermal insulation shall not cover top of range hood housing and must be spaced 3-inches (76mm) from all sides. (Fig. 1)



TO REDUCE THE RISK OF A RANGE TOP GREASE FIRE:

- A. Never leave surface units unattended at high settings. Boilovers cause smoking and greasy spillovers that may ignite. Heat oils slowly on low or medium settings.
- B. Always turn hood ON when cooking at high heat or when flambeing food (i.e. Crepes Suzette, Cherries Jubilee, Peppercorn Beef Flambe’).
- C. Clean ventilating fans frequently. Grease should not be allowed to accumulate on fan or filter.
- D. Use proper pan size. Always use cookware appropriate for the size of the surface element.

TO REDUCE THE RISK OF INJURY TO PERSONS IN THE EVENT OF A RANGE TOP GREASE FIRE, OBSERVE THE FOLLOWING:*

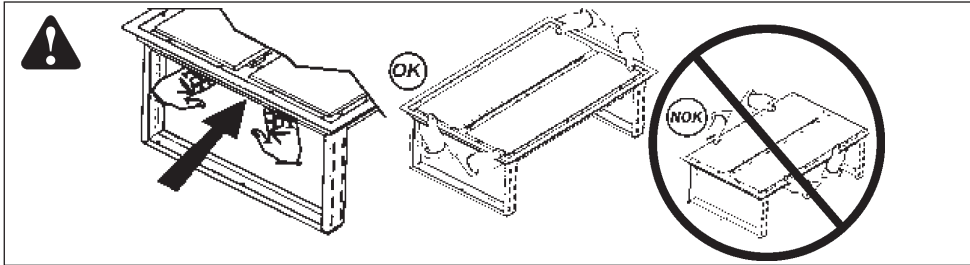
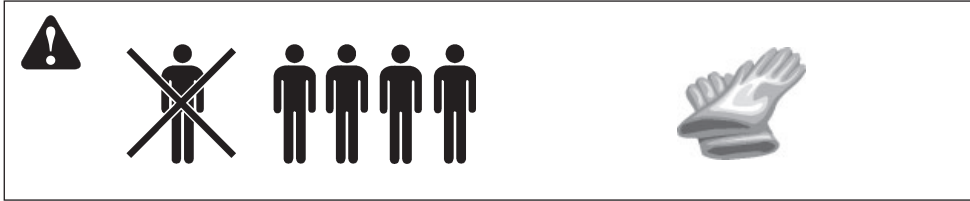
1. SMOTHER FLAMES with a close-fitting lid, cookie sheet, or metal tray, then turn off the burner. BE CAREFUL TO PREVENT BURNS. If the flames do not go out immediately, EVACUATE AND CALL THE FIRE DEPARTMENT.
2. NEVER PICK UP A FLAMING PAN - You may be burned.
3. DO NOT USE WATER, including wet dishcloths or towels - violent steam explosion will result.
4. Use an extinguisher ONLY if:
 - A. You know you have a Class ABC extinguisher and you already know how to operate it.
 - B. The fire is small and contained in the area where it started.
 - C. The fire department is being called.
 - D. You can fight the fire with your back to an exit.

* Based on “Kitchen Fire Safety Tips” published by NFPA.

CAUTION

1. For indoor use only.
2. To reduce risk of fire and to properly exhaust air, be sure to duct air outside. Do not vent exhaust air into spaces within walls or ceilings or into attics, crawl spaces, or garages.
3. Take care when using cleaning agents or detergents.
4. Avoid using food products that produce flames under the Range Hood.
5. For general ventilating use only. Do not use to exhaust hazardous or explosive materials and vapors.
6. To avoid motor bearing damage and noisy and/or unbalanced impellers, keep drywall spray, construction dust, etc. off power unit.
7. Your hood motor has a thermal overload which will automatically shut off the motor if it becomes overheated. The motor will restart when it cools down. If the motor continues to shut off and restart, have the hood serviced.
8. For best capture of cooking impurities, the bottom of the hood should be a minimum of 48” and a maximum of 72” above the cooking surface. See “Install Mounting Bracket” section for mounting restrictions.
9. Multiple installers are recommended because of the large size and weight of this hood.
10. Please read specification label on product for further information and requirements.
11. This power pack is equipped with a RF receiver (optional remote control sold separately). Changes or modifications not expressly approved by the party responsible for compliance could void the user’s authority to operate this product. The remote control has been tested and found to comply with the limits for a Class B digital device, pursuant to part 15 of the FCC Rules and the Canadian ICES-003. These limits are designed to provide reasonable protection against harmful interference in a residential installation. The remote control generates, uses and can radiate radio frequency energy and, if not installed and used in accordance with the instructions, may cause harmful interference to radio communications. However, there is no guarantee that interference will not occur in a particular installation. If this equipment does cause harmful interference to radio or television reception, which can be determined by turning the equipment off and on, the user is encouraged to try to correct the interference by one or more of the following measures:
 - Reorient or relocate the receiving antenna.
 - Increase the separation between the equipment and receiver.

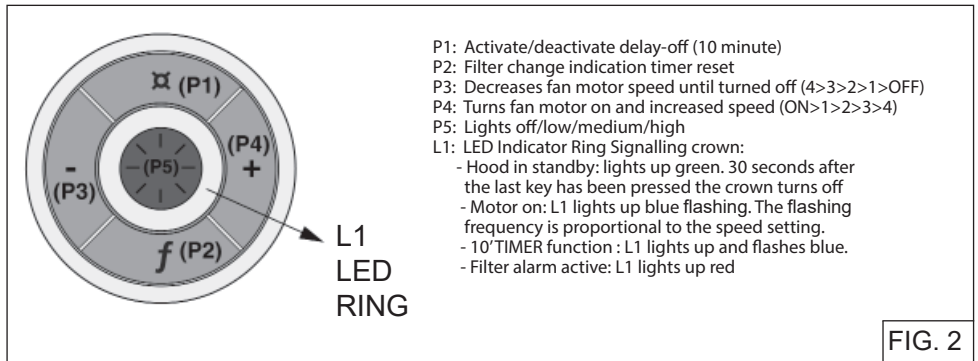
• Connect the equipment into an outlet on a circuit different from that to which the receiver is connected.



OPERATION

Controls (Fig.2)

The hood is operated using the (5) push buttons located on the hood and the remote control. LED colors are displayed on hood control only.



(P1) Delay- Off Switch

- Your hood includes a 10 minute blower delay off switch. Press this switch once to activate the timer and the LED Ring (L1) flashes blue. The blower will continue to operate for 10 minutes. After 10 minutes, the blower turns off automatically.
- To cancel the 10-minute delay, press the delay switch once again.

(P2) Filter Alarm Switch

- After 30 hours of blower operation, the filter alarm is activated and the LED ring (L1) turns red/flashes. It indicates that the grease filters need to be cleaned.
- After cleaning the grease filters, reset the hour counter by pressing the Filter Alarm/Timer Reset button (P2) during display of the alarm.

(P3) Blower Speed Decrease and Off Switch

- Press to decrease blower speed, high to low. The LED ring (L1) flashes blue at a speed proportionate to the blower setting (i.e.: four flashes is high speed, one flash is low speed, etc.)
- Continue pressing this switch to turn the blower off.

(P4) Blower Speed Increase and On Switch

- Press this switch to turn the blower on to low speed.
- Press again to increase blower speed, low to high. The LED ring (L1) flashes blue at a speed proportionate to the blower setting (i.e.: four flashes is high speed, one flash is low speed, etc.)

(P5) Light Switch






Lights off/low/medium/high.

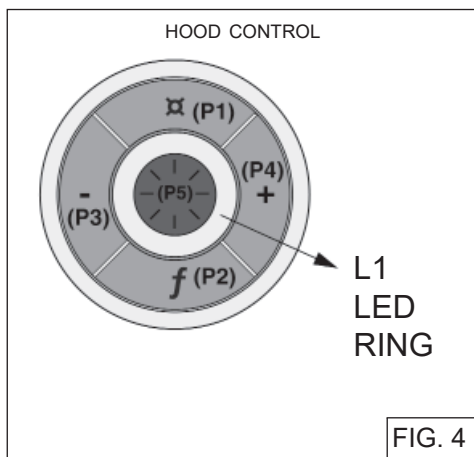
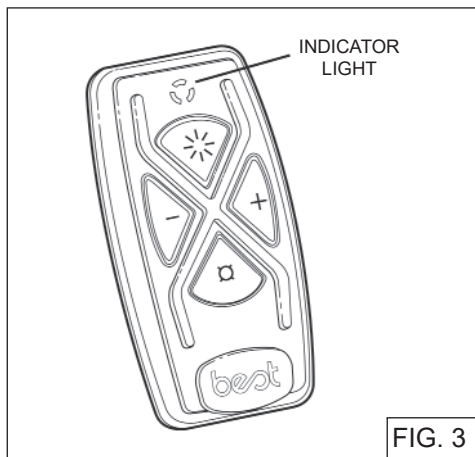
REMOTE CONTROL

The remote control is linked to the hood at the factory.





If, for some reason, the link is lost - follow the directions below:

To Link Remote Control to Hood




1. Turn off hood motor and hood lights.
2. Press  and  buttons on the remote simultaneously for 5 seconds, until the remote control Indicator Light turns on (Fig.3). Release  and  buttons. Press and release  button to confirm the linking. At this point the remote control Indicator Light starts flashing to confirm the link is active.
3. Within 3 seconds - press *f* (P2) on the hood control (Fig. 4). The LED ring will light up for approximately 10 seconds to confirm that the linking process was successful.



Remote Control Functions (Fig.3)

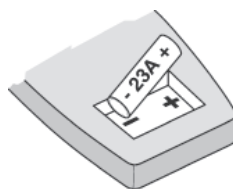
-  Delay - Off
-  Blower Speed Decrease and Off
-  Blower Speed Increase and On
-  Light

See "Controls" section on previous page for more information on each function.

Press  (Delay) and  (Light) together to Reset Filter Alarm.
IMPORTANT: holding  (Delay) for more than 3 seconds will cause the link between the remote and hood to be lost.
CAUTION RISK OF EXPLOSION IF BATTERY IS REPLACED BY AN INCORRECT TYPE. DISPOSE OF USED BATTERY TO THE INSTRUCTION.

Battery disposal

When the batteries need to be replaced, dispose of them only and exclusively in the numerous readily available special waste bins, especially in shops selling electronic consumer goods. Observance of the regulations on differentiated waste collection, in particular, proper disposal of used batteries, contributes to preventing possible negative effects on the environment and health.



CLEANING AND MAINTENANCE

Proper maintenance of the Range Hood will assure proper performance of the unit.

Motor

The motor is permanently lubricated and never needs oiling. If the motor bearings make excessive or unusual noise, replace the motor with the exact service motor. The impeller should also be replaced.

Grease Filter

The grease filters should be cleaned frequently. Use a warm detergent solution. Grease filter are dishwasher safe.

Clean all-metal filters in the dishwasher using a non-phosphate detergent. Discoloration of the filter may occur if using phosphate detergents, or as a result of local water conditions - but this will not affect filter performance. This discoloration is not covered by the warranty. See "INSTALL FILTERS" section for removal and installation instructions.

Stainless Steel Cleaning

DO:

- Regularly wash with clean cloth or rag soaked with warm water and mild soap or liquid dish detergent.
- Always clean in the direction of original polish lines.
- Always rinse well with clear water (2 or 3 times) after cleaning. Wipe dry completely.

DON'T:

- Use any steel or stainless steel wool or any other scrapers to remove stubborn dirt.
- Use any harsh or abrasive cleansers.
- Allow dirt to accumulate.
- Let plaster dust or any other construction residues reach the hood. During construction/renovation, cover the range hood to make sure no dust sticks to the stainless steel surface.

Avoid: When choosing a detergent

- Any cleaners that contain bleach will attack stainless steel
- Any products containing: chloride, fluoride, iodide, bromide will deteriorate surfaces rapidly.
- Any combustible products used for cleaning such as acetone, alcohol, ether, benzol, etc., are highly explosive and should never be used close to a range.

PREPARE THE HOOD

Unpack hood and check contents.

You should receive:

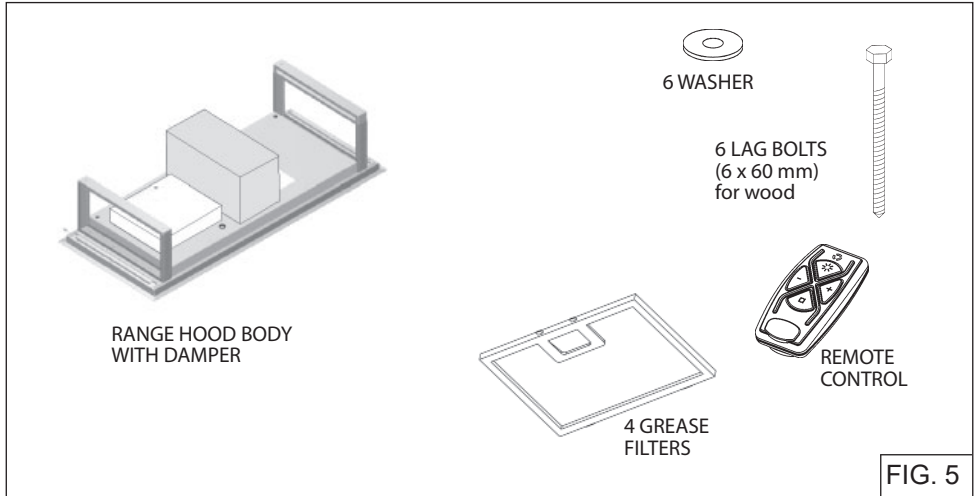
1 - Range Hood

1 - Remote Control

4 - Grease Filters

6 - Lag Bolts, 6 x 60 mm for wood

6 - Washer



The installer is responsible for selecting fasteners that are suitable for the building construction.

INSTALL THE DUCTWORK

WARNING: To reduce the risk of fire, use only metal ductwork.

1. Decide where the ductwork will run between the hood and the outside. Fig. 6.
2. A straight, short duct run will allow the hood to perform most efficiently. For optimal performance, it is recommended to have 18 - 24" of straight duct before using an elbow.

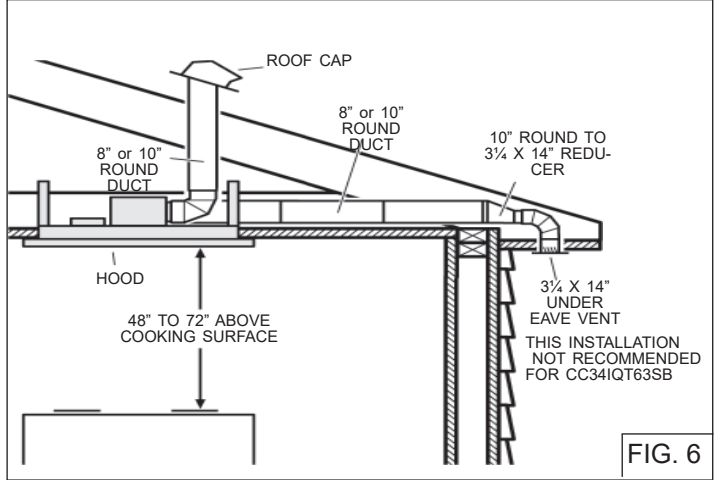


FIG. 6

3. Long duct runs, elbows, and transitions will reduce the performance of the hood. Use as few of them as possible. Larger ducting may be required for best performance with longer duct runs.
4. Install a roof cap, wall cap, or under-eave vent. Connect round metal ductwork to cap/vent and work back towards hood location. Use duct tape to seal the joints between ductwork sections.
5. The blower on model CC34IQ63SB can be rotated according to the air outlet location. See Fig. 7 for air outlet dimensions.

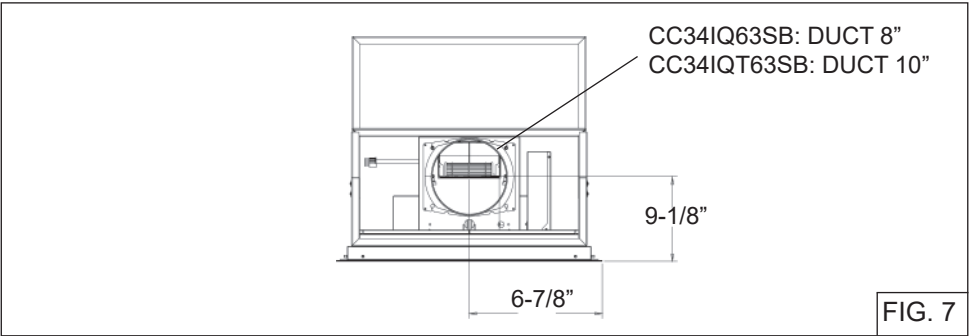
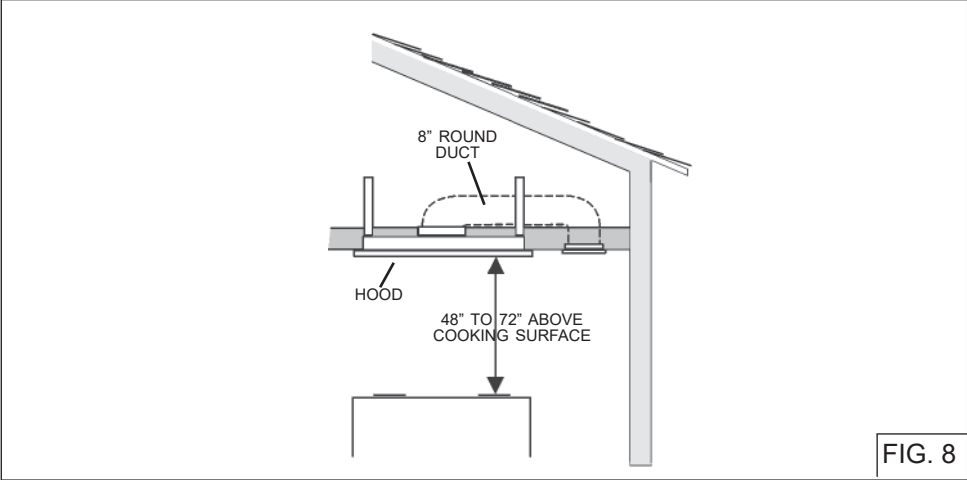


FIG. 7

For Recirculation Mode, purchase KIT ANKCC3463 separately (Optional for CC34IQ63SB only). Fig.8



PREPARE THE CEILING OPENING

The hood should always be centered over the cooktop. Make sure there is adequate space in the ceiling structure to install the hood and ductwork. The hood should be mounted 48" to 72" above the cook top for best removal of cooking impurities. Fig 6.

Use joist size lumber to frame in around the range hood opening. Fig 9.

⚠ The ceiling structure must be able to support the weight of the hood.

CC34IQ63SB Model: 105 pounds weight.

CC34IQT63SB Model: 121 pounds weight.

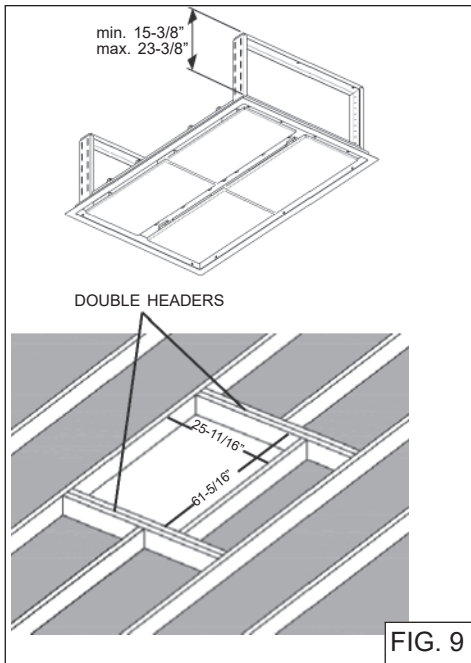


FIG. 9

For Non-Ducted version:
Make a cut-out in the ceiling for the air return vent. See Fig. 10 below and Fig. 24.

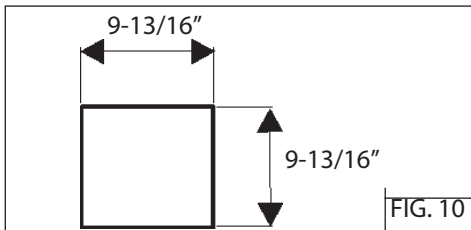


FIG. 10

PREPARE THE HOOD SUPPORT

1. Construct a wood framing system as shown in Fig. 11.
2. The structure must be capable of supporting its own weight, plus the weight of the hood.

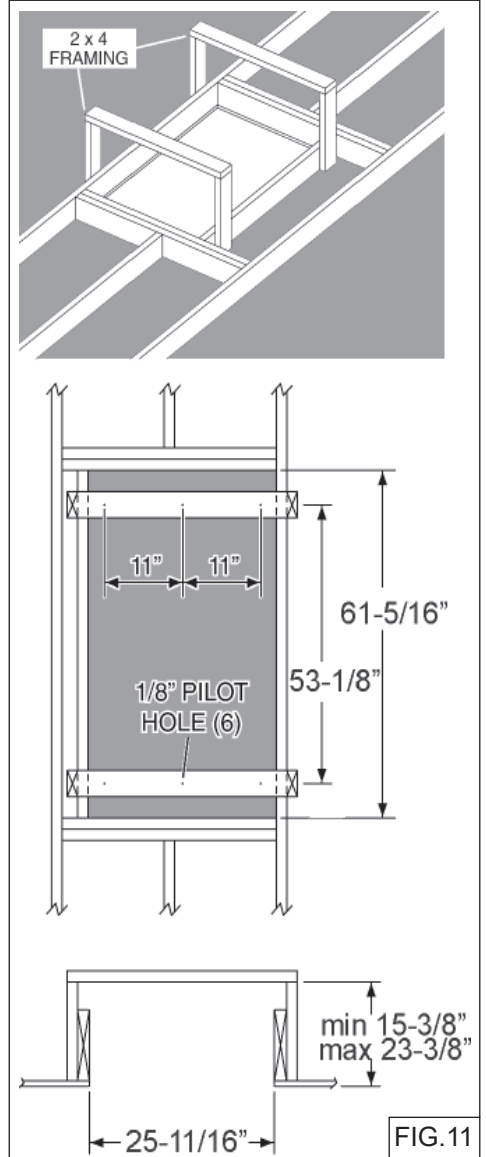


FIG. 11

INSTALL THE HOOD

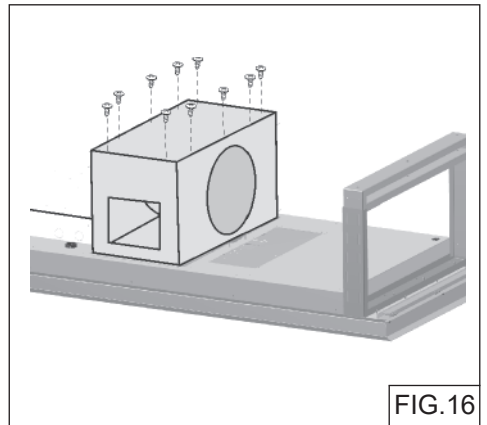
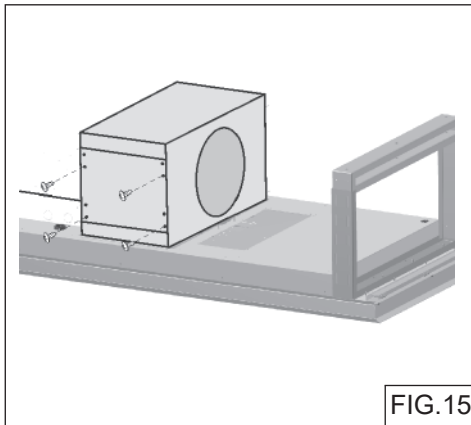
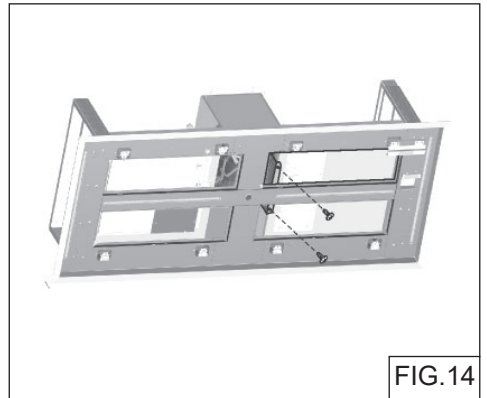
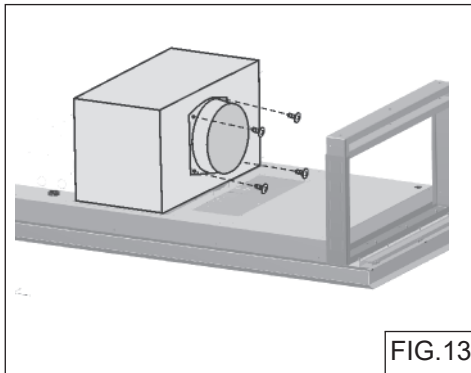
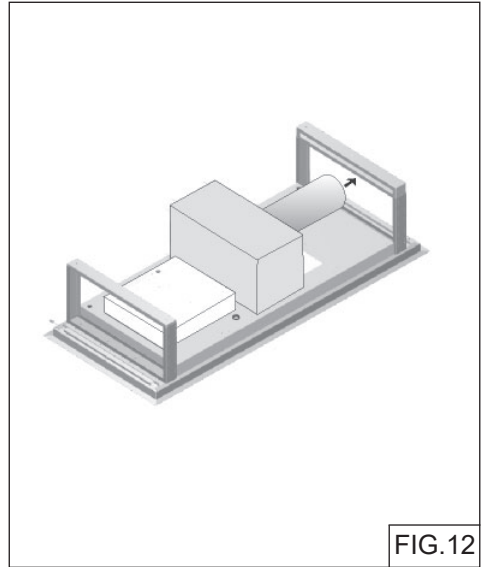
⚠ CAUTION: Multiple installers are recommended because of the large size and weight of this range hood.

1. Hood is shipped in the horizontal duct discharge position and is ready to be installed (Fig.12).

Only CC34IQ63SB model (1 motor):

To change direction of the duct without using elbows.

- Remove (4) screws of the damper collar (Fig.13).
- Remove (2) screws from inside of blower box (Fig.14).
- Remove (4) screws from sides of blower box (Fig.15).
- Remove (10) screws on the top of blower box (Fig.16).



• Rotate blower 90 degrees and reinstall (2) screws (Fig.17). Reinstall blower box covers, damper and screws.

2. Adjust height of the telescoping support frame and secure with screws and washers. Fig.18.

⚠ CAUTION: Adjust the height before installation.

3. Lift range hood into the ceiling opening.

4. Secure each support frame to the wooden hood support frame using (6) 6 x 60 mm lag bolts and washers provided. Fig. 19.

5. Install exterior or in-line blower by following instructions provided with blower.

6. Install ductwork and duct tape all joints to ensure an air tight seal.

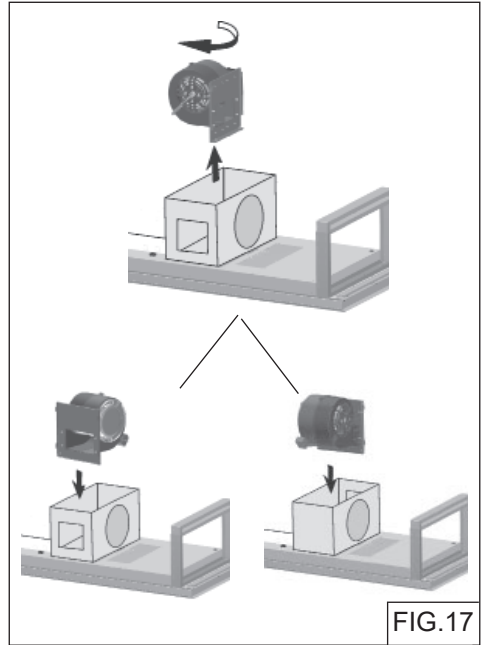


FIG.17

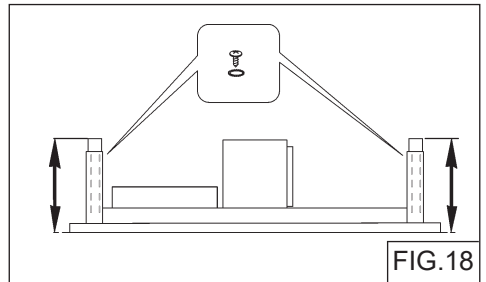


FIG.18

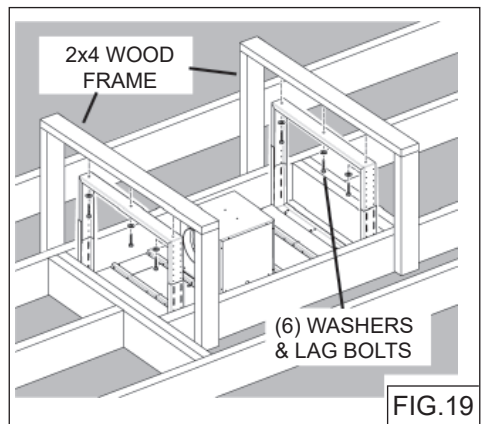
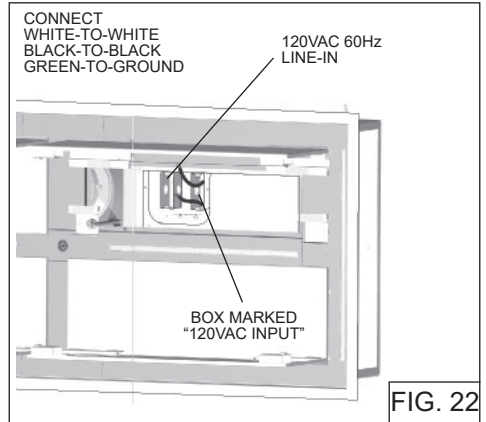
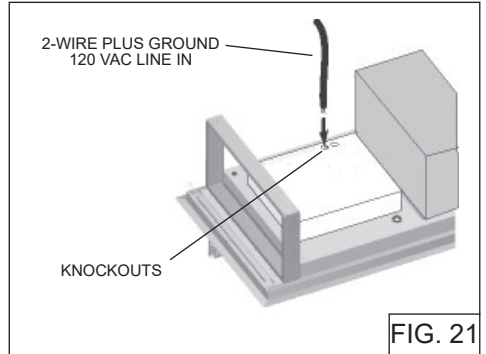
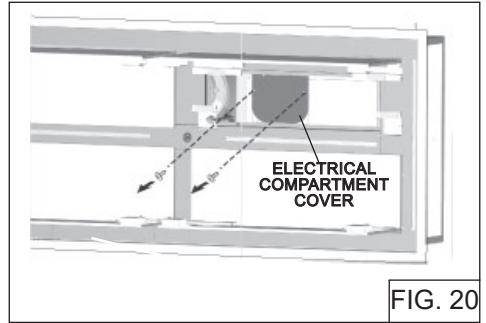


FIG.19

CONNECT THE WIRING

⚠️ ⚠️ WARNING: All electrical wiring should be done by a qualified person (s) in accordance with all applicable codes and standards. This range hood must be properly grounded.

1. Remove electrical compartment cover by removing (2) screws (Fig.20).
2. Run 2-wire plus ground, 120 VAC electrical power cable to the $\frac{3}{4}$ " knockout located on the back of the hood. Fig. 21.
3. Remove $\frac{3}{4}$ " electrical knockout from the back of the hood.
4. From the electrical box marked "120 VAC Inlet", remove (2) screws that secure the cover to the metal wiring box. Fig. 22.
5. Pull 120VAC electrical power cable into the box and secure with an appropriate cable clamp.
6. Make electrical connections inside the box. Connect white-to-white, black-to-black and green-to-ground.
7. Replace the wiring box cover and the screws. Reinstall electrical compartment cover and screws. Make sure wires are not pinched between the cover and box.



MAKE-UP AIR DAMPER

CAUTION: The hood is compatible only with Broan Make-Up Air Damper Model MD8T (recommended for CC34IQ63SB) or MD10T (recommended for CC34IQ63SB). Purchase separately. Make the connection to the Make-Up Air Damper with low voltage wiring, as shown. See Make-Up Air Damper instructions for additional information (Fig.23)

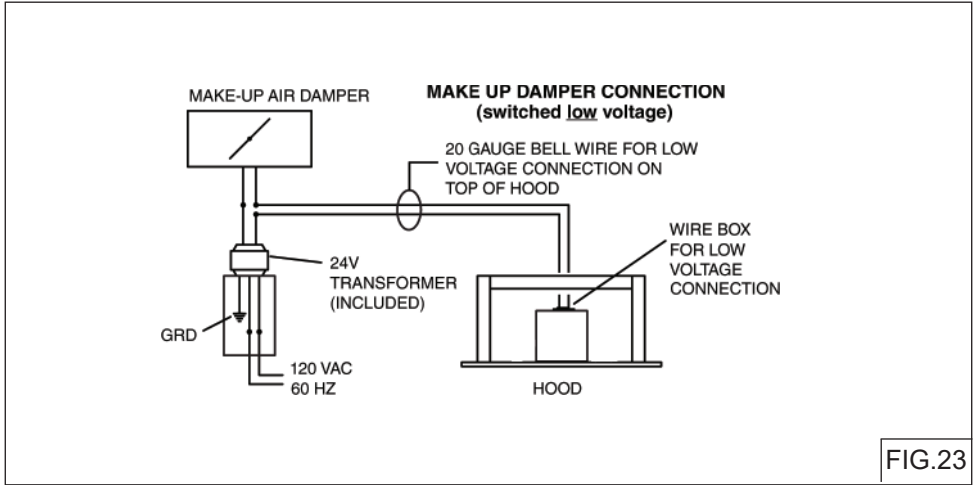


FIG.23

INSTALL THE AIR RETURN VENT (NON-DUCTED VERSION)

Purchase the optional ANKCC3463 recirculating kit, sold separately (Optional for CC34IQ63SB only). The kit includes the air return vent and the charcoal filters.

Fix the air return vent to the ceiling, by means (4) 4,2x15 mm screws. See Fig.24.

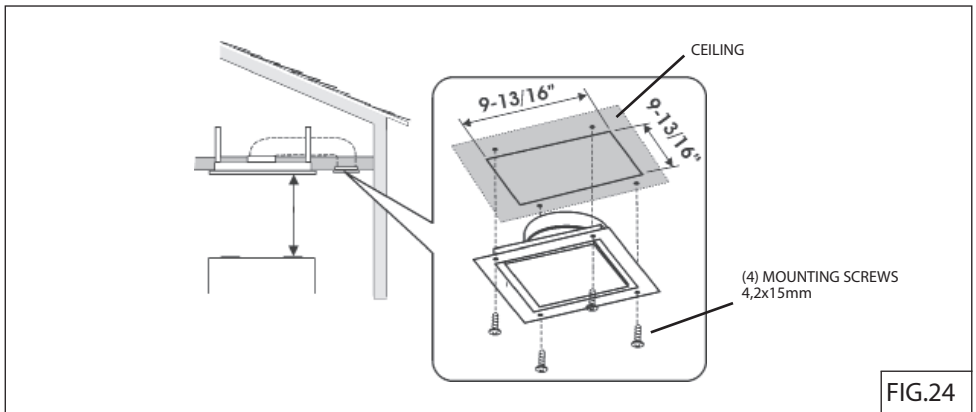


FIG.24

NON-DUCTED RECIRCULATION FILTERS INSTALLATION (NON- DUCTED HOODS ONLY)

Non-ducted recirculation filters are included with kit ANKCC3463. Replacement non-ducted recirculation filters can be purchased separately (AFCCC3463).

Kit and non-ducted recirculation filter are optional for CC34IQ63SB only.

Position the non-ducted recirculation filter over the grease filter and secure it by means (4) wire retainers. Refer Figure 25.

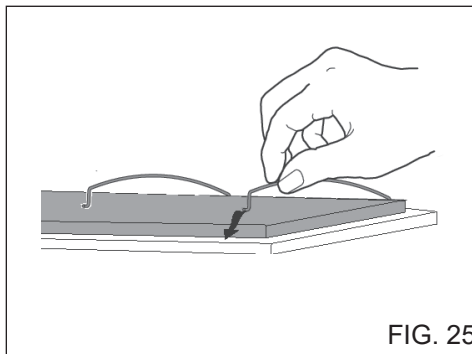


FIG. 25

INSTALL THE FILTERS

1. To install the grease filters, align rear filter tabs with slots in the hood. Push latch tab in, push filter into position and release. Make sure filter is securely engaged after installation. Fig. 26.
2. To remove the filters for cleaning, push latch tab in to disengage filter from hood. Tilt the filter downward and remove.

NOTE: Remove protective film from filters and steel surfaces before using cooking under range hood.

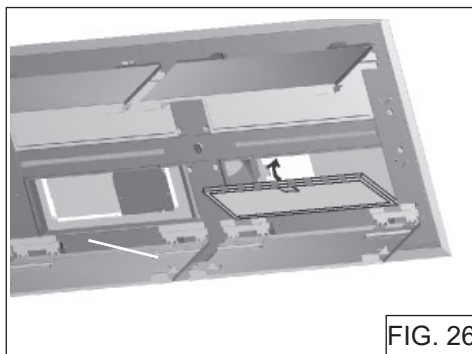


FIG. 26

CALIBRATE IQ BLOWER SYSTEM™

After the hood is installed and wired, engage the calibration process (our Guaranteed Performance System Technology to ensure full-rated airflow is being delivered). Prior to calibration, ensure that all filters, light bulbs and duct system are installed.

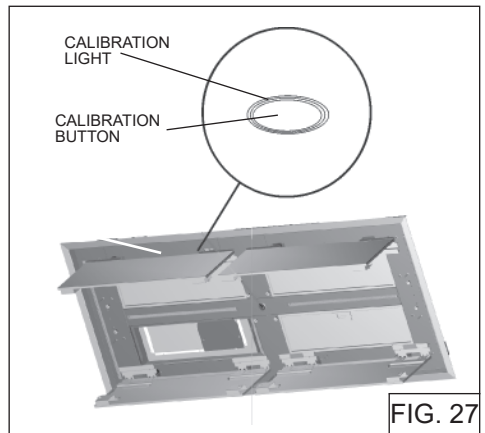
CALIBRATION PROCESS Fig. 27

Hold the calibration button for 3 seconds; calibration button will light up and stay on for up to 13 minutes. The blower will start and begin the calibration process. When calibration is complete, one of two things will occur:

1. The blower turns off and calibration button light stays on = Successful calibration. Press the button to turn off the LED. Note: The LED will also turn off if you select any blower speed on the control.
2. The blower turns off and calibration button light blinks continuously = Too much restriction in the ductwork is preventing the IQ Blower System™ from achieving the rated airflow. The blower is automatically set to maximum intensity. NOTE: Common items that cause restrictions: restricted damper flap (backdraft damper, wall cap, roof cap), too many elbows, duct size less than 80% of hood outlet, poor transition, use of flex ducting and/or crushed ducting.

Three options are available if your hood system has too much restriction:

1. Accept airflow as is.
 - a. Press the calibration button to accept airflow as is. The IQ Blower System™ is now configured to the highest possible performance. The blinking calibration light goes out. Note: The LED will also turn off if you select any blower speed on the control.
2. Correct duct restriction, clear the original calibration data, and repeat the calibration process.
 - a. Correct the duct restriction.
 - b. Clear the original calibration data by holding calibration button for 10 seconds. The light will blink 3 times to confirm and the blower configuration will go back to default settings.
 - c. Repeat calibration process from the beginning.
3. Clear calibration data to reset hood to default factory setting and achieve standard high pressure blower performance.
 - a. Clear calibration data and reset hood to factory default setting by holding calibration button for 10 seconds. The light will blink 3 times to confirm and the blower configuration will go back to default settings.



Limited Warranty

Warranty Period and Exclusions: Broan-NuTone, LLC (the "Company") warrants to the consumer purchaser of its product ("you") that the product (the "Product") will be free from material defects in the materials or its workmanship for a period of five (5) years from the date of original purchase (or such longer period as may be required by applicable law) or a period of two (2) years from the date of service for any labor provided on the Product.

The limited warranty period for any replacement parts provided by the Company and for any Products repaired or replaced under this limited warranty shall be the remainder of the original warranty period (or such longer period as may be required by applicable law).

THIS WARRANTY DOES NOT EXTEND TO FLUORESCENT LAMP STARTERS, TUBES AND BULBS, FUSES, FILTERS, DUCTS, ROOF CAPS, WALL CAPS AND OTHER ACCESSORIES FOR DUCTING. This warranty does not cover (a) normal maintenance and service, (b) normal wear and tear, (c) any Products or parts which have been subject to misuse, abuse, abnormal usage, negligence, accident, improper or insufficient maintenance, storage or repair (other than repair by the Company), (d) damage caused by faulty installation, or installation or use contrary to recommendations or instructions, (f) damage caused by exposure to salt air, (g) damage in transit, (h) natural wear of finish, (i) Products in commercial or nonresidential use, (j) damage caused by fire, flood or other act of God, or (k) Products with altered, defaced or removed serial numbers. This warranty covers only Products sold to consumers in North America.

This warranty supersedes all prior warranties and, subject to applicable law, is not transferable from the original consumer purchaser.

No Other Warranties: This Limited Warranty contains the Company's sole obligation and your sole remedy for defective Products. The foregoing warranties are exclusive and in lieu of any other warranties and conditions, express or implied. **TO THE MAXIMUM EXTENT PERMITTED BY APPLICABLE LAW, THE COMPANY DISCLAIMS AND EXCLUDES ALL OTHER EXPRESS WARRANTIES AND CONDITIONS, AND DISCLAIMS AND EXCLUDES ALL WARRANTIES AND CONDITIONS IMPLIED BY LAW, INCLUDING WITHOUT LIMITATION THOSE OF MERCHANTABILITY AND FITNESS FOR A PARTICULAR PURPOSE.** To the extent that applicable law prohibits the exclusion of implied warranties or conditions, the duration of any applicable implied warranty or condition is limited to the period specified for the express warranty above. Some jurisdictions (which may include the Province of Quebec or specific US states) do not allow limitations on how long an implied warranty lasts, so the above limitation may not apply to you. Any oral or written description of the Product is for the sole purpose of identifying it and shall not be construed as an express warranty.

Whenever possible, each provision of this Limited Warranty shall be interpreted in such manner as to be effective and valid under applicable law, but if any provision is held to be prohibited or invalid, such provision shall be ineffective only to the extent of such prohibition or invalidity, without invalidating the remainder of such provision or the other remaining provisions of the Limited Warranty.

Remedy: During the applicable limited warranty period, the Company will, at its option, provide replacement parts for, or repair or replace, without charge, any Product or part thereof, to the extent the Company finds it to be covered by and in breach of this limited warranty under normal use and service. The Company will ship the repaired or replaced Product or replacement parts to you at no charge. You are responsible for all costs for removal, reinstallation and shipping, insurance or other freight charges incurred in the shipment of the Product or part to the Company. If you must send the Product or part to the Company, as instructed by the Company, you must properly pack the Product or part—the Company is not responsible for damage in transit. The Company reserves the right to utilize reconditioned, refurbished, repaired or remanufactured Products or parts in the warranty repair or replacement process. Such Products and parts will be comparable in function and performance to an original Product or part and warranted for the remainder of the original warranty period (or such longer period as may be required by applicable law).

Company reserves the right, in its sole discretion, to refund the money actually paid by you for the Product. If the Product or component is no longer available, replacement may be made with a similar product of equal or greater value, at Company's sole discretion. This is your sole and exclusive remedy for breach of this limited warranty.

Exclusion of Damages: THE COMPANY'S OBLIGATION TO PROVIDE REPLACEMENT PARTS, OR REPAIR OR REPLACE, AT THE COMPANY'S OPTION, SHALL BE YOUR SOLE AND EXCLUSIVE REMEDY UNDER THIS LIMITED WARRANTY AND THE COMPANY'S SOLE AND EXCLUSIVE OBLIGATION. THE COMPANY SHALL NOT BE LIABLE FOR INCIDENTAL, INDIRECT, CONSEQUENTIAL OR SPECIAL DAMAGES ARISING OUT OF OR IN CONNECTION WITH THE PRODUCT, ITS USE OR PERFORMANCE.

Some jurisdictions do not allow the exclusion or limitation of incidental or consequential damages, so the above limitation or exclusion may not apply to you. This warranty gives you specific legal rights, and you may also have other rights, which vary from jurisdiction to jurisdiction. The disclaimers, exclusions, and limitations of liability under this warranty will not apply to the extent prohibited by applicable law.

This warranty covers only replacement or repair of defective Products or parts thereof at the Company's main facility and does not include the cost of field service travel and living expenses.

Any assistance the Company provides to or procures for you outside the terms, limitations or exclusions of this limited warranty will not constitute a waiver of such terms, limitations or exclusions, nor will such assistance extend or revive the warranty.

The Company will not reimburse you for any expenses incurred by you in repairing or replacing any defective Product, except for those incurred with the Company's prior written permission.

How to Obtain Warranty Service: To qualify for warranty service, you must (a) notify the Company at the address or telephone number stated below within seven (7) days of discovering the covered defect, (b) give the model number and part identification and (c) describe the nature of any defect in the Product or part. At the time of requesting warranty service, you must present evidence of the original purchase date. If you cannot provide a copy of the original written limited warranty, then the terms of the Company's most current written limited warranty for your particular product will control.

PRODUCT SPECIFICATIONS

All illustrations and specifications in this catalog are based on the latest product information available at time of production. Broan-NuTone, LLC and BEST® reserves the right to make changes at any time, without notice, in prices, colors, materials, equipment, specifications and models, place of manufacture and to discontinue models or equipment.

Best

Broan-NuTone, LLC- 926 W. State Street, Hartford, WI 53207

1-800-637-1453

BEST®, 550 Lemire Blvd., Drummondville, QC, Canada (1-866-737-7770) www.bestrangehoods.com

SERVICE PARTS

MODEL

CC34IQ63SB

KEY NO.	PART NO.	DESCRIPTION
1	B003103711	FRAME
9	B08087836	GREASE FILTER
26	B023004301	LIGHT BAR
115	BE3350233	ELECTRICAL BOX
343	B08094449	ELECTRICAL COMPARTMENT COVER
362	B02011422	MAGNET
477	B02011376	HINGE
506	B08080878	BLDC DRIVER
507	B06102584	CALIBRATION BUTTON
508	B02301083	CONTROL CABLE
511	B06102814	DRIVER ASSEMBLY
998	B080810962	HARDWARE
999	B080814337	INSTALLATION INSTRUCTIONS
CAS	B06002259	BLOWER ASSEMBLY
IME	B06102805	ELECTRICAL INSTALLATION ASSEMBLY
AQI	B06102812	SWITCH ASSEMBLY
ARU	B08092501	DAMPER ASSEMBLY
ACR3	B08999186	REMOTE CONTROL
-	B902980139	NON-DUCTED RECIRCULATION FILTERS

CC34IQT63SB

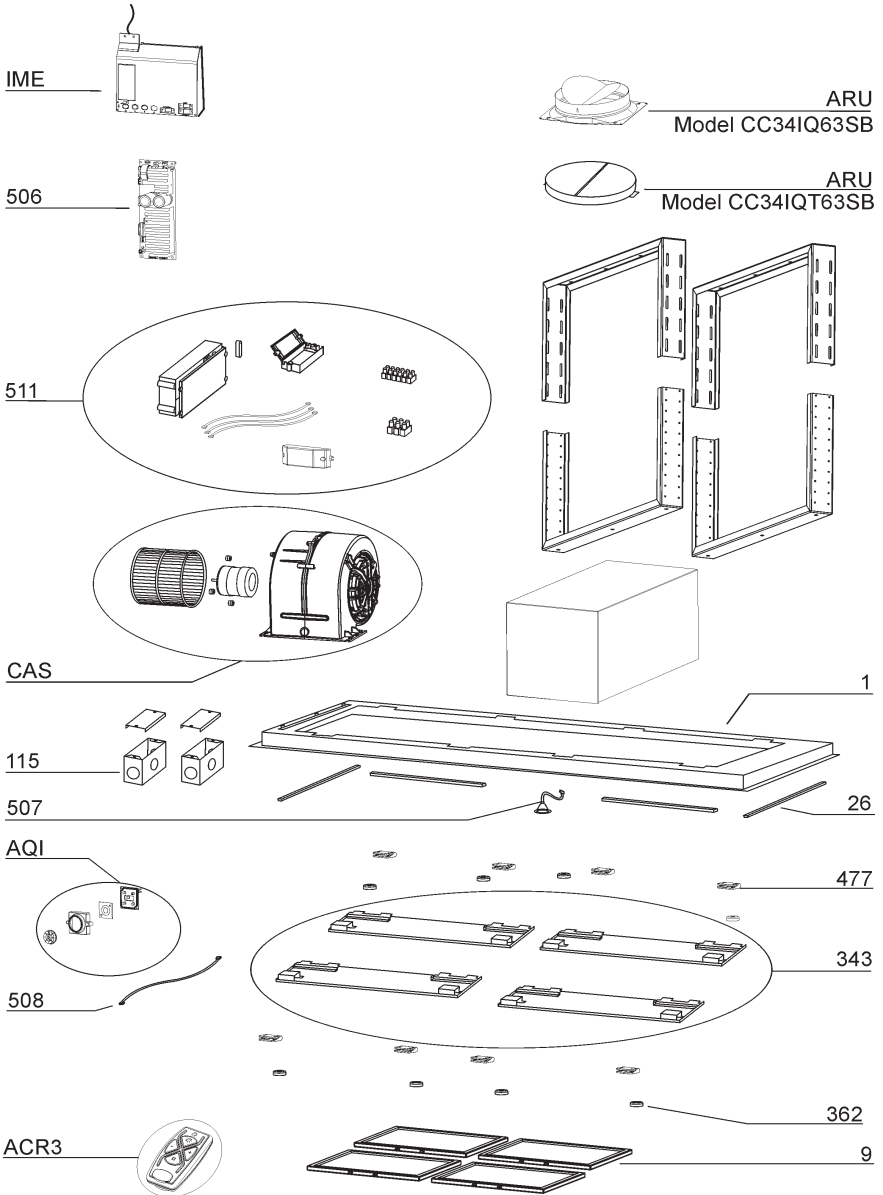
KEY NO.	PART NO.	DESCRIPTION
1	B003103711	FRAME
9	B08087836	GREASE FILTER
26	B023004301	LED
115	BE3350233	ELECTRICAL BOX
343	B08094449	ELECTRICAL COMPARTMENT COVER
362	B02011422	MAGNET
477	B02011376	HINGE
506	B08080879	BLDC DRIVER
507	B06102584	CALIBRATION BUTTON
508	B02301083	CONTROL CABLE
511	B06102806	DRIVER ASSEMBLY
998	B080810962	HARDWARE
999	B080814337	INSTALLATION INSTRUCTIONS
CAS	B06002259	BLOWER ASSEMBLY
IME	B06102805	ELECTRICAL INSTALLATION ASSEMBLY
AQI	B06102812	SWITCH ASSEMBLY
ARU	B02011533	DAMPER ASSEMBLY
ACR3	B08999186	REMOTE CONTROL

SERVICE PARTS

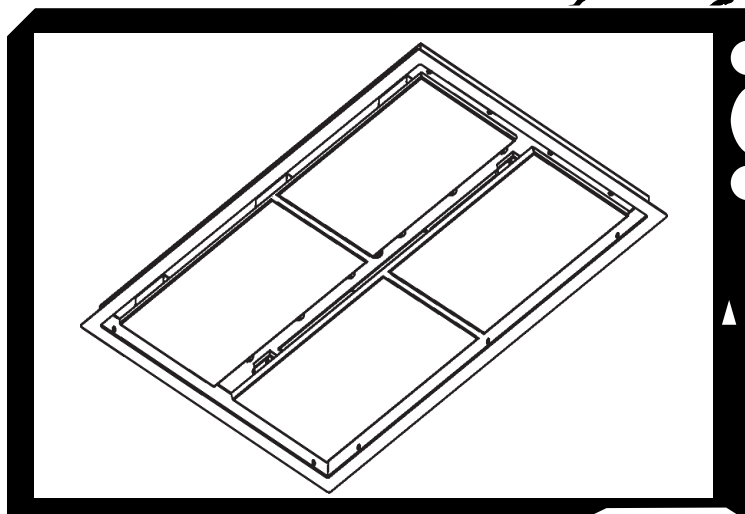
MODEL

CC34IQ63SB

CC34IQT63SB



best®



Modèle CC34IQ63SB CC34IQT63SB

ENGLISH.....	3
FRANÇAIS.....	23
ESPAÑOL.....	45

Aux États-Unis - BEST Hartford, Wisconsin
Au CANADA - BEST Drummondville, QC, Canada

ENREGISTREZ VOTRE PRODUIT EN LIGNE À : www.BestRangeHoods.com/register
Pour de plus amples informations, visitez www.BestRangeHoods.com

LIRE CES DIRECTIVES ET LES CONSERVER



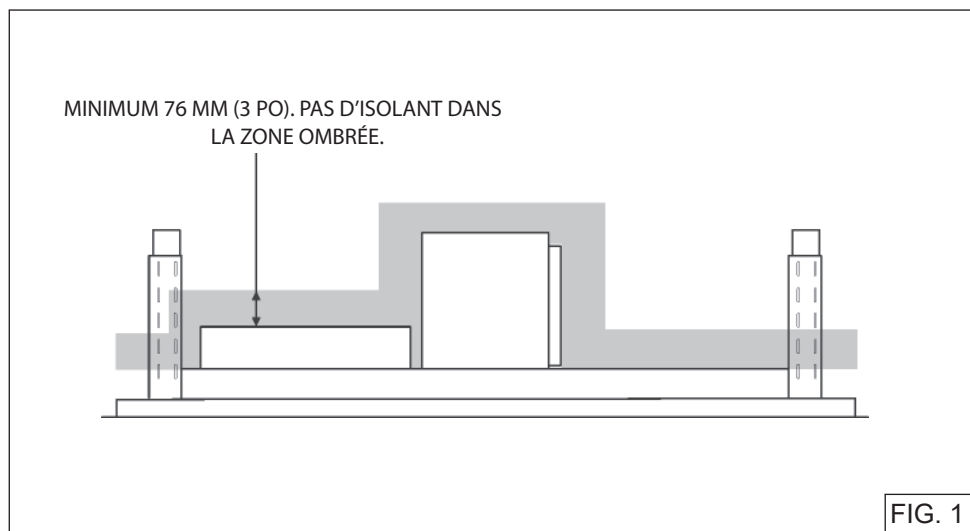
POUR USAGE DOMESTIQUE SEULEMENT



AVERTISSEMENT

POUR RÉDUIRE LES RISQUES D'INCENDIE, D'ÉLECTROCUTION OU DE BLESSURES PHYSIQUES, RESPECTEZ LES INSTRUCTIONS CI-DESSOUS:

1. Utilisez cet appareil uniquement de la manière prévue par le fabricant. Si vous avez des questions, contactez le fabricant à l'adresse ou au numéro de téléphone indiqués dans la garantie.
2. Avant d'effectuer l'entretien ou le nettoyage de l'appareil, coupez le courant au panneau d'alimentation et verrouillez ce dernier pour éviter que l'appareil soit mis sous tension par inadvertance. S'il n'est pas possible de verrouiller le dispositif de déconnexion, apposez un avertissement bien visible (par exemple une étiquette) sur le panneau d'alimentation.
3. L'installation et le raccordement électrique doivent être effectués par du personnel qualifié conformément à toutes les réglementations et normes en vigueur, y compris les normes et codes de bâtiment en matière de prévention d'incendie.
4. Afin d'éviter les retours de cheminée lors de l'utilisation d'appareils à combustion, une circulation d'air suffisante est nécessaire pour assurer une combustion et une évacuation adéquates des gaz à travers le conduit (la cheminée). Conformez-vous aux instructions et aux standards de sécurité des manufacturiers d'appareils de chauffage, tels qu'ils sont publiés par la National Fire Protection Association (NFPA) et l'American Society for Heating, Refrigeration and Air Conditioning Engineers (ASHRAE), ainsi que les réglementations locales.
5. Quand vous effectuez une découpe ou une perforation dans un mur ou un plafond, veillez à ne pas endommager des fils électriques ou d'autres équipements non visibles.
6. Les ventilateurs avec conduits doivent toujours évacuer l'air vers l'extérieur.
7. N'utilisez pas cet appareil avec une commande de vitesse à semi-conducteur additionnelle.
8. Pour réduire les risques d'incendie, utilisez uniquement des conduits en métal.
9. Cet appareil doit être mis à la terre.
10. Type d'installation non-IC : L'isolant thermique de la maison ne doit pas couvrir le haut de la hotte et doit être à au moins 76 mm (3 po) du boîtier de tout côté. (Fig. 1)



AFIN DE RÉDUIRE LE RISQUE DE FEU DE CUISINIÈRE

- A. Ne laissez jamais les appareils de cuisson sans surveillance lorsqu'ils sont réglés à feu vif. Les débordements peuvent causer de la fumée et occasionner des écoulements de graisse inflammables. L'huile doit être chauffée lentement, à feu doux ou moyen.

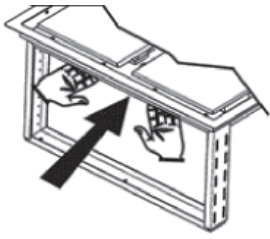
- B. Mettez toujours la hotte en MARCHÉ lors de la cuisson à feu vif ou lors de la cuisson d'aliments à flamber (par ex., crêpes Suzette, cerises jubilé, steak au poivre flambé).
- C. Nettoyez souvent les ventilateurs. Ne laissez pas la graisse s'accumuler sur le ventilateur ou les filtres.
- D. Utilisez des casseroles de dimension appropriée. Utilisez toujours des casseroles et des ustensiles adaptés à la dimension de la surface de cuisson.

OBSERVEZ LES CONSIGNES SUIVANTES DE MANIÈRE À RÉDUIRE LES RISQUES DE BLESSURES CORPORELLES EN CAS D'UN FEU DE CUISINIÈRE CAUSÉ PAR DE LA GRAISSE SUR LA SURFACE DE CUISSON* :

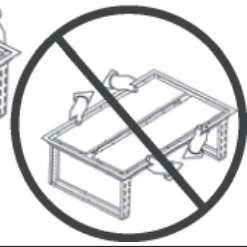
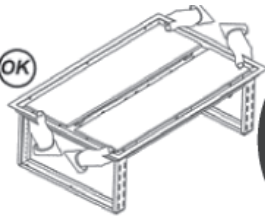
1. ÉTOUFFEZ LES FLAMMES à l'aide d'un couvercle hermétique, d'une tôle à biscuits ou d'un plateau en métal puis éteignez le brûleur. FAITES ATTENTION DE NE PAS VOUS BRÛLER. Si les flammes ne s'éteignent pas immédiatement, QUITTEZ LES LIEUX ET APPELEZ LE SERVICE DES INCENDIES.
2. NE SOULEVEZ JAMAIS UNE CASSEROLE EN FLAMMES - vous pourriez vous brûler.
3. N'UTILISEZ PAS D'EAU, ni de serviettes ou de linges mouillés – une violente explosion de vapeur pourrait survenir.
4. Utilisez un extincteur SEULEMENT si :
 - A. Vous savez qu'il est de classe ABC et vous connaissez déjà son mode de fonctionnement.
 - B. Le feu n'est pas très important et ne se propage pas.
 - C. Les pompiers ont été avisés.
 - D. Vous pouvez combattre le feu en faisant dos à une sortie.* Conseils tirés de la publication de la NFPA « Kitchen Fire Safety Tips ».

ATTENTION

1. Pour usage intérieur seulement.
2. Pour réduire les risques d'incendie et évacuer l'air correctement, assurez-vous d'évacuer l'air à l'extérieur. N'évacuez pas l'air dans des espaces clos comme l'intérieur des murs ou un plafond, dans le grenier, un faux-plafond ou un garage.
3. Faites attention lorsque vous utilisez des agents nettoyants ou des détergents.
4. Évitez d'utiliser des produits alimentaires pouvant produire des flammes sous la hotte.
5. Pour ventilation générale uniquement. N'utilisez pas cet appareil pour évacuer des matières ou des vapeurs dangereuses ou explosives.
6. Afin d'éviter tout dommage au moteur et de débalancer ou de rendre bruyante la roue du moteur, garder l'appareil à l'abri de la poussière de plâtre, de construction, etc.
7. Le moteur de la hotte est muni d'un dispositif de protection thermique qui coupe automatiquement le moteur en cas de surchauffe. Il se remet en marche lorsqu'il a refroidi. Faites réparer la hotte si le moteur continue à fonctionner par intermittence.
8. Pour mieux capter les vapeurs de cuisson, le bas de la hotte doit être au minimum à 121,9 cm (48 po) et au maximum à 183 cm (72 po) de la surface de cuisson. Pour les restrictions s'appliquant au montage, voir la section « Installation de la bride de montage ».
9. Il est recommandé d'avoir plusieurs d'installateurs, compte tenu de la taille et du poids de cette hotte.
10. Veuillez lire l'étiquette de spécifications du produit pour obtenir plus de renseignements, notamment sur les exigences.
11. Cette hotte encastrable est munie d'un récepteur radio. Tous les changements ou modifications qui ne sont pas approuvés par la partie responsable de la conformité pourraient annuler la possibilité d'utiliser l'équipement. La télécommande a été testée et est en accord avec les limites de la Classe B appareil numérique et est conforme au chapitre 15 du règlement de la FCC et de celui du ICES-003 canadiens. Ces limites sont développées afin de fournir une protection raisonnable contre des interférences dommageables dans une installation résidentielle. La télécommande génère, utilise et peut émettre des flux de fréquences radio qui peuvent causer des interférences aux communications radio, si elle n'est pas installée selon les instructions. Cependant, il n'y a aucune garantie que ces interférences ne se produiront pas dans une installation particulière. Si cet équipement cause des interférences à un récepteur radio ou un téléviseur, cela peut être confirmé en éteignant et rallumant l'appareil, l'utilisateur est encouragé à corriger cette situation en essayant les solutions suivantes :
 - Réorienter ou relocaliser l'antenne réceptrice
 - Augmenter la distance entre l'équipement et le récepteur
 - Connecter l'équipement à une autre prise électrique ou un autre disjoncteur différent de celui du récepteur



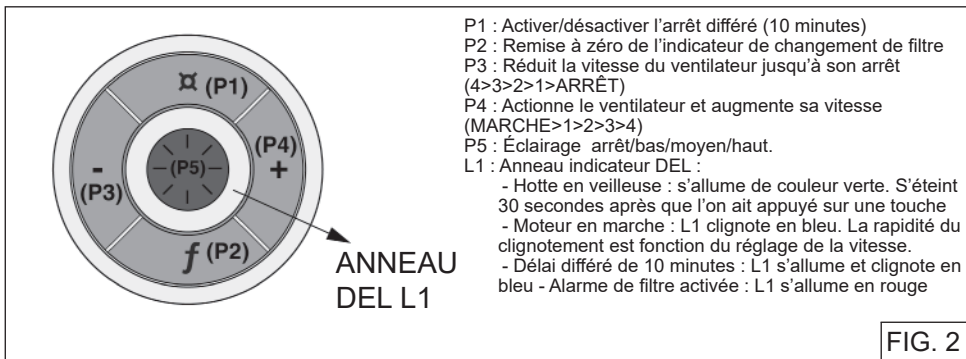
OK



FONCTIONNEMENT

Commandes (Fig.2)

La hotte fonctionne à l'aide de cinq (5) boutons-poussoirs situés sur la hotte et avec la télécommande. Couleurs de DEL sont affichées sur le contrôle de la hotte uniquement.



(P1) Interrupteur d'arrêt différé

- Votre hotte comprend un interrupteur pour l'arrêt différé de 10 minutes. Appuyez une fois pour activer la minuterie d'arrêt différé et l'anneau DEL (L1) se met à clignoter en bleu. Le ventilateur continuera de fonctionner pendant 10 minutes. Après 10 minutes, le ventilateur s'arrête automatiquement.
- Pour annuler l'arrêt différé, appuyez de nouveau sur l'interrupteur.

(P2) Interrupteur d'alarme de filtre

- Après 30 heures de fonctionnement du ventilateur, l'alarme de filtre s'active et l'anneau DEL (L1) se met à clignoter en rouge. Cela indique que les filtres à graisses doivent être nettoyés.
- Une fois ceux-ci nettoyés, appuyez sur le bouton de remise à zéro de l'indicateur de changement de filtre (P2) pendant l'affichage de l'alarme.

(P3) Bouton de réduction de la vitesse du ventilateur et d'arrêt

- Appuyez pour réduire la vitesse du ventilateur. La vitesse de clignotement de l'anneau DEL (L1) en bleu est fonction du réglage choisi (par ex. : quatre clignotements correspondent au régime maximal, un clignotement au régime lent, etc.)
- Pour arrêter le ventilateur, continuez d'appuyer sur l'interrupteur.

(P4) Bouton de mise en marche et d'augmentation de la vitesse du ventilateur

- Appuyez une fois pour mettre le ventilateur en marche au régime le plus lent.
- Appuyez de nouveau pour augmenter le régime du ventilateur. La vitesse de clignotement de l'anneau DEL (L1) en bleu est fonction du réglage choisi (par ex. : quatre clignotements correspondent au régime maximal, un clignotement au régime lent, etc.)


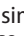



(P5) Interrupteur d'éclairage

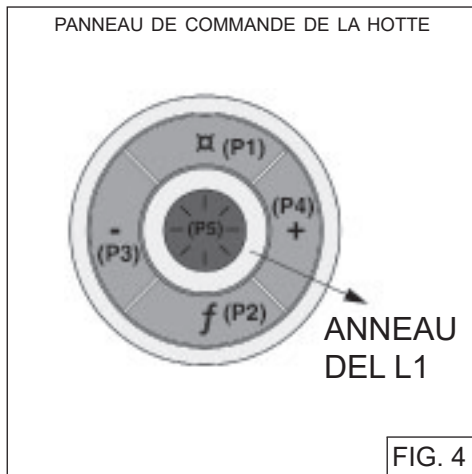
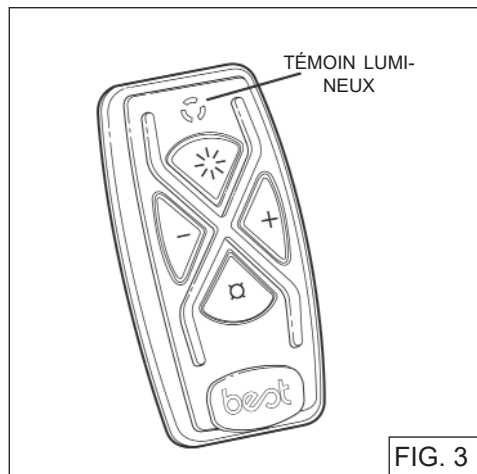
Éclairage arrêt/bas/moyen/haut.

TÉLÉCOMMANDE





La télécommande est jumelée à la hotte dès sa sortie de l'usine.



Si pour une raison quelconque cette liaison est perdue – veuillez suivre les directives ci-dessous : Liaison de la télécommande à la hotte

1. Arrêtez le moteur de la hotte et éteignez l'éclairage.
2. Appuyez simultanément sur les boutons  et  sur la télécommande pendant 5 secondes jusqu'à ce que le voyant de la télécommande s'allume (Fig.3). Relâchez les boutons  et  puis appuyez et relâchez le bouton  pour confirmer la liaison. À ce stade, le voyant de la télécommande commence à clignoter pour confirmer que la liaison est active.
3. Dans les 3 secondes, appuyez sur P2 sur le panneau de commande de la hotte (Fig.4). Le signal sonore confirme que le processus de liaison a réussi.



Fonctions de la télécommande (Fig.3)


-  Arrêt différé
-  Bouton de réduction de la vitesse du ventilateur et d'arrêt.
-  Bouton de mise en marche et d'augmentation de la vitesse du ventilateur
-  Éclairage

Appuyez sur  (Arrêt différé) et  (Éclairage) ensemble pour réinitialiser l'alarme de filtre.

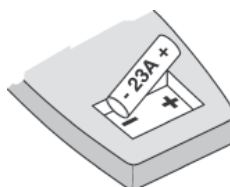
ATTENTION IL Y A RISQUE D'EXPLOSION SI LA PILE EST REMPLACÉE PAR LE MAUVAIS TYPE DE PILES. METTRE LES PILES USÉES AU REBUT CONFORMÉMENT À LA RÉGLEMENTATION.

Mise au rebut des piles

Lorsque les piles doivent être remplacées, prenez soin de les déposer dans l'un des nombreux bacs de recyclage répartis au pays, particulièrement dans les magasins d'électronique. Le respect des normes en matière de collecte sélective, particulièrement pour la mise au rebut des piles usées, contribue à éviter de possibles effets négatifs sur l'environnement et la santé.

IMPORTANT: Maintenez  (Arrêt différé) pour plus de 3 secondes pour annuler la liaison entre la hotte et la télécommande.

Pour de plus amples information sur chaque fonction, consultez la section "Commandes" à la page précédente.



NETTOYAGE ET ENTRETIEN

Un entretien approprié de votre appareil garantira une performance adéquate.

Moteur

Le moteur est lubrifié à vie et aucun graissage n'est nécessaire. Si les roulements du moteur font un bruit excessif ou inhabituel, remplacez le moteur par une pièce de rechange identique. Remplacez aussi la roue de ventilateur.

Filtres à graisses

Les filtres à graisses doivent être nettoyés souvent. Vous pouvez utiliser une solution détergente chaude ou le mettre dans le lave-vaisselle.

Nettoyez tous les filtres métalliques dans le lave-vaisselle avec un détergent sans phosphate.

Si vous utilisez un détergent phosphaté ou selon le type d'eau, il est possible que le filtre se décolore, mais cela n'affectera aucunement ses performances. Cette décoloration n'est pas couverte par la garantie. Consultez la section « INSTALLATION DES FILTRES » pour connaître les instructions de retrait et d'installation.

Nettoyage de l'acier inoxydable

À FAIRE :

- nettoyez régulièrement l'acier inoxydable avec un chiffon ou un torchon enduit d'eau tiède et de savon doux ou de liquide à vaisselle.
- nettoyez toujours dans le sens des lignes de polissage d'origine.
- rincez toujours à l'eau claire (2 ou 3 fois) après le nettoyage. Essuyez complètement.

À NE PAS FAIRE :

- n'utilisez pas de laine d'acier inoxydable ou d'autres racloirs pour éliminer la saleté difficile à éliminer.
- n'utilisez pas de poudre nettoyante abrasive ou rugueuse.
- ne laissez pas la saleté s'accumuler.
- maintenez la hotte à l'abri de la poussière de plâtre ou d'autres résidus de construction. Pendant la construction/les rénovations, couvrez la hotte afin d'éviter qu'aucune poussière n'adhère aux surfaces en acier inoxydable.

À éviter quand vous choisissez un détergent :

- tous les produits de nettoyage contenant de l'eau de Javel attaquent l'acier inoxydable.
- tous les produits contenant du chlore, du fluorure, de l'iode ou du bromure provoquent une détérioration rapide des surfaces.
- tous les produits combustibles utilisés pour le nettoyage, tels que l'acétone, l'alcool, l'éther, le benzène sont extrêmement explosifs et ne doivent jamais être employés à proximité d'une surface de cuisson.

PRÉPARATION DE LA HOTTE

Déballez la hotte et vérifiez le contenu de l'emballage.

Il doit comprendre :

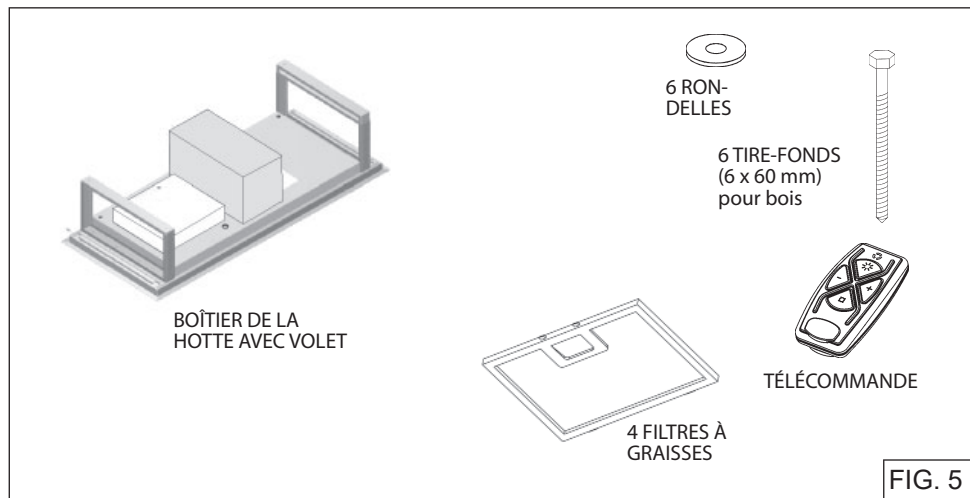
1 - Hotte

1 - Télécommande

4 - Filtres à graisses

6 - Tire-fonds, 6 x 60 mm pour bois

6 - Rondelles



L'installateur est responsable de la sélection des fixations adaptées à la construction.

INSTALLER LES CONDUITS

REMARQUE: pour réduire les risques d'incendie, utilisez uniquement des conduits de métal.

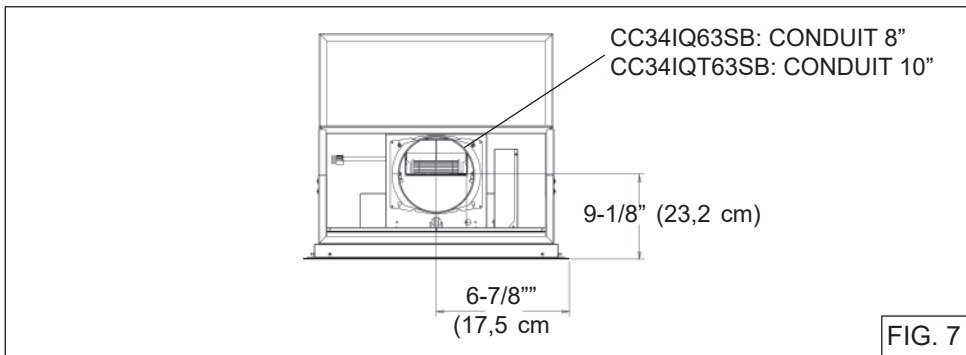
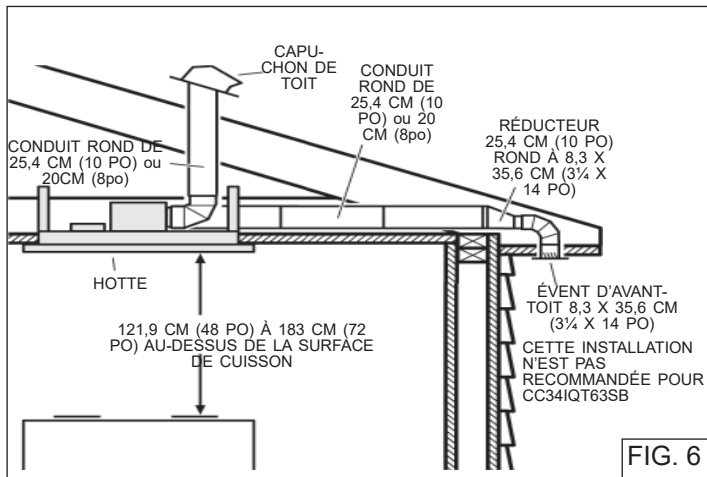
1. Décidez de l'emplacement des conduits entre la hotte et l'extérieur. Fig. 6.

2. Un tracé droit et court permet à la hotte d'être plus efficace. Pour des performances optimales, il est recommandé d'avoir un conduit droit de 18 à 24 po avant d'utiliser un coude.

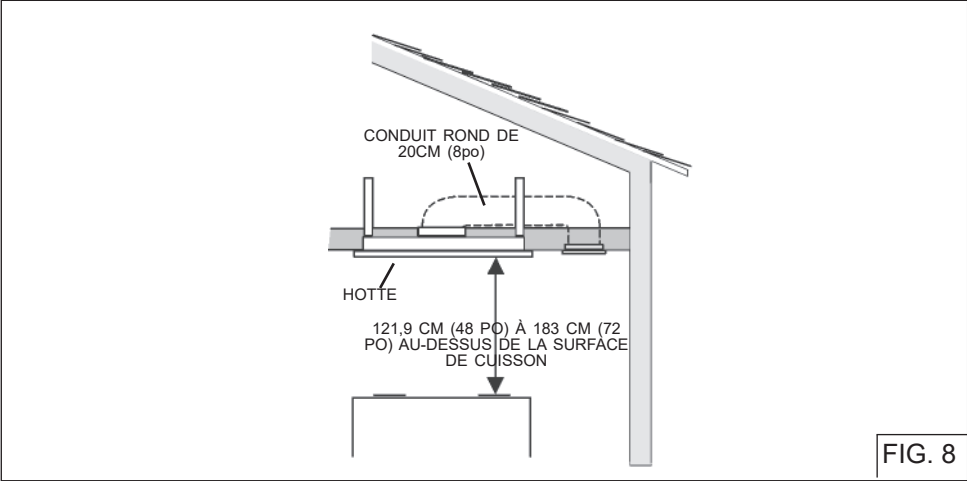
3. Des conduits longs, des coudes et des transitions réduisent son efficacité. En utiliser le moins possible. Pour plus d'efficacité, des conduits plus gros peuvent être nécessaires si le tracé est trop long.

4. Installez un capuchon mural ou de toit, ou un évent d'avant-toit. Connectez le conduit de métal au capuchon ou évent en progressant vers la hotte. Scellez les joints avec du ruban à conduit à chaque section.

5. L'orientation du ventilateur sur le modèle CC34IQ63SB peut être changée selon l'emplacement de la sortie. Voir Fig. 7 pour les dimensions de la sortie d'air.



Pour le mode recirculation, acheter le KIT ANKCC3463 séparément (En option seulement pour le modèle CC34IQ63SB). Fig.8



PRÉPARATION DE L'OUVERTURE AU PLAFOND

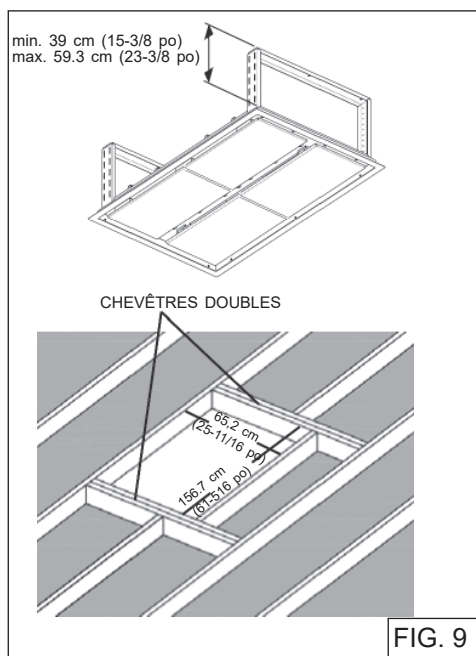
La hotte doit être centrée au-dessus de la surface de cuisson. Assurez-vous d'un espace adéquat dans la structure du plafond pour l'installation de la hotte et des conduits. Pour mieux capter les vapeurs de cuisson, la hotte doit être installée de 122 cm (48 po) à 183 cm (72 po) au-dessus de la cuisinière. (Fig. 6).

Utilisez du bois de la taille des solives pour fabriquer une charpente autour de l'ouverture de la hotte. Fig.9

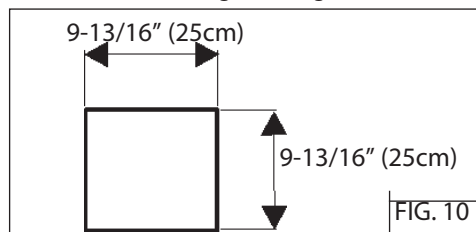
⚠ La structure du plafond doit être capable de supporter le poids de la hotte.

Modèle CC34IQ63SB: 105 livres (48Kg).

Modèle CC34IQ63SB: 121 livres (55Kg).



Pour la version en recirculation:
Faire un'ouverture sur le plafond pour la partie de retour d'air. Voir Fig. 10 et Fig.24.



PRÉPARATION DU SUPPORT DE LA HOTTE

1. Construisez une charpente, tel qu'illustré à la Fig. 11.
2. La structure doit être capable de supporter son propre poids et celui de la hotte.

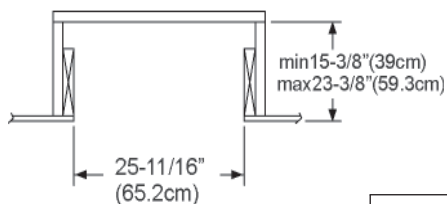
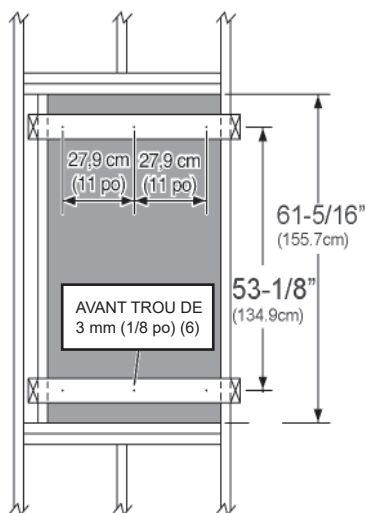
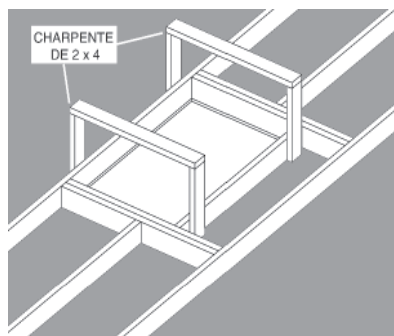


FIG.11

INSTALLATION DE LA HOTTE

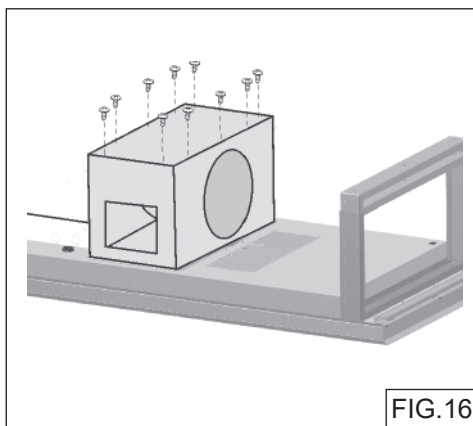
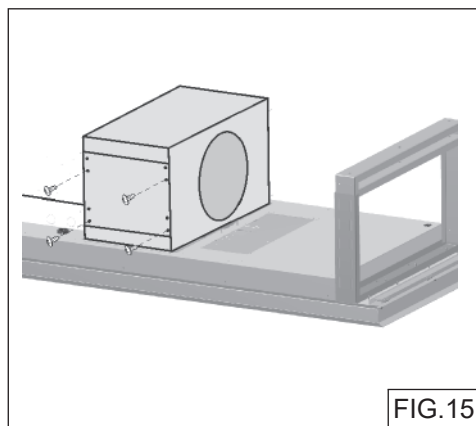
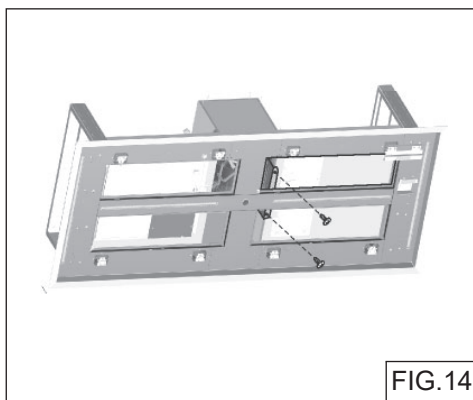
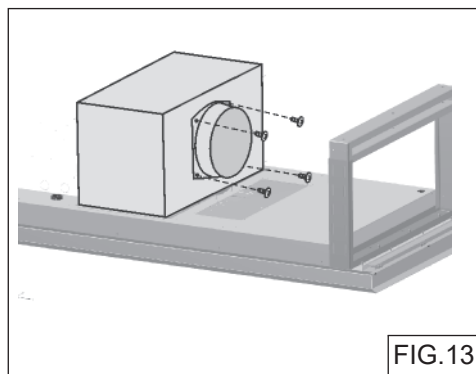
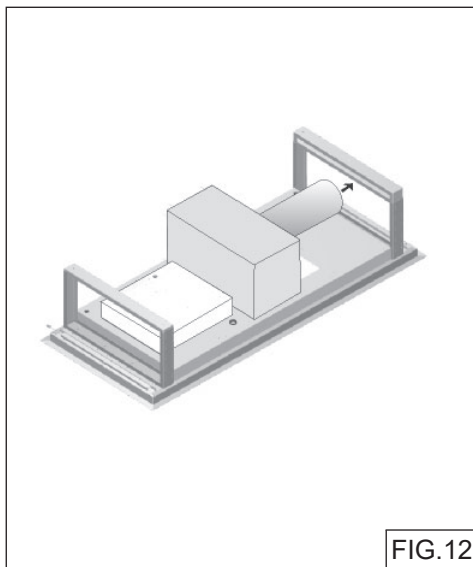
⚠ ATTENTION : Il est recommandé d'avoir plusieurs d'installateurs, compte tenu de la taille et du poids de cette hotte.

1. La hotte est livrée de manière à recevoir un conduit de sortie en position horizontale et est prête à installer (Fig.12).

Seulement pour le modèle CC34IQ63SB (1 moteur):

Pour modifier la direction du conduit sans utiliser de coudes:

- Enlevez (4) vis du collet d'évacuation (Fig.13).
- Enlevez (2) vis à l'intérieur du boîtier du ventilateur (Fig.14).
- Enlevez (4) vis des côtés du boîtier du ventilateur (Fig.15).
- Enlevez (10) vis sur le boîtier du ventilateur (Fig. 16).



• Tournez le ventilateur de 90 degrés et réinstallez (2) vis (Fig.17). Réinstallez les couvercle du boîtier, le clapet et les vis.

2. Ajustez la hauteur des cadres de soutien télescopiques et serrures a les vis et rondelles (Fig. 18).

⚠ Attention: Ajustez la hauteur avant l'installation.

3. Soulevez la hotte dans l'ouverture du plafond.

4. Fixez chaque cadre de soutien de la hotte à la charpente de bois à l'aide des (6) tire-fonds de 6 x 60 mm et rondelles fournis. Fig. 19.

5. Installez le conduit et scellez les joints avec du ruban à conduit.

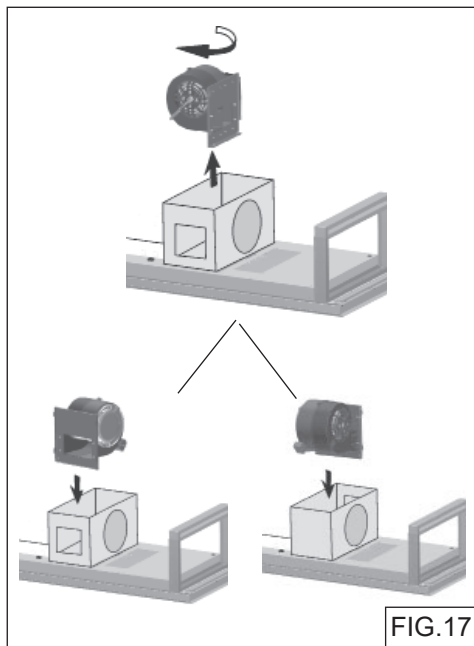


FIG.17

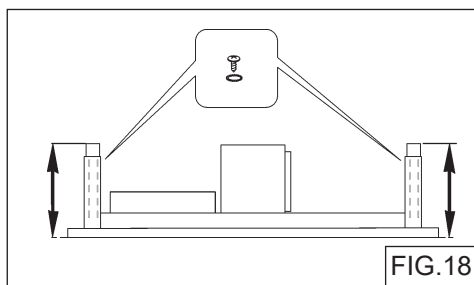


FIG.18

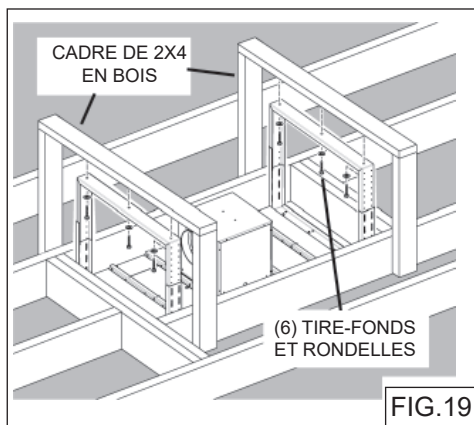


FIG.19

RACCORD DU CÂBLAGE



AVERTISSEMENT : Les travaux d'électricité doivent être effectués par des personnes qualifiées en respectant les codes et les normes en vigueur. Cette hotte de cuisine doit être correctement mise à la terre.

1. Enlevez les (2) vis du couvercle du compartiment électrique Fig. 20.
2. Amener un câble électrique 120 VCA à deux fils plus un fil de mise à la terre près de l'ouverture préamorcée de 3/4 po située à l'arrière de la hotte. Fig. 21.
3. Enlevez l'ouverture préamorcée de 19 mm (3/4 po) à l'arrière de la hotte.
4. Dans le boîtier électrique où il est écrit «ENTRÉE 120 VCA», enlevez les deux (2) vis qui retiennent le couvercle à la boîte métallique de câblage. Fig. 22.
5. Passer le câble 120 VCA dans le boîtier et le fixer à l'aide d'un serre-câble approprié.
6. Effectuez les connexions électriques à l'intérieur du boîtier. Branchez les fils blancs ensemble, les fils noirs ensemble et le fil vert avec le fil de terre.
7. Remplacez le couvercle du boîtier de câblage et les vis. Remplacez le couvercle du compartiment électrique et les vis. Assurez-vous qu'aucun des câbles n'est coincé entre le couvercle et le boîtier.

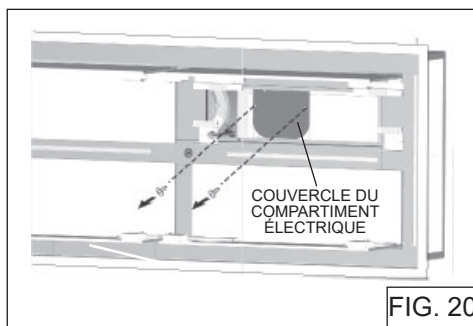


FIG. 20

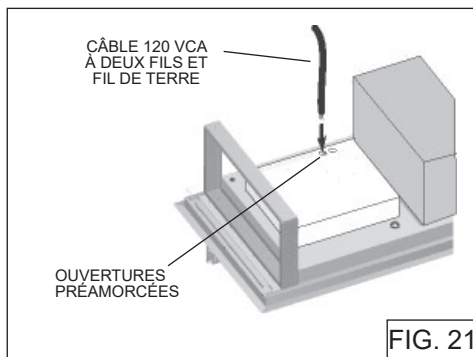


FIG. 21

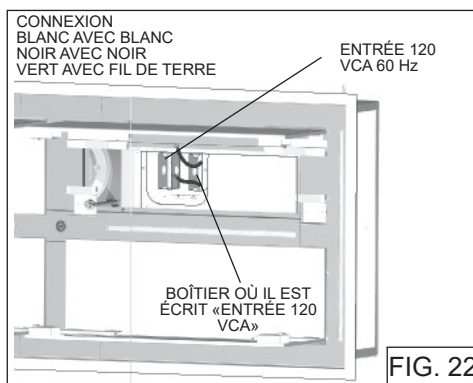
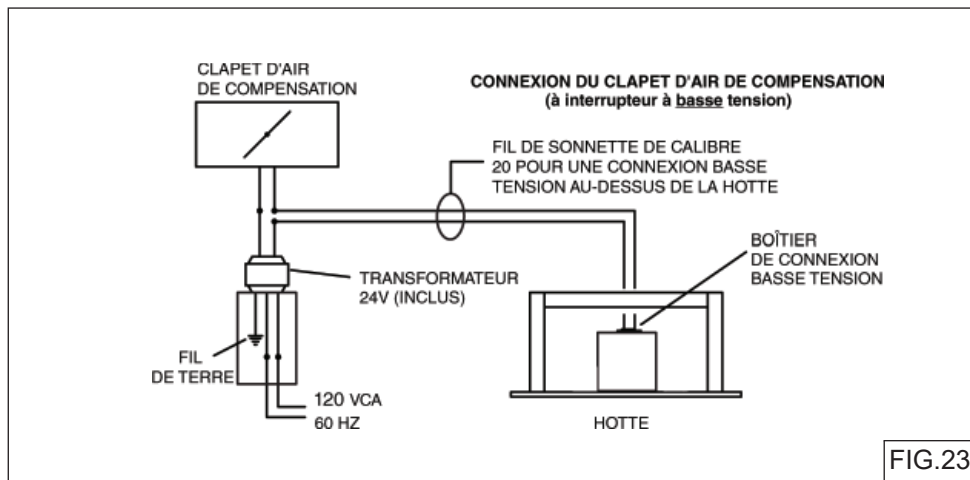


FIG. 22

CLAPET D'AIR DE COMPENSATION

ATTENTION: La hotte est compatible seulement avec le Clapet d'air de compensation Broan modèle MD8T (pour CC34IQ63SB) ou MD10T (pour CC34IQ763SB), vendu séparément.

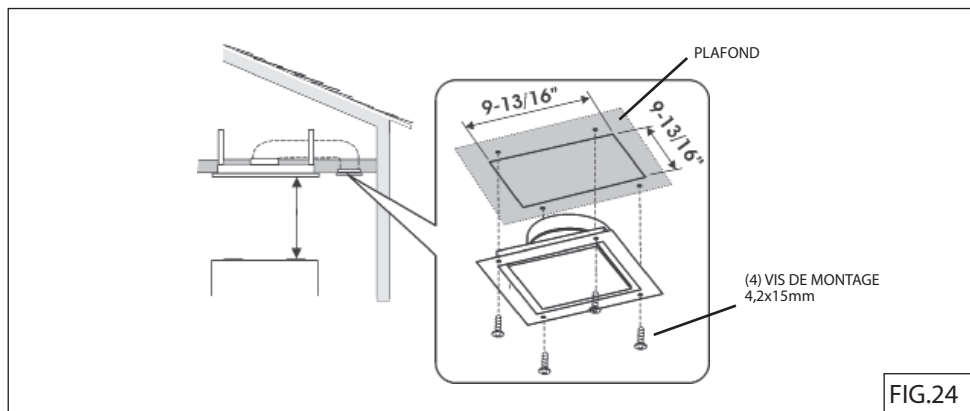
Connectez le clapet d'air de compensation avec des fils de basse tension, tel qu'illustré. Pour de plus amples renseignements, consultez les directives du clapet d'air de compensation. Fig. 23



INSTALLER LA SECTION POUR LE RETOUR D'AIR (VERSION EN RECIRCULATION)

Acheter le kit de recirculation ANKCC3463, vendu séparément (en option seulement pour le modèle CC34IQ63SB). Le kit comprend la section pour le retour d'air et les filtres à charbon.

Fixer la partie pour le retour d'air sur le plafond en utilisant (4) vis de montage 4,2x15mm. Voir Fig. 24

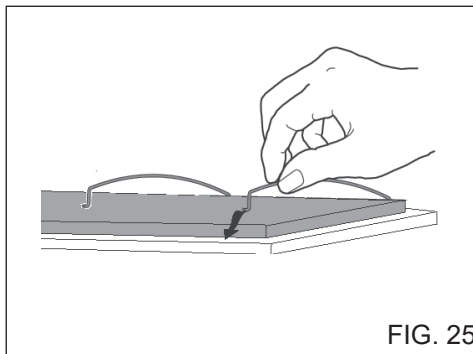


INSTALLATION DE FILTRES À RECIRCULATION (SEULEMENT POUR HOTTE EN RECIRCULATION)

Les filtres à recirculation sont inclus dans le kit ANKCC3463. Achetez des filtres de recirculation (AFCCC3463) séparément.

Placer le filtre de recirculation à l'extérieur du filtre à graisses et le bloquer à l'aide de (4) dispositifs de retenue. Voir fig.25.

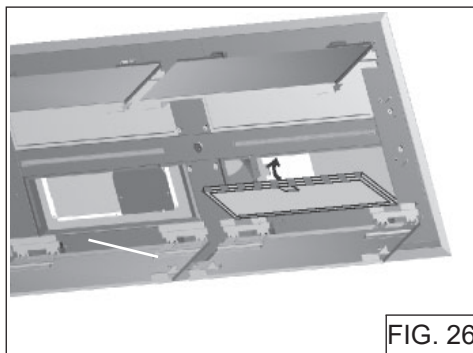
Le Kit et le filtre de recirculation sont en option seulement pour le modèle CC34IQ63SB.



INSTALLATION DES FILTRES

1. Pour installer les filtres à graisses, alignez les languettes arrière des filtres dans les fentes de la hotte. Enfoncez la languette métallique, poussez le filtre en place et relâchez la languette. Vérifiez si le filtre est bien fixé une fois replacé. Fig.26.
2. Pour enlever les filtres pour le nettoyage, enfoncez la languette métallique afin de dégager les filtres de la hotte. Inclinez le filtre vers le bas et enlevez-le.

NOTE: Retirez le film protecteur des filtres à graisse et de toutes les pièces en acier avant de cuire sous la hotte.



CALIBRER LE VENTILATEUR

IQ^{MC}

Une fois la hotte installée et connectée, enclenchez le processus de calibration (notre Technologie de performance garantie s'assure que le débit d'air optimal sera émis). Avant le calibration, assurez-vous que les filtres, les ampoules d'éclairage et les conduits sont installés.

CALIBRAGE Fig. 27

Maintenez le bouton de calibration pendant 3 secondes; le bouton s'allumera jusqu'à 13 minutes. Le ventilateur se met en marche et le calibration commence. Une fois le calibration terminé, il y a deux possibilités :

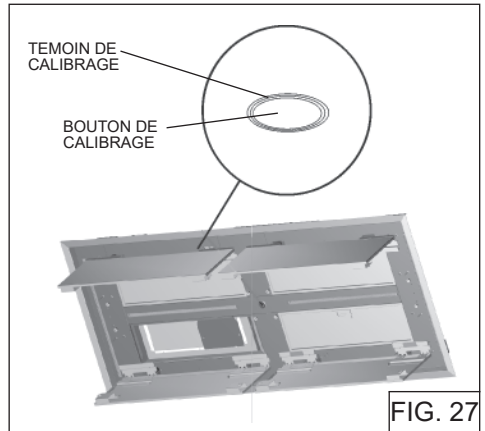


FIG. 27

1. Le ventilateur s'arrête et la lumière du bouton

de calibration reste allumée = Calibration réussie. Appuyez sur le bouton pour éteindre la DEL.

Remarque : La DEL s'éteindra aussi si vous sélectionnez n'importe quelle vitesse de ventilateur à l'aide de la commande.

2. Le ventilateur s'arrête et la lumière du bouton de calibration clignote continuellement = Trop de restriction dans le conduit empêchant le ventilateur IQ^{MC} d'atteindre le débit d'air nominal. Le ventilateur se règle automatiquement à l'intensité maximale.

REMARQUE : Les causes les plus courantes de restriction sont : un clapet coincé (clapet antire-foulement, capuchon mural, capuchon de toit), un trop grand nombre de coudes, un conduit dont la dimension est 80 % inférieure à la sortie de la hotte, une mauvaise transition, l'utilisation de conduit flexible et/ou un conduit écrasé.

Trois options s'offrent à vous si le débit de votre hotte est soumis à une restriction trop importante :

1. Accepter le débit tel quel.

a. Appuyez sur le bouton de calibration pour accepter le débit d'air tel quel. Le ventilateur IQ^{MC} est maintenant configuré au meilleur rendement possible. Le témoin de calibration clignotant s'éteint. Remarque : La DEL s'éteindra aussi si vous sélectionnez n'importe quelle vitesse de ventilateur à l'aide de la commande.

2. Corriger la restriction, effacer les données du calibration original et recommencer le calibration.

a. Corrigez la restriction dans le conduit.

b. Effacez les données du calibration original en maintenant le bouton de calibration pendant 10 secondes. Le témoin clignotera 3 fois pour confirmer et le ventilateur retournera aux paramètres par défaut.

c. Recommencez le calibration depuis le début.

3. Effacer les données de calibration pour rétablir les paramètres par défaut de la hotte et obtenir le rendement standard à haute pression du ventilateur.

a. Effacez les données de calibration pour rétablir les paramètres par défaut de la hotte en maintenant le bouton de calibration pendant 10 secondes. Le témoin clignotera 3 fois pour confirmer et le ventilateur retournera aux paramètres par défaut.

Garantie limitée

Période de garantie et exclusions : Broan-NuTone LLC (l'« entreprise ») garantit au consommateur qui achète son produit (« vous ») que le produit (le « produit ») restera exempt de défauts importants dans ses composants ou sa fabrication pendant une période de cinq (5) ans à compter de la date de l'achat initial (ou pour une période plus longue si la loi en vigueur l'exige) ou une période de deux (2) ans à compter de la date de la prestation d'un service sur le produit.

La garantie limitée des pièces de rechange fournies par l'entreprise et de tout produit réparé ou remplacé en vertu de cette garantie est valide pour la durée non écoulée de la période de garantie initiale (ou d'une période plus longue si la loi en vigueur l'exige).

LA PRÉSENTE GARANTIE NE S'APPLIQUE PAS AUX DÉMARREURS DE LAMPE FLUORESCENTE, NI AUX TUBES, AMPOULES, FUSIBLES, FILTRES, CONDUITS, CAPUCHONS DE TOIT, CAPUCHONS MURAUX ET AUX AUTRES ACCESSOIRES POUR CONDUITS. Cette garantie exclut : a) l'entretien normal, b) l'usure normale, c) les produits et les pièces ayant fait l'objet d'une utilisation mauvaise, abusive ou anormale, d'une négligence, d'un accident, d'un entretien ou d'un entreposage, d'une réparation ou d'un entretien inadéquats ou insuffisants (sauf s'il s'agit d'une réparation effectuée par l'entreprise), d) les dommages attribuables à une installation incorrecte ou à une installation ou utilisation contraires aux recommandations ou aux instructions, e) les dommages attribuables au contact de l'air salin, f) les dommages survenus durant le transport, g) l'usure normale de la finition, h) les produits d'utilisation commerciale ou non résidentielle, i) les dommages causés par le feu, une inondation ou une autre catastrophe naturelle, ou j) les produits dont le numéro de série a été altéré ou effacé. Cette garantie ne s'applique qu'aux produits vendus aux consommateurs en Amérique du Nord.

La présente garantie remplace les garanties précédentes et, sous réserve de la loi applicable, n'est pas transférable par l'acheteur initial.

Aucune autre garantie : La présente garantie limitée énonce l'unique obligation de l'entreprise et votre seul recours pour les produits défectueux. Les garanties qui précèdent sont exclusives et l'emportent sur les autres garanties et modalités, expresses ou implicites. **DANS TOUTE LA MESURE PERMISE PAR LA LOI EN VIGUEUR, L'ENTREPRISE SE DÉGAGE DES AUTRES GARANTIES ET MODALITÉS EXPRESSES ET DES GARANTIES ET MODALITÉS IMPLICITES EN VERTU DE LA LOI, Y COMPRIS, SANS S'Y LIMITER, LES GARANTIES DE QUALITÉ MARCHANDE ET D'ADAPTATION À UN USAGE PARTICULIER.** Dans la mesure où la loi applicable interdit l'exclusion des garanties ou modalités implicites, la durée d'une garantie ou modalité implicite applicable est restreinte à la période indiquée pour la garantie expresse ci-dessus. Certains territoires de compétence (ce qui peut inclure la province de Québec ou certains États des États-Unis) interdisent les limites à la durée des garanties implicites; la restriction susmentionnée pourrait donc ne pas s'appliquer à vous. Les descriptions orales ou écrites du produit ont pour seul objet d'indiquer les produits et ne sauraient être interprétées dans le sens d'une garantie expresse.

Autant que possible, chaque disposition de cette garantie limitée est interprétée de sorte qu'elle soit valide sous le régime de la loi applicable, mais si l'une de ses dispositions est déclarée interdite ou nulle, cette disposition n'est nulle que dans la mesure de cette interdiction ou nullité, et les autres éléments de cette disposition ainsi que les autres dispositions de la garantie limitée restent valides.

Recours : Durant la période de la garantie limitée applicable, l'entreprise fournira, à son choix, des pièces de rechange ou des services de réparation ou de remplacement sans frais pour tout produit ou toute pièce de produit, dans la mesure où l'entreprise constate que la présente garantie limitée s'applique à ce produit ou à cette pièce dans le contexte d'une utilisation et d'un entretien normaux. L'entreprise vous expédiera le produit réparé, son remplacement ou les pièces de rechange sans frais. Vous assumez la totalité des coûts de mise hors service, de réinstallation, d'expédition et d'assurance et les autres frais de transport associés à la livraison du produit ou de la pièce à l'entreprise. Si vous devez envoyer le produit ou la pièce à l'entreprise, conformément à ses instructions, vous devez emballer adéquatement le produit ou la pièce; l'entreprise n'est pas responsable des dommages survenus durant le transport. L'entreprise se réserve le droit d'utiliser des produits ou pièces remis à neuf, réparés ou remanufacturés aux fins de réparation ou de remplacement dans le cadre de la garantie. Ces produits et ces pièces seront comparables quant à la fonction et aux performances avec les produits ou pièces d'origine, et protégés par une garantie pour la durée restante de la période de garantie initiale (ou d'une période plus longue si la loi en vigueur l'exige).

L'entreprise se réserve le droit, à son entière discrétion, de rembourser le montant que vous avez effectivement payé pour le produit. Si le produit ou la pièce n'est plus disponible, elle peut le ou la remplacer par un produit similaire de valeur égale ou supérieure, à son entière discrétion. Ceci constitue votre seul recours advenant un non-respect de la présente garantie limitée.

Exclusion des dommages : **L'OBLIGATION DE L'ENTREPRISE DE FOURNIR DES PIÈCES DE RECHANGE, OU DE RÉPARER OU REMPLACER LE PRODUIT, À SON CHOIX, EST VOTRE SEUL RECOURS EN VERTU DE LA PRÉSENTE GARANTIE LIMITÉE ET L'UNIQUE OBLIGATION DE L'ENTREPRISE. CETTE DERNIÈRE N'EST PAS RESPONSABLE DES DOMMAGES INDIRECTS OU SPÉCIAUX DÉCOULANT DIRECTEMENT OU INDIRECTEMENT DU PRODUIT, DE SON UTILISATION OU DE SES PERFORMANCES.**

Certains territoires de compétence interdisent l'exclusion ou la restriction des dommages indirects; la restriction qui précède pourrait donc ne pas s'appliquer à vous. Cette garantie vous donne des droits spécifiques, et vous pourriez aussi avoir d'autres droits, qui varient selon le territoire de compétence. Les renoncements, exclusions et restrictions de responsabilité aux termes de cette garantie ne s'appliquent pas dans la mesure où la loi en vigueur interdit une telle application.

La présente garantie ne s'applique qu'au remplacement ou à la réparation de produits ou pièces de produit défectueux effectué au principal lieu d'affaires de l'entreprise, et exclut les frais de déplacement et de subsistance liés aux services fournis sur le terrain.

Tout soutien que l'entreprise vous fournit ou vous procure et qui n'est pas visé par les dispositions, limites ou exclusions de la présente garantie limitée ne constitue pas une renonciation à ces dispositions, limites ou exclusions, et la fourniture de ce soutien ne prolonge ni ne rétablit la garantie.

L'entreprise ne vous remboursera pas vos dépenses faites pour la réparation ou le remplacement d'un produit défectueux, sauf celles pour lesquelles vous avez obtenu le consentement écrit de l'entreprise.

Comment obtenir le service de garantie : Pour avoir droit au service de garantie, vous devez : a) aviser l'entreprise à l'adresse ou au numéro de téléphone indiqué ci-dessus dans les sept (7) jours qui suivent la date où vous avez eu connaissance de la défectuosité couverte, b) indiquer le numéro de modèle et les données d'identification de la pièce, et c) décrire la nature de toute défectuosité du produit ou de la pièce. Au moment où vous demandez le service de garantie, vous devez présenter une preuve de la date de l'achat initial. Si vous ne pouvez pas produire de copie de l'original de la garantie limitée, alors ce seront les modalités de la dernière version de la garantie limitée de votre produit de l'entreprise qui s'appliqueront.

SPÉCIFICATIONS DU PRODUIT

Toutes les illustrations et les spécifications des produits contenues dans ce catalogue sont établies d'après les plus récentes données disponibles en date de la production. Broan-NuTone LLC et BEST^{MD} se réservent le droit de modifier les prix, les couleurs, les composants, les produits, les spécifications et les modèles, de déplacer le lieu de fabrication et de cesser la production d'un modèle ou d'un produit, et ce, en tout temps et sans préavis.

Best

Broan-NuTone LLC : 926 W. State Street, Hartford (WI) 53207

1 800 637-1453

Best^{MD}, 550, boul. Lemire, Drummondville (Québec), Canada (1 866 737-7770) fr.bestrangehoods.ca

PIÈCES DE RECHANGE

Modèle CC34IQ63SB

REPÈRE	N° DE PIÈCE	DESCRIPTION
1	B003103711	CADRE
9	B08087836	FILTRE À GRAISSES
26	B023004301	DEL
115	BE3350233	BOÎTIER DE CONNEXION DU CÂBLE D'ALIMENTATION
343	B08094449	COUVERCLE DU COMPARTIMENT ELECTRIQUE
362	B02011422	AIMANT
477	B02011376	CHARNIERE
506	B08080878	CARTE BLDC
507	B06102584	BOUTON DE CALIBRAGE
508	B02301083	CÂBLE COMMANDES
511	B06102814	ENSEMBLE COMMANDES
998	B080810962	ENSEMBLE DE FIXATION
999	B080814337	ENSEMBLE DE DIRECTIVES D'INSTALLATION
CAS	B06002259	ENSEMBLE MOTEUR
IME	B06102805	ENSEMBLE D'INSTALLATION ÉLECTRIQUE
AQI	B06102812	ENSEMBLE DE BOÎTIER COMMANDES
ARU	B08092501	ENSEMBLE RACCORD
ACR3	B08999186	TÉLÉCOMMANDE
-	B902980139	FILTRES À RECIRCULATION

Modèle CC34IQT63SB

REPÈRE	N° DE PIÈCE	DESCRIPTION
1	B003103711	CADRE
9	B08087836	FILTRE À GRAISSES
26	B023004301	DEL
115	BE3350233	BOÎTIER DE CONNEXION DU CÂBLE D'ALIMENTATION
343	B08094449	COUVERCLE DU COMPARTIMENT ELECTRIQUE
362	B02011422	AIMANT
477	B02011376	CHARNIERE
506	B08080879	CARTE BLDC
507	B06102584	BOUTON DE CALIBRAGE
508	B02301083	CÂBLE COMMANDES
511	B06102806	ENSEMBLE COMMANDES
998	B080810962	ENSEMBLE DE FIXATION
999	B080814337	ENSEMBLE DE DIRECTIVES D'INSTALLATION
CAS	B06002259	ENSEMBLE MOTEUR
IME	B06102805	ENSEMBLE D'INSTALLATION ÉLECTRIQUE
AQI	B06102812	ENSEMBLE DE BOÎTIER COMMANDES
ARU	B02011533	ENSEMBLE RACCORD
ACR3	B08999186	TÉLÉCOMMANDE

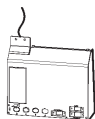
PIÈCES DE RECHANGE

Modèle

CC34IQ63SB

CC34IQT63SB

IME



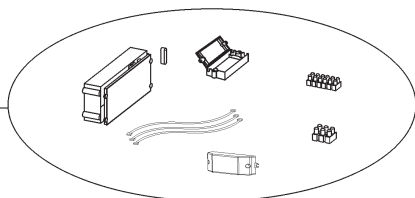
ARU
Modèle CC34IQ63SB

506

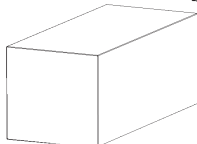
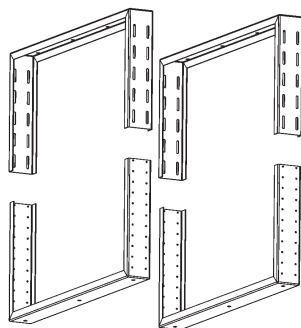
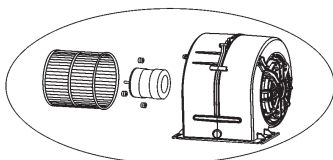


ARU
Modèle CC34IQT63SB

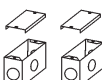
511



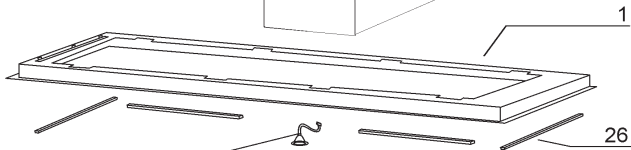
CAS



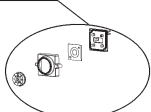
115



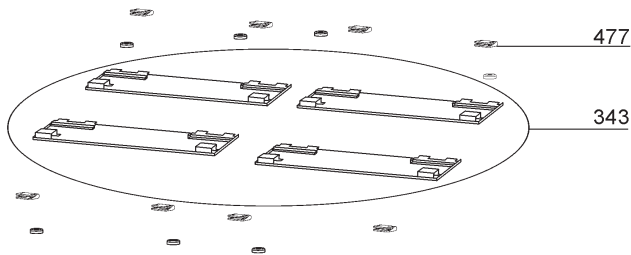
507



AQI



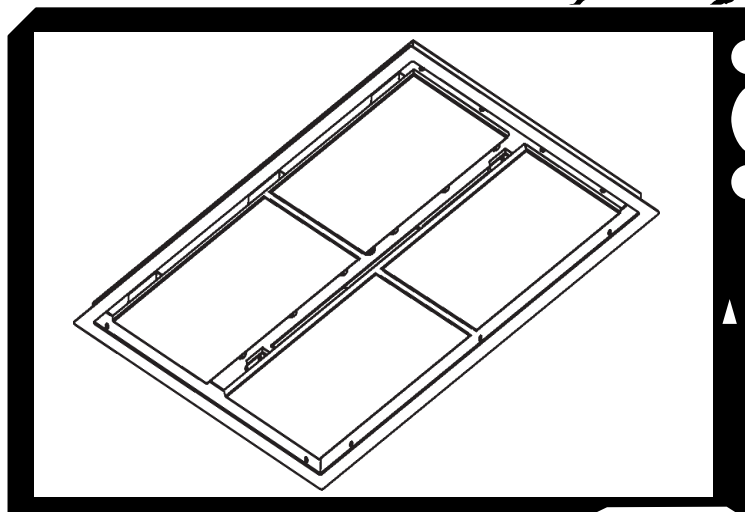
508



ACR3



best®



Modelo CC34IQ63SB CC34IQT63SB

ENGLISH.....	3
FRANÇAIS.....	23
ESPAÑOL.....	45

En EE.UU.: BEST Hartford, Wisconsin

En CANADÁ - BEST Drummondville, QC, Canada

REGISTRE SU PRODUCTO EN LÍNEA EN: www.BestRangeHoods.com/register
Para obtener información adicional visite www.BestRangeHoods.com

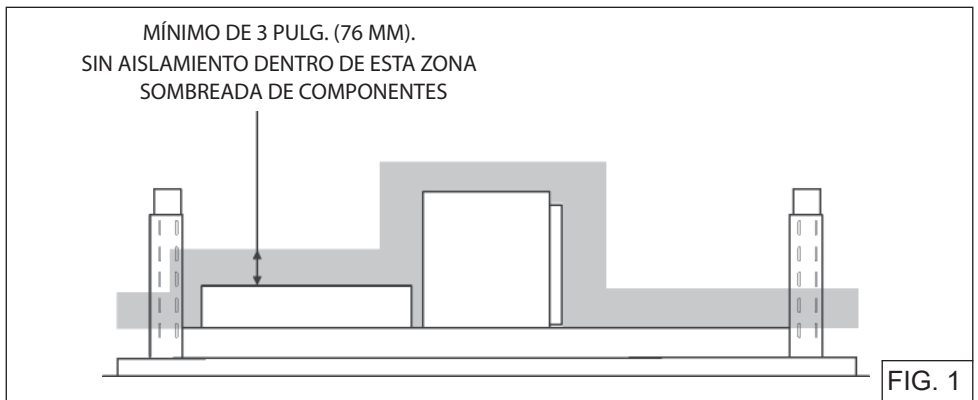
LEA Y CONSERVE ESTAS INSTRUCCIONES

! PARA COCINAS DOMÉSTICAS SOLAMENTE **!**

⚡ **ADVERTENCIA**

PARA REDUCIR EL RIESGO DE INCENDIOS, DESCARGAS ELÉCTRICAS O LESIONES PERSONALES, RESPETE LO SIGUIENTE:

1. Utilice esta unidad sólo de la manera prevista por el fabricante. Si tiene preguntas, comuníquese con el fabricante a la dirección o el número de teléfono que aparecen en la garantía.
2. Antes de realizar el mantenimiento de la unidad o de limpiarla, desconecte la energía en el panel de servicio y bloquéelo para evitar conectar la energía accidentalmente. Cuando no se pueda bloquear el mecanismo de desconexión, fije firmemente un dispositivo de advertencia que se destaque, como una etiqueta, en el panel de servicio.
3. Una persona capacitada debe realizar el trabajo de instalación y el cableado eléctrico conforme a los códigos y estándares correspondientes, incluidos los códigos y estándares de construcción de resistencia al fuego.
4. Es necesario que haya suficiente aire para que se produzca una combustión adecuada y los gases de los equipos que consumen combustible se puedan evacuar a través del conducto de humo (chimenea) para evitar el contratiraje. Siga las directrices y las normas de seguridad del fabricante del equipo de calefacción como las publicadas por la Asociación Nacional de Protección contra Incendios (National Fire Protection Association, NFPA) y la Sociedad Americana de Ingenieros en Calefacción, Refrigeración y Aire Acondicionado (American Society for Heating, Refrigeration and Air Conditioning Engineers, ASHRAE) y las autoridades de códigos locales.
5. Cuando realice cortes o perforaciones en paredes o techos, no dañe el cableado eléctrico ni otros servicios públicos ocultos.
6. Los ventiladores entubados siempre deben ventilarse hacia el exterior.
7. No utilice esta unidad con un dispositivo de control de velocidad de estado sólido independiente.
8. Para reducir el riesgo de incendios, sólo utilice entubados de metal.
9. Este artefacto se debe conectar a tierra.
10. Instalación del tipo que no es IC: El aislamiento térmico no debe cubrir la cubierta superior de la campana y debe estar separado 3 pulgadas (76 mm) de todos los lados. (Fig. 1)



PARA REDUCIR EL RIESGO DE INCENDIO PROVOCADO POR GRASA PRESENTE EN LA ESTUFA:

- A. Nunca deje desatendidas las unidades de la superficie cuando estén en ajustes altos de calor. Los alimentos en ebullición provocan derrames grasosos y con humo que se pueden incendiar. Caliente el aceite lentamente en ajustes de calor bajo o medio.
- B. Siempre ENCIENDA la campana cuando esté cocinando a altas temperaturas o flamee alimentos (por ejemplo crepas Suzette, cerezas Jubilee, bistec con pimienta flameado).
- C. Limpie frecuentemente los ventiladores. No permita la acumulación de grasa en el ventilador ni en el filtro.
- D. Use una cacerola del tamaño adecuado. Siempre use utensilios de cocina que sean apropiados para el tamaño del elemento de la superficie.

PARA REDUCIR EL RIESGO DE LESIONES A LAS PERSONAS EN CASO DE UN INCENDIO PRODUCIDO POR GRASA EN UNA ESTUFA, OBSERVE LO SIGUIENTE*:

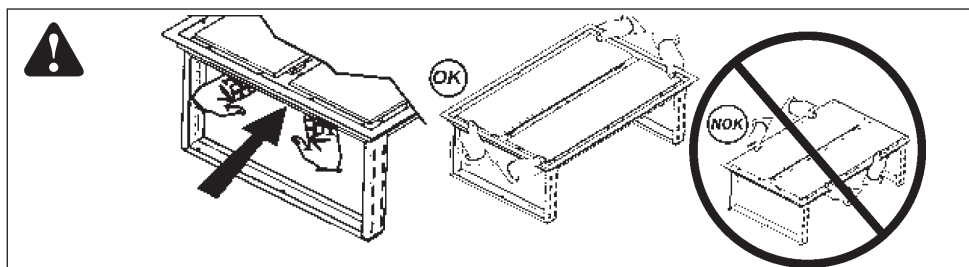
1. APAGUE LAS LLAMAS con una tapa de ajuste exacto, una charola para galletas o una bandeja de metal, y después apague el quemador. PROCEDA CON CUIDADO PARA EVITAR QUEMADURAS. Si las llamas no se apagan inmediatamente, EVACUE EL ÁREA Y LLAME A LOS BOMBEROS.
2. NUNCA LEVANTE UNA CACEROLA INCENDIADA porque podría ocasionarse quemaduras.
3. NO TRATE DE APAGAR EL FUEGO CON AGUA ni con trapos o toallas de cocina mojados, pues ocasionará una explosión violenta de vapor.
4. Use un extintor SOLO si:
 - A. El extintor es de Clase ABC y usted sabe cómo hacerlo funcionar.
 - B. El incendio es pequeño y está confinado al área en la que se inició.
 - C. Se está llamando al Departamento de Bomberos.
 - D. Puede combatir el incendio teniendo la espalda orientada hacia una salida.

* Basado en "Kitchen Fire Safety Tips" (Sugerencias para la seguridad contra incendios en la cocina).

PRECAUCIÓN

1. Solo debe usarse bajo techo.
2. Para reducir el riesgo de incendio y para descargar adecuadamente el aire, asegúrese de dirigir el aire hacia el exterior. No descargue el aire en espacios contenidos entre paredes o cielos rasos, ni en áticos, sótanos bajos ni en la cochera.
3. Tenga cuidado cuando use agentes de limpieza o detergentes.
4. Evite usar bajo la campana de la estufa productos alimenticios que produzcan llamas.
5. Solo para usarse como medio de ventilación general. No debe usarse para la extracción de materiales o vapores peligrosos o explosivos.
6. Para evitar daños a los cojinetes del motor y rotores ruidosos o desbalanceados, mantenga la unidad de potencia protegida contra rociados de yeso, polvos de construcción, etc.
7. Este motor de campana tiene una protección contra sobrecargas térmicas que automáticamente apagará el motor en caso de sobre calentamiento. El motor reanudará su funcionamiento cuando se enfríe. Si el motor continúa apagándose y encendiéndose, solicite servicio para la campana.
8. Para capturar mejor las impurezas producidas al cocinar, la parte inferior de la campana debe estar a una altura mínima de 48 pulg. (121,9 cm) y máxima de 72 pulg. (183 cm) sobre la superficie de cocinado. Consulte el apartado "Instalación del soporte de montaje" para ver las restricciones de montaje.
9. Se recomienda que mas personas hagan la instalación debido al gran tamaño y peso de esta campana.
10. Lea la etiqueta de especificaciones del producto para ver información y requisitos adicionales.
11. Este grupo de alimentación está equipado con un receptor de RF (control remoto opcional se vende por separado). Los cambios o modificaciones no aprobadas expresamente por la parte responsable del cumplimiento podrían anular la autoridad del usuario para operar el equipo. Este control remoto ha sido probado y cumple con los límites establecidos para un dispositivo digital de clase B, acorde a la parte 15 del Reglamento de la FCC e ICES-003 canadiense. Estos límites están diseñados para proporcionar una protección razonable contra interferencias perjudiciales en una instalación residencial. Este control remoto genera, utiliza y puede irradiar energía de radiofrecuencia y, si no se instala y utiliza de acuerdo con las instrucciones, puede causar interferencias perjudiciales a las comunicaciones por radio. Sin embargo, no hay garantía de que no se produzcan interferencias en una instalación particular. Si este equipo causa interferencias perjudiciales para la recepción de radio o televisión, lo cual puede determinarse apagando y encendiendo el equipo, se recomienda al usuario que intente corregir la interferencia por una o varias de las siguientes medidas:
 - Reoriente o cambie la localización de la antena receptora

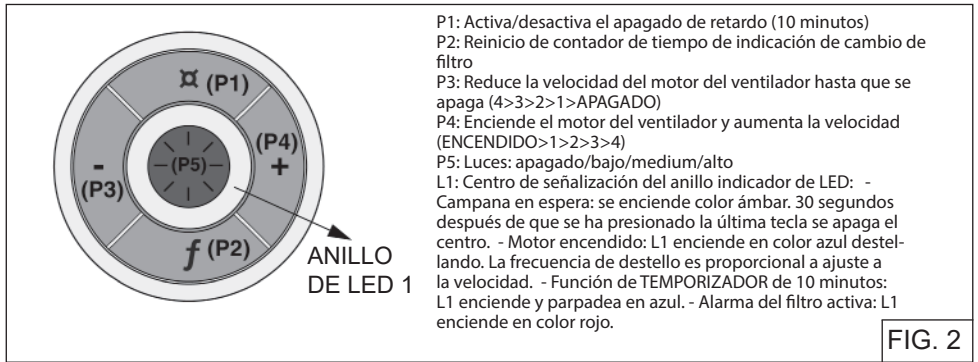
- Aumentar la distancia entre el equipo y el receptor
- Conecte el equipo en un tomacorriente localizado en un circuito diferente al que está conectado el receptor.



FUNCIONAMIENTO

Controles (Fig.2)

La campana se opera mediante los 5 botones pulsadores que se encuentran en la campana y en el control remoto. LED de colores se muestran en el control de campana solamente.



(P1) Interruptor de apagado con retardo

- Su campana incluye un interruptor de apagado con retardo del ventilador de 10 minutos. Oprima una vez este interruptor para activar el temporizador, y el anillo de LED (L1) destella en azul. El ventilador seguirá funcionando 10 minutos. Después de 10 minutos, el ventilador se apaga automáticamente.
- Para cancelar el retardo de 10 minutos, oprima de nuevo el interruptor de retardo.

(P2) Interruptor de alarma del filtro

- Después de 30 horas de funcionamiento del ventilador, se activa la alarma del filtro y el anillo de LED (L1) enciende en color rojo/destella. Indica que es necesario limpiar los filtros antigrasa.
- Después de limpiar los filtros antigrasa, reinicie el contador de horas presionando el botón de reinicio de temporizador/alarma de filtro (P2) mientras se visualice la alarma.

(P3) Reducción de velocidad del ventilador e interruptor de apagado

- Oprima para reducir la velocidad del ventilador, de alta a baja. El anillo de LED (L1) destella en azul a una velocidad proporcional al ajuste del ventilador (por ejemplo: cuatro destellos es alta velocidad, un destello es baja velocidad, etc.)
- Continúe oprimiendo este interruptor para apagar el ventilador.

(P4) Incremento de velocidad del ventilador e interruptor de encendido

- Oprima este interruptor para encender el ventilador a baja velocidad.
- Oprima otra vez para aumentar la velocidad del ventilador, de baja a alta. El anillo de LED (L1) destella en azul a una velocidad proporcional al ajuste del ventilador (por ejemplo: cuatro destellos es alta velocidad, un destello es baja velocidad, etc.)

(P5) Interruptor de la luz






Luces: apagado/bajo/medium/alto.

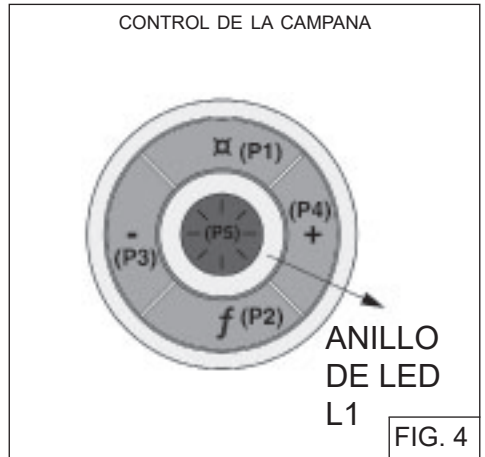
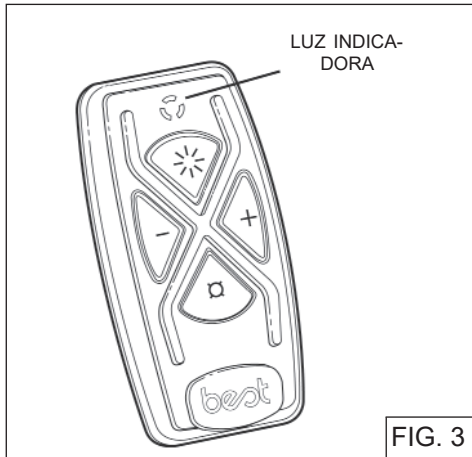
CONTROL REMOTO

El control remoto se enlaza a la campana en la fábrica.




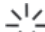
Si por alguna razón se pierde el enlace, siga estas instrucciones:



Para enlazar el control remoto a la campana

1. Apague el motor y las luces de la campana.
2. Pulse los  botones y  del mando a distancia simultáneamente durante 5 segundos hasta que el Indicador de Luz del mando a distancia se enciende (Fig.3). Suelte los botones  y  y pulse y suelte el botón  para confirmar la conexión. En este punto, el Indicador de Luz del mando a distancia a parpadear para confirmar que la conexión está activa.
3. En 3 segundos presione P5 en el control de la campana (Fig.4) El BEEP confirm que el proceso de vinculación se ha realizado correctamente.

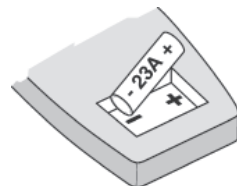


Remote Control Functions (Fig.3)

-  Retraso - Apagado
-  Se reduce la velocidad del ventilador y se apaga
-  Se aumenta la velocidad del ventilador y se enciende
-  Luz

Presione  (Retraso) and  (Luz) en conjunto para restablecer la alarma de filtro.

PRECAUCIÓN RIESGO DE EXPLOSIÓN SI SE REEMPLAZA LA PILA CON UNA DEL TIPO INCORRECTO. DESECHE LA PILA USADA SEGÚN LAS INSTRUCCIONES.



Desecho de la pila

Cuando sea necesario cambiar las pilas, deséchelas únicamente en los recipientes especiales para desecho que encuentra fácil y en gran cantidad, en especial en tiendas que venden productos electrónicos de consumo. El cumplimiento de los reglamentos sobre recolección diferenciada de residuos y, en particular, la disposición adecuada de pilas usadas, contribuye a prevenir posibles efectos negativos sobre el medio ambiente y la salud.

LIMPIEZA Y MANTENIMIENTO

El mantenimiento adecuado de la campana para cocina garantizará el rendimiento correcto de la unidad.

Motor

El motor está constantemente lubricado y nunca necesita engrase. Si los cojinetes del motor hacen un ruido excesivo o inusual, reemplace el motor con el mismo motor de servicio. También se debe reemplazar el propulsor.

Filtro de grasas

Se debe limpiar el filtro de grasas regularmente. Utilice una solución de detergente tibia. El filtro de grasas es apto para lavavajillas. Limpie los filtros que sean completamente de metal del lavavajillas con un detergente sin fosfato. Es posible que se produzca una decoloración del filtro si se usan detergentes con fosfato o como resultado del estado del agua local, pero esto no afectará el rendimiento del filtro. Esta decoloración no está cubierta por la garantía.

Consulte la sección "INSTALACIÓN DE FILTROS" para obtener instrucciones de extracción e instalación.

Limpieza del Acero Inoxidable

LO QUE SE DEBE HACER:

- limpiar regularmente con un paño limpio o un trapo empapado con agua tibia y jabón suave o detergente líquido.
- limpiar siempre en la dirección de las líneas pulidas originales.
- siempre enjuagar bien con agua limpia (2 ó 3 veces) después de la limpieza. secar con un trapo por completo.

LO QUE NO SE DEBE HACER:

- usar cualquier esponja de acero o acero inoxidable o cualquier raspador para eliminar cualquier suciedad persistente.
- usar limpiadores agresivos o abrasivos.
- permitir que se acumule suciedad.
- dejar que el polvo de yeso o cualquier otro residuo de construcción alcance la campana. durante una construcción/renovación, cubrir la campana para cocina para asegurarse de que el polvo no se pegue en la superficie de acero inoxidable.

Cuando elija un detergente, evite lo siguiente:

- todos los limpiadores que contienen lejía, ya que atacarán el acero inoxidable.
- todos los productos que contienen: cloruro, fluoruro, yoduro o bromuro, porque deteriorarán las superficies rápidamente.
- todos los productos combustibles usados para limpiar, como acetona, alcohol, éter, bencol, etc., puesto que son altamente explosivos y nunca se deben usar cerca de la cocina.

PREPARACIÓN DE LA CAMPANA

Desensamble la campana y revise el contenido.

Debe recibir:

1 - Campana

1 - Control remoto

4 - Filtros antigrasa

6 - Pernos de rosca para madera, 6 x 60 mm

6 - Arandelas

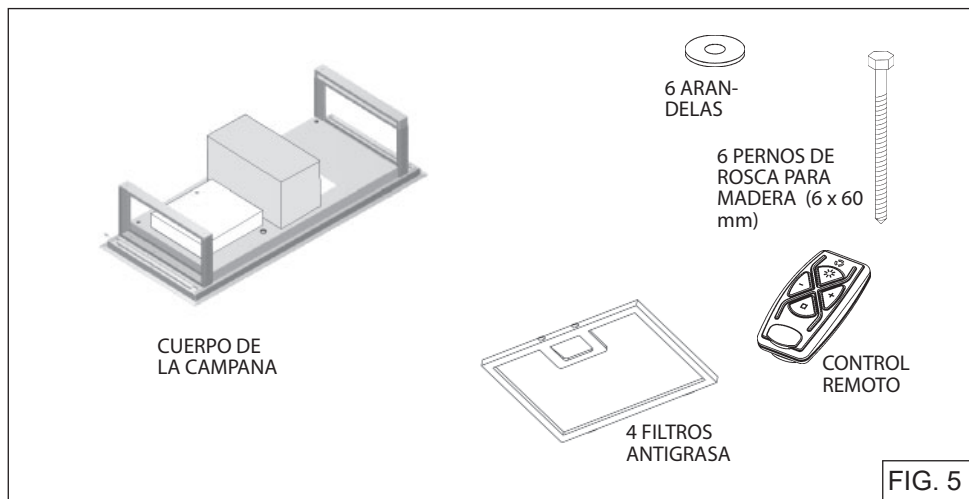


FIG. 5

El instalador es responsable de seleccionar los sujetadores adecuados para la construcción del edificio.

INSTALACION DEL CONDUCTO DE EXTRACCION

NOTA: para evitar el riesgo de incendio, use solamente material de metal.

1. Decida dónde instalará el conducto entre la campana y el exterior. Fig. 6.
2. Un conducto recto y corto permitirá que la campana funcione más eficientemente. Para un rendimiento óptimo, se recomien-

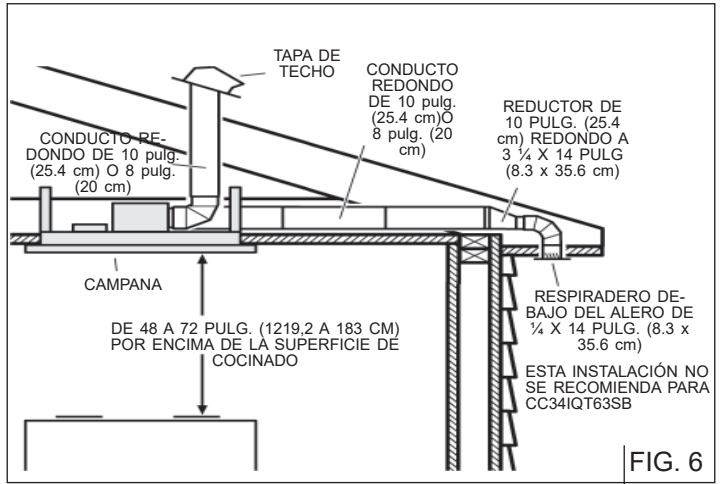


FIG. 6

- da tener un conducto recto de 18 a 24 "antes de usar un codo.
3. Los tramos largos de conductos, codos y transiciones reducirán el rendimiento de la campana. Use tan pocos de ellos como sea posible. Es posible que se requieran conductos más grandes para un mejor funcionamiento con tramos más largos de conductos.
4. Instale una tapa de techo, una tapa de pared o un respiradero debajo del alero. Conecte un conducto metálico redondo en la tapa/respiradero y trabaje hacia atrás, hacia la ubicación de la campana. Use cinta para conductos para sellar las uniones entre las secciones de conductos.
5. El ventilador en el modelo CC34IQ63SB se puede girar de acuerdo con la ubicación de la salida de aire. Consulte las dimensiones de la salida de aire en la Figura 7.

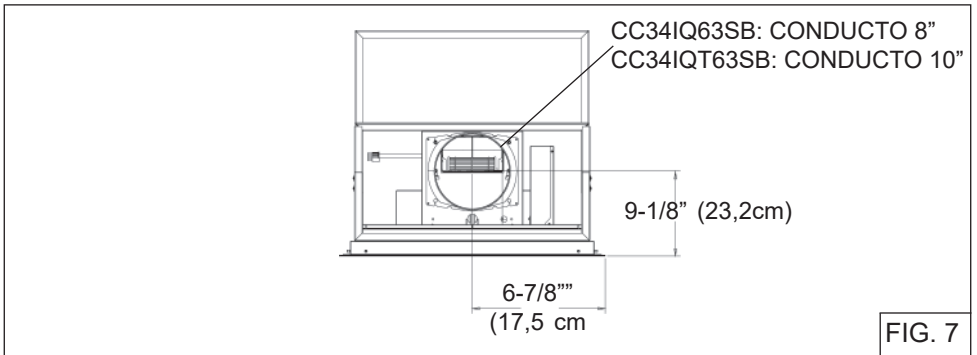
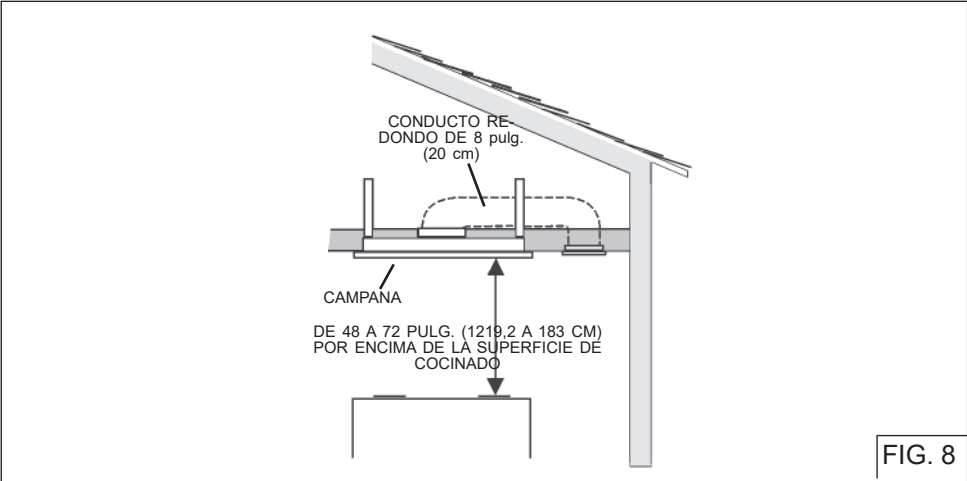


FIG. 7

Por la modalidad sin conducto (filtro), comprar el KIT ANKCC3463 por separado (opcional, solo por el modelo CC34IQ63SB). Fig. 8



PRÉPARATION DE L'OUVERTURE DU PLAFOND

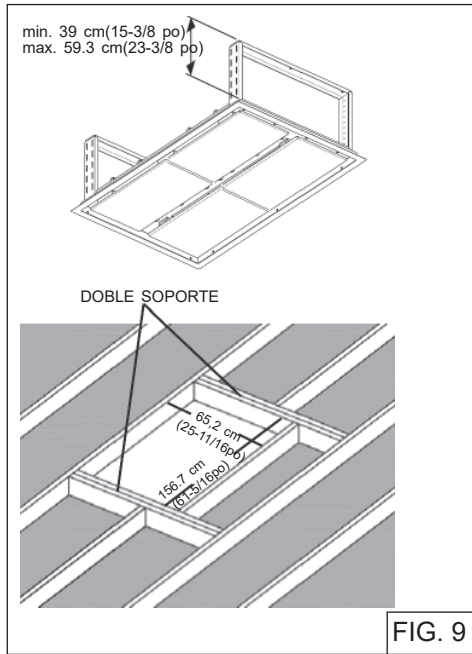
La campana siempre debe centrarse arriba de la estufa. Asegúrese de tener el espacio adecuado en la estructura del techo para instalar la campana y los conductos. La campana debe montarse de 48 a 72 pulg. (120 a 180 cm) por arriba de la estufa para extraer mejor las impurezas al cocinar. Fig.6.

Utilice madera del tamaño de las vigas para crear un marco alrededor de la abertura de la campana. Fig. 9.

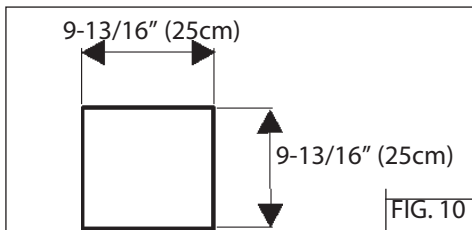
! La estructura del techo también debe soportar el peso de la campana.

Modelo CC34IQ63SB: peso 105 libras (48Kg).

Modelo CC34IQ763SB: peso 121 libras (55Kg).

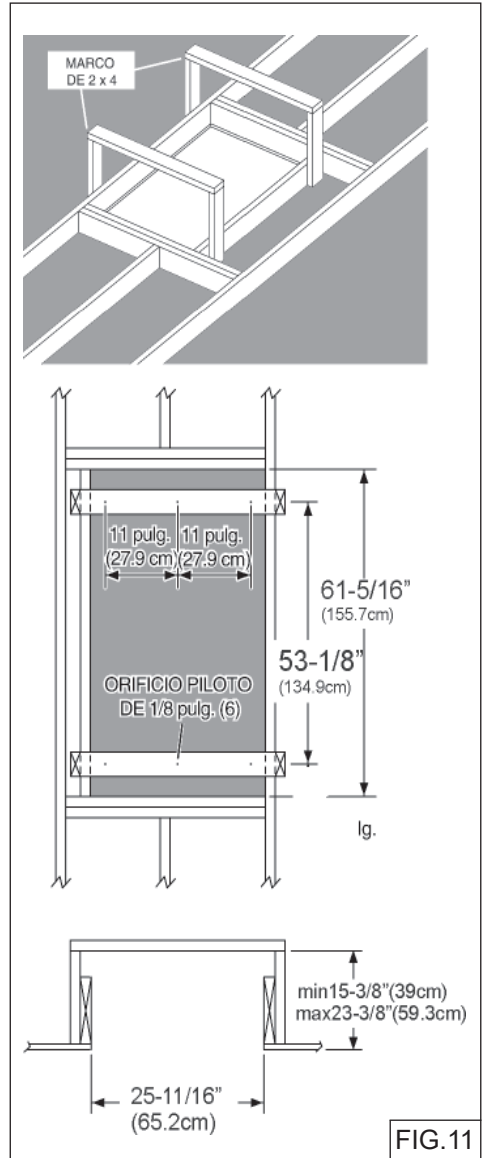


Para la versión no canalizada:
Hacer una abertura en el techo para el parte aérea de retorno. Ver Fig. 10 y Fig.24.



PREPARE EL SOPORTE DE LA CAMPANA

1. Construya un sistema de marco de madera, como se muestra en la Fig. 11.
2. La estructura debe ser capaz de soportar su propio peso, más el peso de la campana.



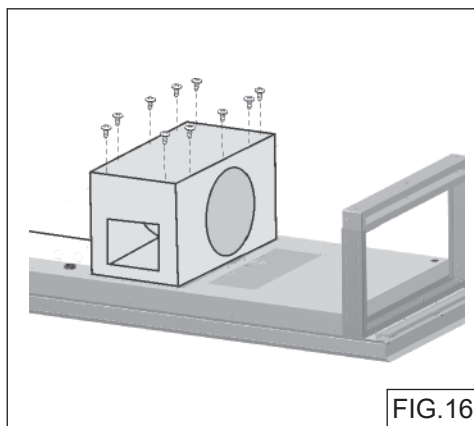
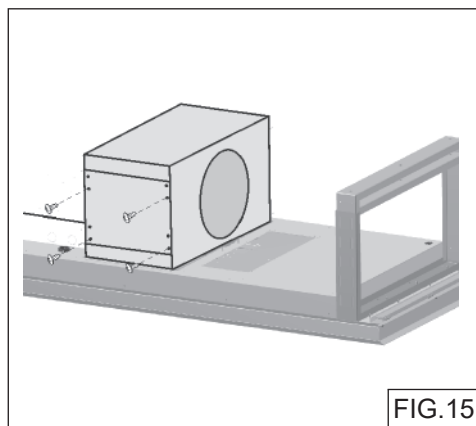
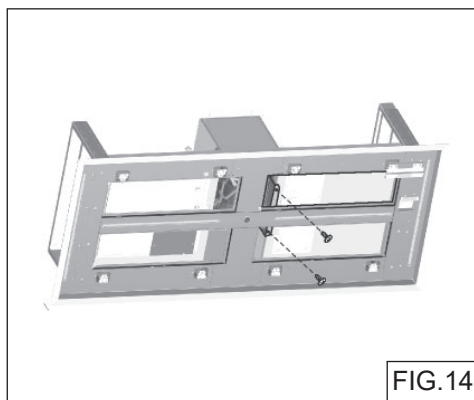
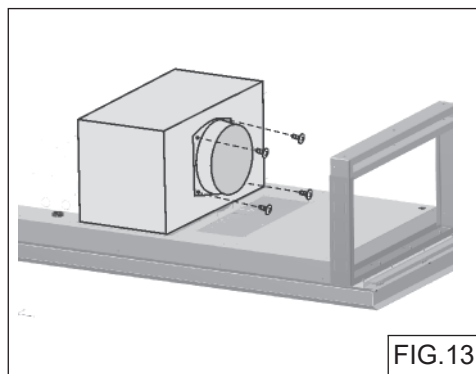
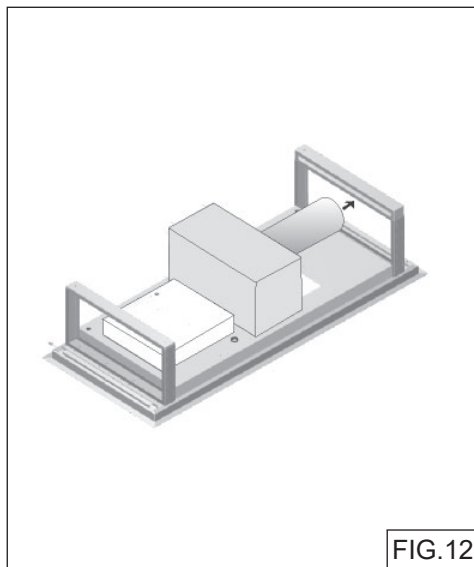
INSTALE LA CAMPANA

⚠ PRECAUCIÓN: Se recomienda que mas instaladores hagan la instalación debido al gran tamaño y peso de esta campana.

1. La campana se envía en posición de descarga de conducto horizontal y está lista para instalarse (Fig.12).

Solamente por el modelo CC34IQ63SB (1 motor):

- Para cambiar la dirección del conducto sin usar codos:
- Retire (2) tornillos de la brida de evacuación (Fig.13).
- Retire (2) tornillos del interior de la caja del ventilador (Fig.14).
- Retire (4) tornillos de los lados de la caja del ventilador (Fig.15).
- Retire (10) tornillos encima de la caja del ventilador (Fig.16).



• Gíre el ventilador de 90 grados y reinstale (2) tornillos (Fig.17). Reinstalas las cajas del ventilador, brida y tornillos.

2. Ajuste la altura del marco de soporte telescópico y bloque con tornillos y arandelas (Fig. 18).

⚠ ATENCION: Ajustar la altura antes de la instalación.

3. Levante la campana hacia la abertura del cielo raso.

4. Asegure cada marco de soporte con el marco de soporte de madera de la campana con los (6) tornillos para madera de 6 x 60 mm y las arandelas suministradas. Fig 19.

5. Instalar el conducto y pegue con cinta todas las uniones para garantizar un sello de aire hermético

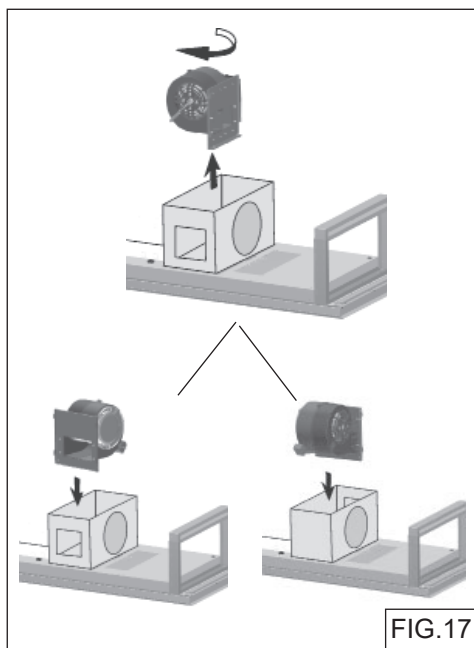


FIG.17

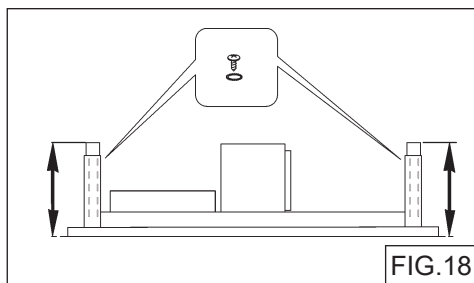


FIG.18

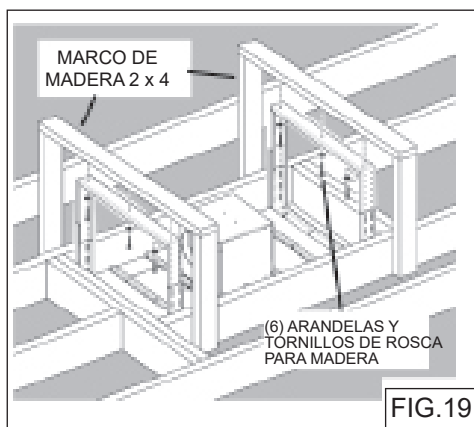
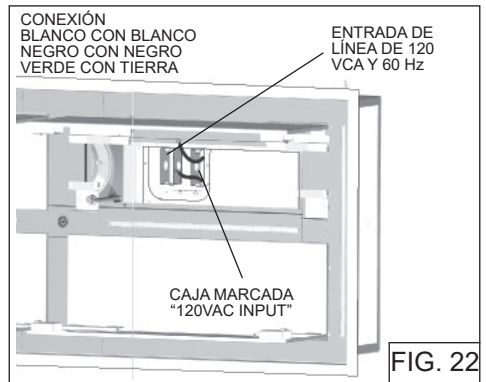
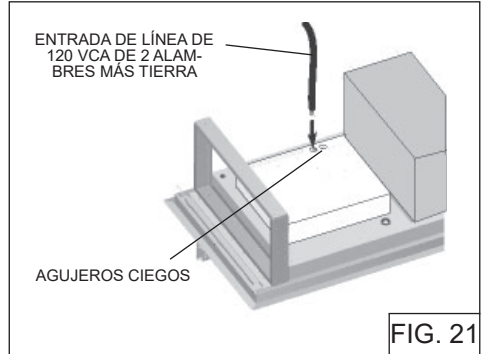
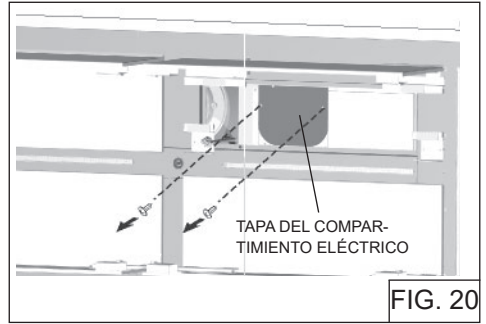


FIG.19

CONECTE EL CABLEADO

⚠️⚠️ ADVERTENCIA: Una o más personas calificadas deben realizar el trabajo de cableado eléctrico, de acuerdo con todos los códigos y las normas correspondientes. Esta campana debe estar adecuadamente conectada a tierra.

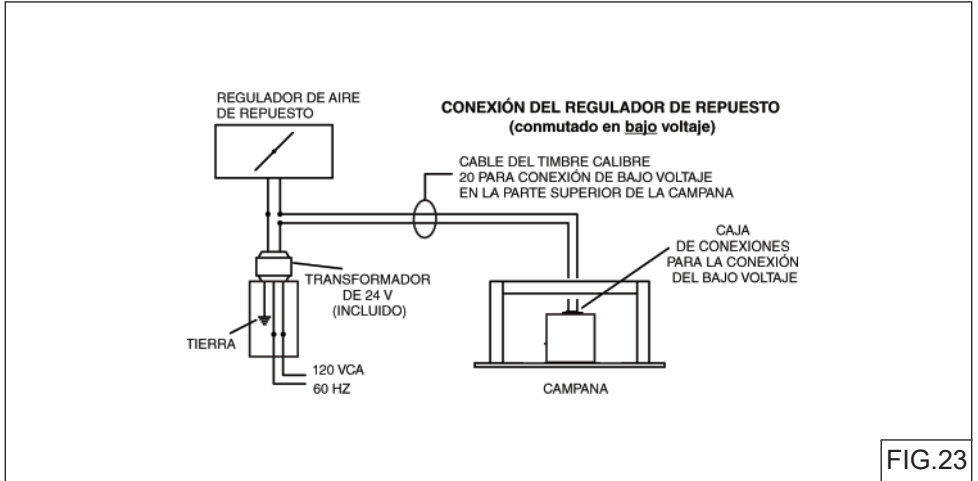
1. Retire la tapa del compartimiento eléctrico y los (2) tornillos Fig.20.
2. Pase el cable eléctrico de 2 alambres y tierra de 120 VCA por el agujero ciego de $\frac{3}{4}$ pulg. (19 mm) que se encuentra en la parte posterior de la campana. Fig. 21.
3. Retire el agujero ciego eléctrico de $\frac{3}{4}$ pulg. (19 mm) de la parte posterior de la campana.
4. Desde la caja eléctrica marcada "entrada de 120 VCA", retire (2) tornillos que aseguran la cubierta a la cajade conexiones metálica. Fig. 22.
5. Estire el cable eléctrico de 120 VCA hacia la caja y asegure con una abrazaderade cable adecuada.
6. Haga las conexiones eléctricas dentrode la caja. Conecte blanco con blanco, negro con negro y verde con tierra.
7. Vuelva a colocar la cubierta de la caja de conexiones y los tornillos. Colocar la tapa del compartimiento eléctrico y los tornillos. Asegúrese de que los cables no queden atrapados entre la cubierta y la caja.



REGULADOR DE AIRE DE REPUESTO

Precaución: La campana es compatible solamente con el regulador de aire de repuesto Broan, Modelo MD8T (aconsejado por CC34IQ63SB) or MD10T (aconsejado por CC34IQT63SB). Se compra por separado.

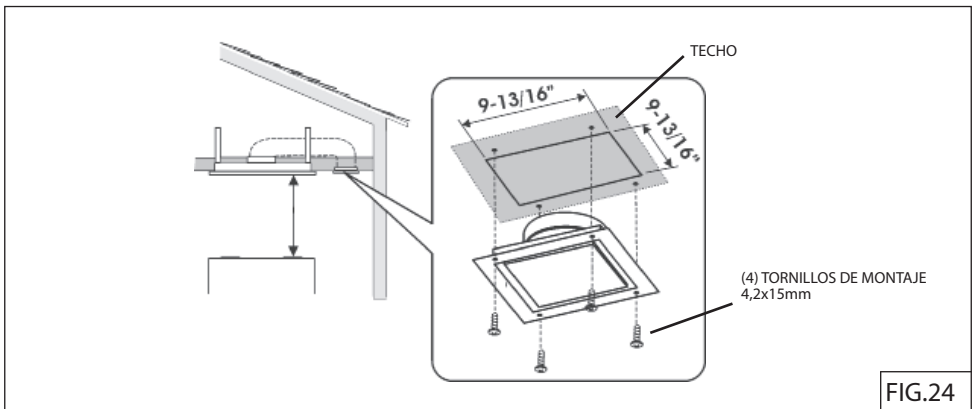
Realice la conexión del regulador de aire de repuesto con cableado de bajo voltaje, como se ilustra. Consulte información adicional en las instrucciones del regulador de aire de repuesto. (Fig. 23)



INSTALAR EL KIT DE FILTRO (VERSION SIN CONDUCTO)

Compra el kit de recirculación ANKCC3463 opción, se vende por separado (opcional, solo por el modelo CC34IQ63SB). El kit incluye la parte para el retorno de aire y filtros de carbón.

Fije la parte para el retorno de aire en el techo utilizando (4) tornillos de montaje 4,2x15mm. Ver Fig. 24



INSTALACIÓN DE FILTROS DE RECIRCULACIÓN SIN CONDUCTO (SOLO PARA CAMPANAS SIN CONDUCTOS)

Los filtros de recirculación están incluidos en el kit ANKCC3463. Compre filtros de recirculación sin conducto por separado (AFCCC3463).

Coloque el filtro de recirculación sin conducto sobre el filtro de grasa y bloqueeo con las (4) trabas. Vea Figura 25.

El kit y el filtro de recirculación son opcional, solo por el modelo CC34IQ63SB.

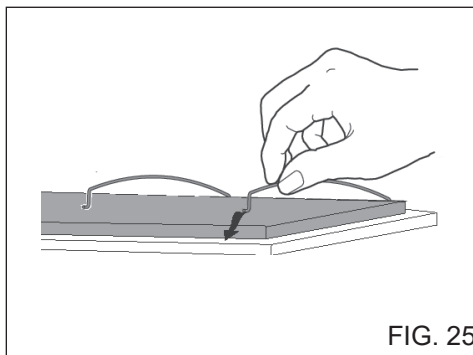


FIG. 25

INSTALE LOS FILTROS

1. Para instalar los filtros antigrasa, alinee las aletas posteriores del filtro con las ranuras de la campana. Empuje hacia adentro la lengüeta del cierre, presione el filtro en su posición y suelte. Asegúrese de que el filtro esté firmemente enganchado después de su instalación. Fig. 26.
2. Para quitar los filtros para limpiarlos, presione hacia adentro la lengüeta del cierre para desprender el filtro de la campana. Incline el filtro hacia abajo y quítelo.

NOTA: Quite la película protectora de los filtros de grasa y todas las piezas de acero antes de cocinar debajo de la campana.

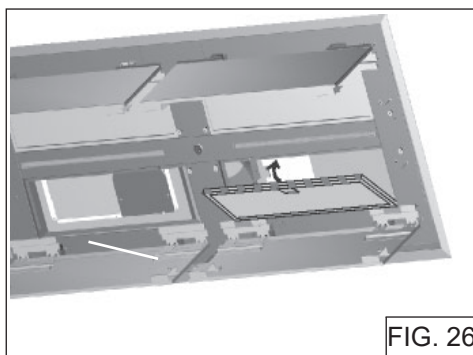


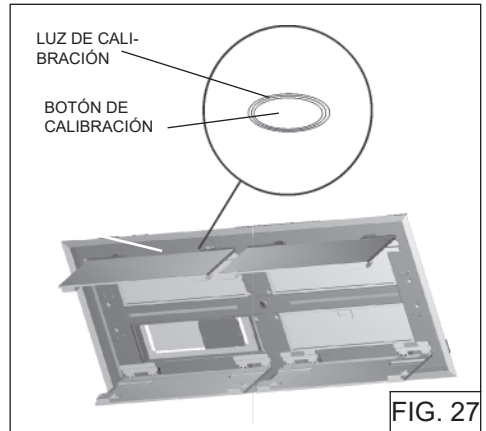
FIG. 26

CALIBRACIÓN DEL VENTILADOR IQ™

Después de instalar y cablear la campana, active el proceso de calibración (nuestra tecnología de sistema de desempeño garantizado, para asegurar que se suministre el flujo de aire nominal total). Antes de la calibración, asegúrese de que todos los filtros, bombillas de luz y el sistema de conductos estén instalados.

PROCESO DE CALIBRACIÓN Fig. 27.

Sostenga el botón de calibración 3 segundos; el botón se encenderá y estará así hasta por 13 minutos. El ventilador arrancará y comenzará el proceso de calibración. Cuando se termine la calibración, ocurrirá una de dos cosas:



1. El ventilador se apaga y la luz del botón de calibración permanece encendida = Calibración exitosa. Presione el botón para apagar la luz LED. Nota: La luz LED también se apagará si selecciona alguna velocidad del ventilador en el control.

2. El ventilador se apaga y el botón de calibración destella continuamente = Demasiada restricción en los conductos impide que el ventilador IQ™ obtenga el flujo de aire nominal. El ventilador se configura automáticamente en su intensidad máxima.

NOTA: Elementos comunes que provocan restricciones: el alerón del regulador está restringido (regulador de contratiempo, tapa de pared, tapa de techo), demasiados codos, tamaño de conducto menor del 80% de salida de la campana, mala transición, uso de conductos flexibles y/o conductos aplastados.

Hay disponibles tres opciones si el sistema de campana tiene demasiada restricción:

1. Aceptar el flujo de aire como está.

a. Presione el botón de calibración para aceptar el flujo de aire tal cual. El ventilador IQ™ está configurado ahora en el rendimiento más alto posible. La luz de calibración destellante se apaga. Nota: La luz LED también se apagará si selecciona alguna velocidad del ventilador en el control.

2. Corrija la restricción del conducto, despeje los datos de calibración originales y repita el proceso de calibración.

a. Corrija la restricción del conducto.

b. Despeje los datos de calibración originales manteniendo presionado el botón de calibración durante 10 segundos. La luz destellará 3 veces para confirmar y la configuración del ventilador regresará a los ajustes predeterminados.

c. Repita el proceso de calibración desde el principio.

3. Despeje los datos de calibración para reiniciar la campana a la configuración de fábrica y obtener un rendimiento estándar de alta presión del ventilador.

a. Despeje los datos de calibración y reinicie la campana a los ajustes predeterminados de fábrica manteniendo presionado el botón de calibración durante 10 segundos. La luz destellará 3 veces para confirmar y la configuración del ventilador regresará a los ajustes predeterminados.

Garantía limitada

Periodo de garantía y exclusiones: Broan-NuTone LLC (la «Compañía») garantiza al consumidor quien compra su producto («Usted») que el producto (el «Producto») será libre de defectos importantes de fabricación y de materiales por una duración de cinco (5) años a partir de la fecha de compra (o por una duración más larga si la ley aplicable lo exige) o un periodo de dos (2) años a partir de la fecha de prestación de un servicio sobre el Producto.

El periodo de garantía limitada para las piezas de repuesto proporcionadas por la Compañía y los Productos reparados o reemplazados bajo esta garantía limitadaserá el resto del periodo de garantía original (o un periodo más largo si la ley aplicable lo exige).

ESTA GARANTÍA EXCLUYE LOS ARRANCADORES DE LÁMPARAS FLUORESCENTES, LOS TUBOS, LAS BOMBILLAS, LOS FUSIBLES, LOS FILTROS, LOS CONDUCTOS, LAS TAPAS PARA TECHO, LAS TAPAS PARA PARED Y LOS OTROS ACCESORIOS PARA CONDUCTOS. También excluye: a) el mantenimiento normal, b) el uso y desgaste normales, c) los productos y las piezas que han sido objeto de un uso indebido, anormal o negligente, un maltrato, un accidente, un mantenimiento, almacenamiento o reparación inadecuados (excepto en caso de reparación por la Compañía), d) los daños causados por una instalación inadecuada, o por una instalación o un uso contrario a las recomendaciones o instrucciones, e) los daños causados por el contacto con el aire salino, f) los daños que ocurran durante el transporte, g) el desgaste normal del acabado, h) los Productos que son objeto de un uso comercial o no residencial, i) los daños causados por el fuego, una inundación u otro desastre natural o j) los Productos a los cuales se les haya alterado, desfigurado o removido el número de serie. Esta garantía solo cubre los Productos vendidos a consumidores de Norteamérica.

Esta garantía substituye todas las garantías anteriores y, sin perjuicio de la ley aplicable, no se puede transferir por el comprador original.

Ninguna otra garantía: Esta garantía limita enunciancia la única obligación de la Compañía y el único recurso que tiene Usted en cuanto a los Productos defectuosos. Las garantías enunciadas arriba son exclusivas y se antepone a todas las otras garantías y condiciones, ya sean expresas o implícitas. **EN LA MEDIDA MÁXIMA EN QUE LO PERMITA LA LEY APLICABLE, LA COMPAÑÍA RENUNCIA A TODAS LAS OTRAS GARANTÍAS Y CONDICIONES EXPRESAS O IMPLÍCITAS POR LA LEY Y LAS EXCLUYE, INCLUYENDO, ENTRE OTRAS, LAS GARANTÍAS DE COMERCIALIZACIÓN Y LAS DE IDONEIDAD PARA UN PROPÓSITO PARTICULAR.** En la medida en que la ley aplicable prohíba la exclusión de las garantías o condiciones implícitas, la duración de cualquier garantía o condición implícita aplicable se limita al periodo indicado para la garantía expresa mencionada arriba. Ciertas jurisdicciones (incluyendo a veces la provincia de Quebec o ciertos estados de los Estados Unidos) prohíben la restricción de la duración de las garantías implícitas, así que la restricción mencionada arriba podría no aplicarse a Usted. Las descripciones orales o escritas del Producto tienen como único propósito identificar al Producto y no se deben interpretar como una garantía expresa.

Cuando sea posible, cada disposición de esta garantía limitada debe interpretarse de manera que tenga plena validez y efectos legales bajo la ley aplicable, pero en el caso de que se declare prohibida o nula una disposición, ésta será nula solo en la medida en que lo prevea esta prohibición o nulidad, sin efecto para los otros elementos de esta disposición o las otras disposiciones de esta garantía limitada.

Recurso: Durante el periodo de garantía limitada aplicable, la Compañía, según su criterio, proporcionará piezas de repuesto o servicios de reparación o reemplazo sin cargo alguno para cualquier Producto o pieza de Producto, en la medida en que la Compañía constata a) que esta garantía cubre este Producto o esta pieza bajo un uso y mantenimiento normales y b) que la garantía queda incumplida. La Compañía le enviará el Producto reparado, el producto de reemplazo o las piezas de repuesto sin cargo alguno. Usted tendrá que pagar todos los costos de desinstalación, reinstalación y envío así como los otros cargos de transporte relacionados con el envío del Producto o la pieza a la Compañía. Si Usted debe enviar el Producto o la pieza a la Compañía, conforme a las instrucciones de la misma, Usted tendrá que empaquetar el Producto o la pieza correctamente; la Compañía es responsable de los daños que ocurran durante el transporte. La Compañía se reserva el derecho de utilizar Productos o piezas reacondicionados, renovados, reparados o remanufacturados para la reparación o el reemplazo bajo esta garantía. Estos Productos y piezas serán comparables en cuanto a la función y el rendimiento con el Producto o la pieza original y serán garantizados por la duración restante del periodo de garantía original (o por una duración más larga si la ley aplicable lo exige).

La Compañía se reserva el derecho, según su exclusivo criterio, de reembolsar el monto que Usted haya realmente pagado por el Producto. Si el Producto o la pieza ya no está disponible, la Compañía puede, según su exclusivo criterio, reemplazarlo con un producto similar de valor igual o superior. Esto constituye su único y exclusivo recurso en caso de incumplimiento de esta garantía limitada.

Exclusión de los daños: LA OBLIGACIÓN DE LA COMPAÑÍA DE PROPORCIONAR PIEZAS DE REPUESTO DE REPARAR O REEMPLAZAR EL PRODUCTO, SEGÚN SU CRITERIO, ES EL ÚNICO Y EXCLUSIVO RECURSO QUE TIENE USTED BAJO ESTA GARANTÍA LIMITADA Y LA ÚNICA OBLIGACIÓN DE LA COMPAÑÍA. ÉSTA NOSERÁ RESPONSABLE DE LOS DAÑOS INCIDENTALES, INDIRECTOS, CONSECUENTES O ESPECIALES CAUSADOS DIRECTAMENTE O INDIRECTAMENTE POR EL PRODUCTO, SU USO O SU RENDIMIENTO.

Puesto que ciertas jurisdicciones prohíben la exclusión o restricción de los daños incidentales o consecuentes, la exclusión o restricción mencionada arriba podría no aplicarse a Usted. Esta garantía otorga derechos legales específicos, y Usted también podría tener otros derechos, los cuales pueden ser diferentes según la jurisdicción. Las renuncias, exclusiones y restricciones de responsabilidad bajo esta garantía se aplican en la medida en que lo prohíba la ley aplicable.

Esta garantía solo cubre el reemplazo o la reparación de las piezas o los Productos defectuosos al sitio de negocio principal de la Compañía; los gastos de viaje y estancia relacionados con los servicios de campo están excluidos.

Cualquier asistencia proporcionada u obtenida para Usted por la Compañía y que no está cubierta por las condiciones, restricciones o exclusiones de esta garantía limitada no constituye una renuncia a estas condiciones, restricciones y exclusiones, y la prestación de dicha asistencia no prolongará o restablecerá la garantía.

La Compañía le reembolsará los gastos que Usted haya hecho por la reparación o el reemplazo de un Producto defectuoso, excepto si Usted ha previamente recibido el permiso escrito de la Compañía por ellos.

Cómo obtener el servicio de garantía: Para tener derecho al servicio de garantía, Usted debe a) informar a la Compañía a la dirección o al número de teléfono escrito aquí abajo dentro de siete (7) días después de que haya descubierto el defecto cubierto, b) dar el número de serie y los datos de identificación de la pieza y c) describir la naturaleza de cualquier defecto del Producto o de la pieza. Cuando solicite

el servicio de garantía, Usted tiene que presentar una prueba de la fecha de compra original. Si no puede proporcionar una copia de la versión escrita original de la garantía limitada, las condiciones de la versión más reciente de la garantía limitada de la Compañía para su producto se aplicarán.

ESPECIFICACIONES DEL PRODUCTO

Todas las ilustraciones y las especificaciones en este catálogo están establecidas según la información que era la más reciente en el momento en cual fue producido. Broan-NuTone LLC y BEST® se reservan el derecho de cambiar, en cualquier momento y sin previo aviso, los precios, colores, materiales, productos, especificaciones y modelos y el lugar de fabricación, así como de parar la producción de un modelo o producto.

Best

Broan-NuTone, LLC: 926 W. State Street, Hartford, WI 53207

1 800 637-1453

Best®, 550,boul. Lemire, Drummondville (Québec),Canada (1 866 737-7770) www.bestrangehoods.com

PIEZAS DE SERVICIO

Modelo CC34IQ63SB

CLAVE N.º	PIEZA N.º	DESCRIPCIÓN
1	B003103711	MARCO
9	B08087836	FILTRO ANTIGRASA
26	B023004301	LED
115	BE3350233	CAJA DE CONEXIÓN DEL CABLE DE ALIMENTACIÓN
343	B08094449	TAPA DEL COMPARTIMIENTO ELÉCTRICO
362	B02011422	IMÁN
477	B02011376	BISAGRA
506	B08080878	BLDC DRIVER
507	B06102584	BOTON DE CALIBRACIÓN
508	B02301083	CABLE DE COMANDOS
511	B06102814	JUEGO DRIVER
998	B080810962	JUEGO DE UNIONES
999	B080814337	JUEGO DE INSTRUCCIONES PARA INSTALACIÓN
CAS	B06002259	JUEGO MOTOR
IME	B06102805	CONJUNTO DE INSTALACIÓN ELÉCTRICA
AQI	B06102812	CONJUNTO DE LA CAJA DE COMANDOS
ARU	B08092501	JUEGO DE SALIDA DE AIRE
ACR3	B08999186	CONTROL REMOTO
-	B902980139	FILTROS DE RECIRCULACIÓN

Modelo CC34IQT63SB

CLAVE N.º	PIEZA N.º	DESCRIPCIÓN
1	B003103711	MARCO
9	B08087836	FILTRO ANTIGRASA
26	B023004301	LED
115	BE3350233	CAJA DE CONEXIÓN DEL CABLE DE ALIMENTACIÓN
343	B08094449	TAPA DEL COMPARTIMIENTO ELÉCTRICO
362	B02011422	IMÁN
477	B02011376	BISAGRA
506	B08080879	BLDC DRIVER
507	B06102584	BOTON DE CALIBRACIÓN
508	B02301083	CABLE DE COMANDOS
511	B06102806	JUEGO DRIVER
998	B080810962	JUEGO DE UNIONES
999	B080814337	JUEGO DE INSTRUCCIONES PARA INSTALACIÓN
CAS	B06002259	JUEGO MOTOR
IME	B06102805	CONJUNTO DE INSTALACIÓN ELÉCTRICA
AQI	B06102812	CONJUNTO DE LA CAJA DE COMANDOS
ARU	B02011533	JUEGO DE SALIDA DE AIRE
ACR3	B08999186	CONTROL REMOTO

PIEZAS DE SERVICIO

Modelo

CC34IQ63SB

CC34IQ63SB

