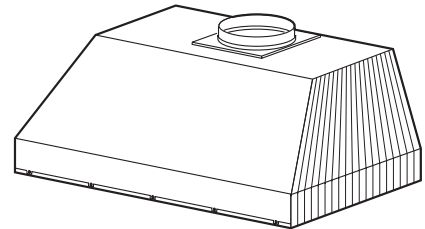


CP47E SERIES RANGE HOODS



Specially designed to be installed in a custom hood and used over residential, commercial-style cooking surfaces.

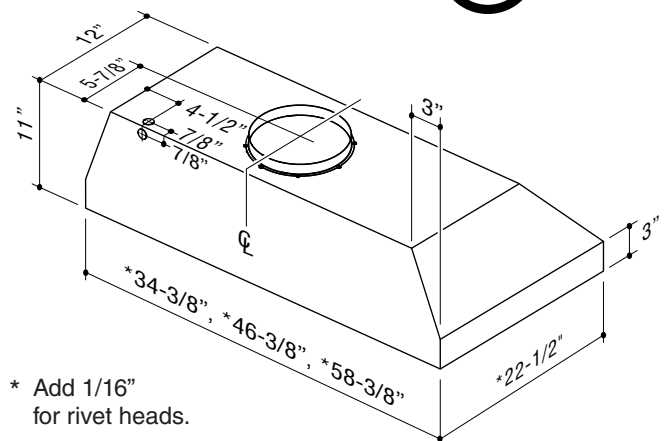
A complete installation requires several optional components. Refer to page 2 when planning your installation.

FEATURES

- Cabinet mount - custom applications
- Finish: 430 Stainless Steel #4 Brushed
- Widths: 34-3/8", 46-3/8", 58-3/8"
- Depth: 22-1/2"
- Backdraft damper
- Four-setting cooktop lighting (Uses 50W, GU10 halogen lamps. Bulbs included. 2 lamps on 34-3/8" wide hood, 4 lamps on 46-3/8" and 58-3/8" wide hoods.)
- Easily accessible, dishwasher safe stainless steel Evolution™ baffle filters with handles
- 4-speed electronic blower control with LinkLogic® enabled technology
- Delay timer control automatically shuts off range hood after 10 minutes
- Heat Sentry™ - automatically turns blower to high speed when excess cooking heat is detected
- Use with exterior-mounted or attic-installed remote blowers for different levels of exhaust capacity (see specifications)
- Special control indicates when it's time to clean the filter
- For indoor use only

SPECIFICATIONS

| WITH OPTIONAL BLOWER MODELS | | BLOWER CFM | VOLTS | AMPS | DUCT |
|-----------------------------|-----------------------------------|------------|-------|--|---|
| EB6 | wall or roof mount remote blowers | 600 max. | 120 | 1.67 max. (lights only) + 6.0 max. (blower only) | 10-in. round at the hood See blower specs for duct requirements. |
| EB9 | | 900 max. | | | |
| EB12 | | 1200 max. | | | |
| EB15 | | 1500 max. | | | |
| ILB3 | attic installed inline blowers | 280 max. | 120 | 1.67 max. (lights only) + 6.0 max. (blower only) | 10-in. round at the hood See blower specs for duct requirements. |
| ILB6 | | 600 max. | | | |
| ILB9 | | 800 max. | | | |
| ILB11 | | 1100 max. | | | |

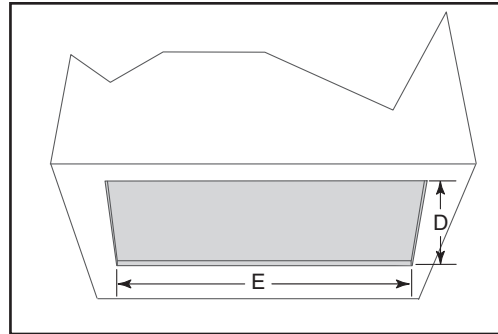


BEST Hartford, Wisconsin www.BestRangeHoods.com 800-558-1711
 BEST Mississauga, Ontario www.BestRangeHoods.com 877-896-1119

| REFERENCE | QTY. | REMARKS | Project | |
|-----------|------|---------|--------------|------|
| | | | Location | |
| | | | Architect | |
| | | | Engineer | |
| | | | Contractor | |
| | | | Submitted by | Date |

To minimize the gap around the power pack, take actual width and depth measurements of power pack and add 1/16" to get D and E measurements. Cut the hole in the bottom of the cabinet according to dimensions. See chart and illustration for details.

| POWER PACK | | CUTOUT DIMENSIONS | |
|------------|-------|--------------------|--------------------|
| SERIES | WIDTH | D | E |
| CP47E | 36" | 22 $\frac{5}{8}$ " | 34 $\frac{1}{2}$ " |
| | 48" | 22 $\frac{5}{8}$ " | 46 $\frac{1}{2}$ " |
| | 60" | 22 $\frac{5}{8}$ " | 58 $\frac{1}{2}$ " |



CP47E SERIES HOOD SYSTEM

