



Cattura downdraft system with most effective VERTEX® Complete Capture Design technology ventilates as well as an island hood.

Largest capture area for ultimate performance.

Up to 35% quieter operation than any other downdraft.

Chimney raises 18" off the counter surface for optimal capture on all burners.

Long-lasting LED lighting technology means lamps may never need replacement.

Heat Sentry™ detects excessive heat and adjusts speed to high automatically.

10-minute time-delay shut-off feature and reminder light for filter maintenance.

Remote control to activate downdraft from another location.

Works with optional Automatic Make-Up Air Dampers.

Model Numbers:

D49M30SB

D49M36SB

D49M48SB

D49M30BLS

D49M36BLS



Our VERTEX® Complete Capture Design technology performs as well as an island hood.



An LED light bar evenly illuminates the entire cooking surface.



A touch of a button raises or lowers the 18" downdraft.



Sleek, easy-to-clean touch-control panel.



An optional remote control button raises or lowers the downdraft as needed. Also available in black stainless.

Hood Sizes

Widths 30", 36", (48" stainless only)

Depth 2-1/4"

Finish

Stocked Brushed Stainless Steel (Grade 430), Black Stainless Steel

Special Order Not Available

Features

Lighting Type	LED, 7W (30"); 14W (36"); 18W (48")
Color Temp	3000K
Lighting Levels	2
Lighting Lamps Included	Yes
Control Type	4-speed Capacitive Glass
Control Features	Heat Sentry™, Delay Off, Filter Timer
Remote Control	Optional ACRD, ACRDBLS
Filter Type	Mesh Grease Filter
Non-ducted Capability	Yes

Hood Blower Options (Must choose one blower sold separately)

Internal Modular	PF6 ¹
Max Blower CFM*	650
Sones Normal Setting**	0.8

*MAX Blower CFM indicates the performance of the hood blower in open air.
**Normal setting corresponds to speed 1.

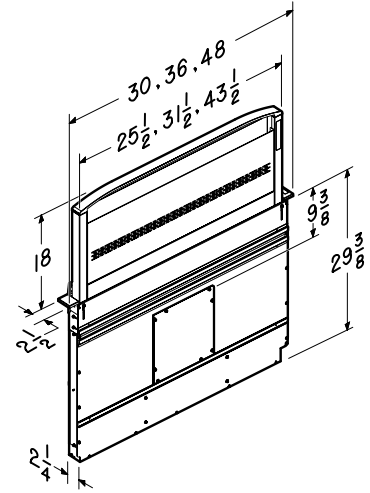
External In-Line	ILB3	ILB6	ILB9	ILB11
Max CFM	300	675	900	1500
Sone levels are typically half of comparable CFM internal blowers.				
External Exterior	EB6	EB9	EB12	EB15
Max CFM	665	890	1300	1650
Sone levels are typically half of comparable CFM internal blowers.				

Accessories

Non-ducted Recirculating Kit	ANKD
Transition to 8" Round	AVDKD8
Transition to 10" Round	AVDKD10
Charcoal Filter	AFCD
Stainless Range Trim Kit (1/2" depth)	ATKD30SB, ATKD36SB, ATKD48SB
Black Stainless Range Trim Kit (1/2" depth)	ATKDB30BLS, ATKDB36BLS
Stainless End Cap Extension	ATTD1
Black Stainless End Cap Extension	ATTD1BLS
Automatic MUA Damper	MD6T, MD8T, MD10T (Requires Fresh Air Inlet)
Fresh Air Inlet	641FA, 643FA, 610FA

Installation Requirements

Amps @ 120V: Internal Blower	6.0 Max
Electrical Connection	Plug In
Duct Size: Internal Blower	8"
Duct Size: External Blower	10" at hood
Duct Direction	Front, Left, Right, Rear or Down
Backdraft Damper	Not Included



Ten FlexBlower ducting options give you unsurpassed design flexibility. The FlexBlower can be installed in front, to the left, right or rear of the downdraft.

Optional end cap extension adds 1" to width for 31", 37" and 49" applications.

For more details or HVI rated performance for this model see the product specifications sheet found at www.BESTRangeHoods.com



¹If needed ask a recommended installer to limit discharge to 400 CFM with PF6 or 300 CFM using the ILB3 in-line motor.



Performance is a beautiful thing.

It can be subtle or bold. It can take months or years to hone.
Then impress you in an instant.

A great performance gives the audience exactly what they want and more than they ever imagined. And it inspires everyone and everything around it to be better.

At **BEST**, we make high performance range hoods that perform beautifully. Astonishingly quiet. Impressively effective. Remarkably efficient. And perfectly suited for the most distinguished kitchens.

Whether it's the centerpiece of the room or letting its surroundings shine, **BEST** is where high-end performance inspires.

best[®]

PERFORMANCE THAT INSPIRES