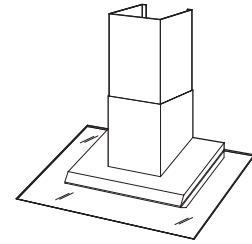


WC26E SERIES RANGE HOODS



For use with external blowers.

Aggressive, wedge-like design - directs heat and moisture to the blower for exceptional capture.

FEATURES

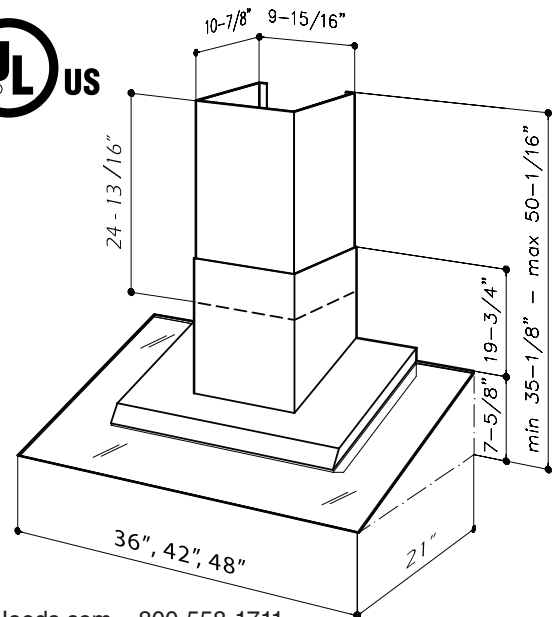
- Italian design
- Wall mount
- Finish: 304 Stainless Steel #4 Brushed
- Widths: 36", 42", 48"
- Telescopic flue accommodates 8' to 9' ceilings
- 8-in. round duct connector/backdraft damper
- Halogen lighting (2 x 20 watt, Type JC 12V 20W G4 Base - bulbs included) with multilevels from bright cooktop illumination to a low nighttime setting
- Advanced, electronic push-button controls feature delay shutoff
- Use with exterior-mounted or attic-installed remote blowers for different levels of exhaust capacity (see specifications)
- Delay timer control automatically shuts off range hood after ten minutes
- Special control indicates when it's time to clean the filter
- Dishwasher-safe filter features a quick-release latch and decorative cover plate
- Heat Sentry™ - automatically turns blower to high speed when excess cooking heat is detected
- Light sensor automatically activates glass light
- For indoor use only

OPTIONS

- Replacement grease filters available (Part No. SB08087295)
- Flue extensions for 10' ceilings (Model AEWC26 series) available in stainless steel (36-7/8" long)
- Interior blower version (WC26I Series) available, providing 480 cfm exhaust
- 8-in. to 10-in. transition (Model 414)

SPECIFICATIONS

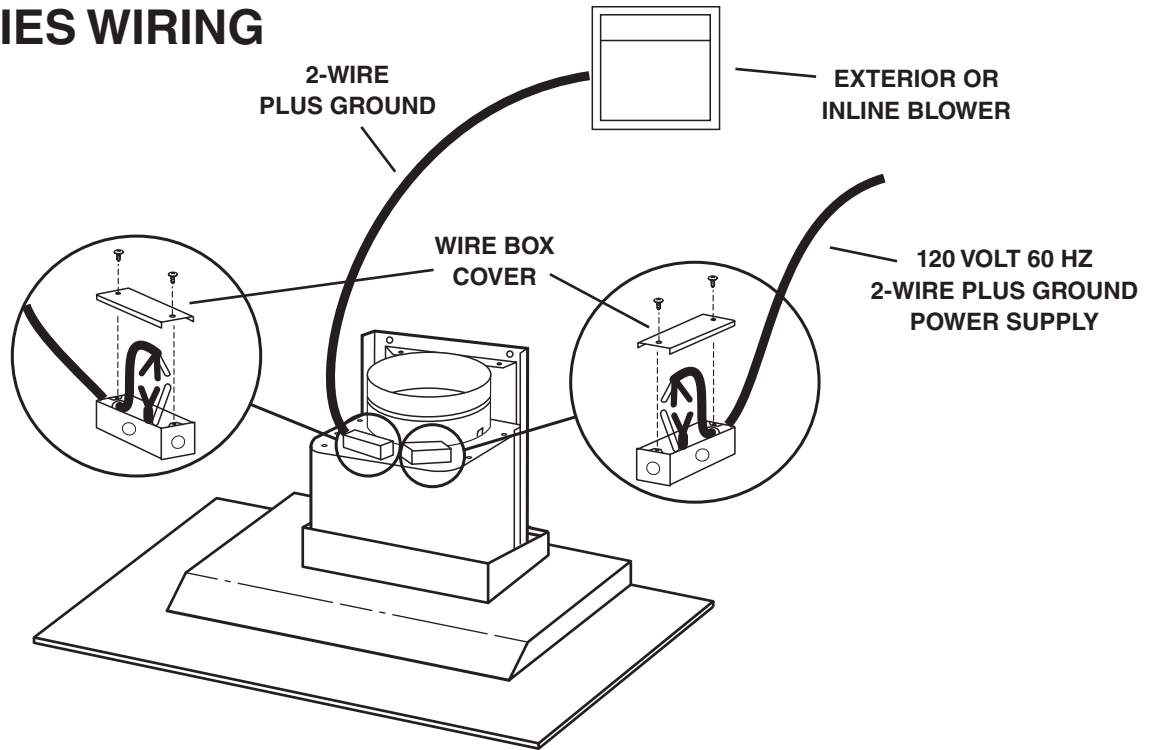
WITH OPTIONAL BLOWER MODELS	BLOWER CFM	VOLTS	AMPS	DUCT
EB6	600 max.	120	0.43 (lights only) + 6.0 max. (blower only)	8-in. round at the hood. See blower specs for duct requirements.
EB9	900 max.			
EB12	1200 max.			
EB15	1500 max.			
ILB3	280 max.	120	0.43 (lights only) + 6.0 max. (blower only)	8-in. round at the hood. See blower specs for duct requirements.
ILB6	600 max.			
ILB9	800 max.			
ILB11	1100 max.			



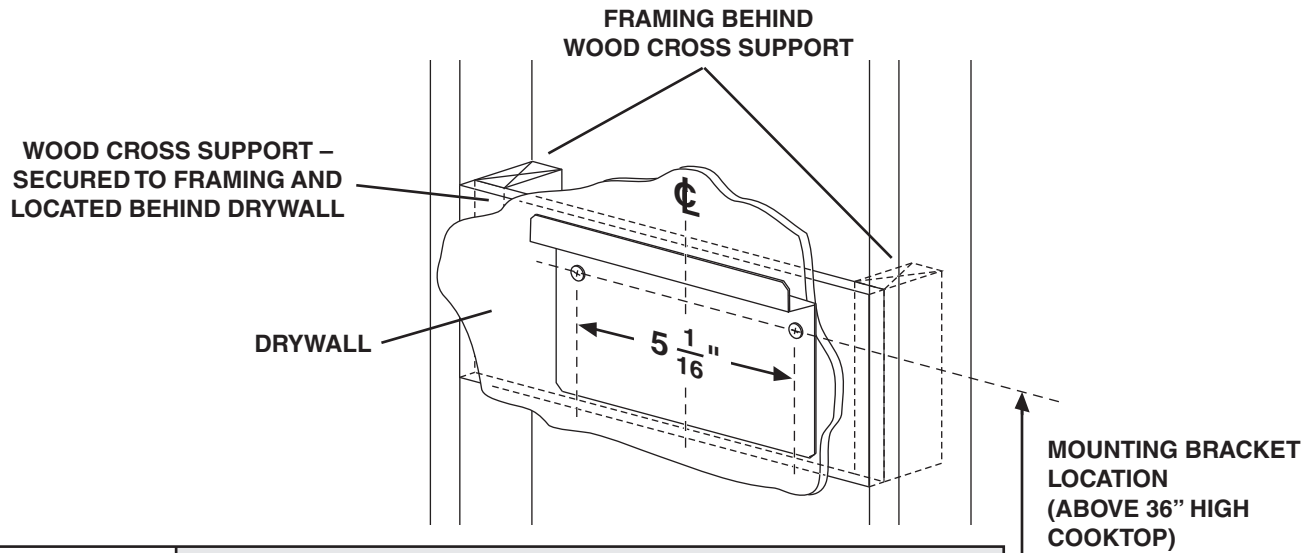
BEST Hartford, Wisconsin www.BestRangeHoods.com 800-558-1711
 BEST Drummondville, QC Canada www.BestRangeHoods.com 866-737-7770

REFERENCE	QTY.	REMARKS	Project
			Location
			Architect
			Engineer
			Contractor
			Submitted by Date

WC26E SERIES WIRING



WC26E SERIES MOUNTING



CEILING HEIGHT	MOUNTING DISTANCE ABOVE 36" HIGH COOKTOP (see note A)							
	22"	23"	24"	25"	26"	27"	28"	
	MOUNTING BRACKET LOCATION ABOVE 36" HIGH COOK TOP							
8 FEET	41-1/4"	42-1/4"	43-1/4"	44-1/4"				
9 FEET	41-1/4"	42-1/4"	43-1/4"	44-1/4"	45-1/4"	46-1/4"	47-1/4"	
10 FEET (see note B)	41-1/4"	42-1/4"	43-1/4"	44-1/4"	45-1/4"	46-1/4"	47-1/4"	

A. Minimum hood distance above cooktop must not be less than 22". A maximum of 28" above the cooktop is highly recommended for best capture of cooking impurities. Distances over 28" above the cooktop are at the installer's and user's discretion - providing that ceiling height and flue length permit.

B. Requires optional 10-ft. flue extension - ducted Model AEWC26SB.