



Powered by the exclusive iQ Blower System™ with GPS Technology (see page 58) for the quietest, most energy efficient and fastest smoke and odor removal available in a range hood; external blowers offered separately.

LED lighting has an extremely long lifespan; lamps may never need replacement.

Quick release, dishwasher-safe, mesh grease filters ensure a clean, fresh kitchen.

Heat Sentry™ detects excessive heat and adjusts blower to high automatically.

Works with optional Universal Make-Up Air Dampers.

Model Numbers:

WC34IQ90SB

WC34E90SB



Four-speed electronic control includes 10-minute delay-off and filter clean reminder.



LED lighting produces beautiful bright, clean light using minimal energy.



Optional ACR3 remote control lets the busy cook stay in control from anywhere in the kitchen.

Hood Sizes

Width 35-7/16" (90cm)

Depth 18-1/8"

Finish

Stocked Brushed Stainless Steel (Grade 430)

Special Order Not Available

Features

Lighting Type LED 6-watts, 3000K

Number of Lamps 2

Lighting Levels 1

Lighting Lamps Included Yes

Control Type 4-speed Electronic Pushbutton

Control Features Heat Sentry™ Delay Off, Filter Clean Reminder

Remote Control Optional ACR3

Filter Type Mesh Grease Filter

Non-ducted Capability Yes

Hood Blower Included (WC34IQ)

Internal	iQ6¹
Max Blower CFM*	800
Sones Normal Setting**	0.3

*MAX Blower CFM indicates the performance of the hood blower in open air.

**Normal setting corresponds to speed 1.

Hood Blower Options (WC34E blowers sold separately)

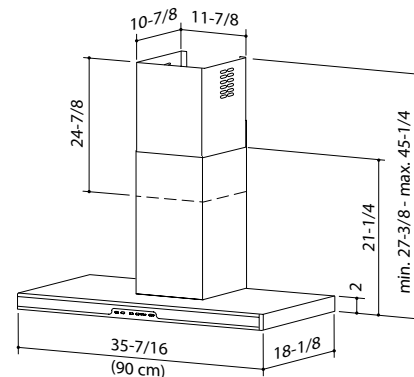
External In-line	ILB3	ILB6	ILB9	ILB11
Max CFM	300	675	900	1500
Some levels are typically half of comparable CFM internal blowers.				
External Exterior	EB6	EB9	EB12	EB15
Max CFM	665	890	1300	1650
Some levels are typically half of comparable CFM internal blowers.				

Accessories

10'-11' Flue Extension (Ducted)	AEWC345IQSB
10'-11' Flue Extension (Non-ducted)	AEWC345IQSBN
Non-Duct Kit	ANKWC345
Non-Duct Filter	AFCWC345
Universal MUA Damper	MD6TU, MD8TU, MD10TU (Requires Fresh Air Inlet)
Fresh Air Inlet	641FA, 643FA, 610FA

Installation Requirements

Amps @ 120V: Internal Blower	4.0
Amps @ 120V: External Blower	7.0 Max
Electrical Connection	Plug In
Duct Size: Internal Blower	8"
Duct Size: External Blower	8" at hood (Transition to 10" typical, see page 64)
Duct Direction	Vertical
Backdraft Damper	Included



Installation height above the cooking surface: 24"-30"

Telescopic flue for 8'-9' ceiling is standard. Optional flue extensions for 10'-11' ceiling

Upper flue can be reversed to hide louvers in some applications depending on installation heights

For more details or HVI rated performance for this model see the product specifications sheet found at www.BESTRangeHoods.com



¹If needed, ask a recommended installer to limit discharge to 300 or 400 CFM.



Performance is a beautiful thing.

It can be subtle or bold. It can take months or years to hone.
Then impress you in an instant.

A great performance gives the audience exactly what they want and more than they ever imagined. And it inspires everyone and everything around it to be better.

At **BEST**, we make high performance range hoods that perform beautifully. Astonishingly quiet. Impressively effective. Remarkably efficient. And perfectly suited for the most distinguished kitchens.

Whether it's the centerpiece of the room or letting its surroundings shine, **BEST** is where high-end performance inspires.

best[®]

PERFORMANCE THAT INSPIRES