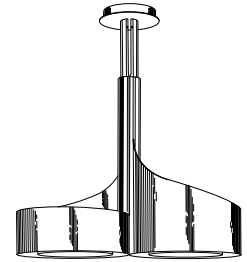


VERTIGO DOUBLE IM32I100SP RANGE HOOD



All range hoods deal with air, but how many are sculpted by it? The VERTIGO DOUBLE design takes its inspiration from the vortexes of air that surround us.

FEATURES

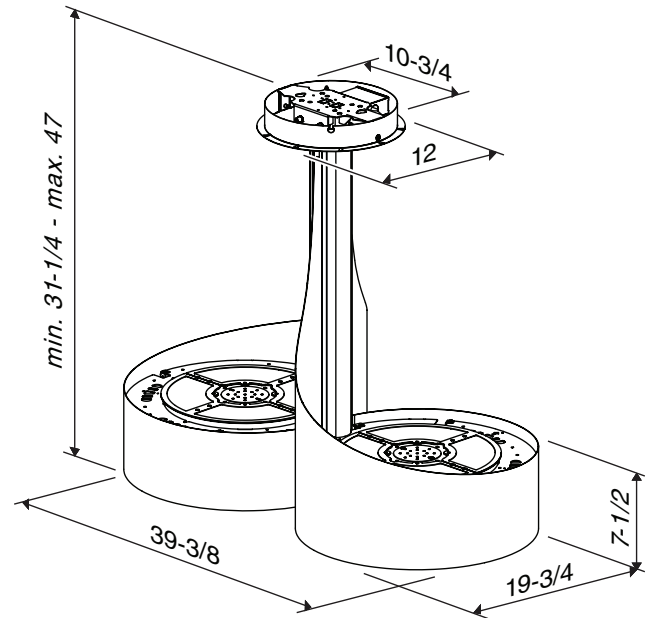
- Italian design
- Ceiling mount
- Finishes: 430 Stainless Steel, Polished
- Width: 100 cm (39-3/8")
- Non-ducted
- Telescopic rods accommodate 8' to 9' ceilings
- Halogen lighting (6 bulbs included. Type T3, G4 base, 12 volt, 20 watts max.)
- Dual 4-speed push-button controls with lighted speed indicator
- Dual motor design - allows independent operation for focused filtration
- Perimeter aspiration provides smooth surfaces to ease cleaning
- Heat Sentry™ - automatically turns blower to high speed when excess cooking heat is detected
- Delay timer control automatically shuts off range hood after 10 minutes
- Filter clean reminder
- For indoor use only

OPTIONS

- Replacement charcoal filters available (Model AFCIM32)

SPECIFICATIONS

VOLTS	HZ	AMPS
120	60	3.38



Mount range hood so bottom of hood is 24" minimum above cooking surface.

BEST Hartford, Wisconsin www.BestRangeHoods.com 800-558-1711
 BEST Drummondville, QC, Canada www.BestRangeHoods.com 866-737-7770

REFERENCE	QTY.	REMARKS	Project
			Location
			Architect
			Engineer
			Contractor
			Submitted by
			Date