

SOPHISTICATED STYLE. FLEXIBLE INSTALLATION.
TRANSFORM YOUR GRILLING EXPERIENCE.

best®

OUTDOOR RANGE HOODS



WPD39M48SB
48" hood shown
with optional
3" wall extension
and 30" extended
flue for 10' ceiling



Ample 30" deep design to handle heat and size of outdoor grills. Optional 3" wall extension for even greater coverage without expensive wall accommodations.

Design allows choice of blowers, either internal or external, for the perfect blend of performance and quiet.

Heat Sentry™ detects excessive heat and adjusts speed to high automatically.

Variable-speed control resists the effects of heat and moisture.

UL listed for use in damp locations.

Convenient ON/OFF switch remembers the last blower setting.

Model Numbers:

WPD39M36SB

WPD39M42SB

WPD39M48SB

WPD39M60SB



Patent-pending V-Baffle design directs grease to an easy-to-remove tray.



Halogen lamps provide brilliant cooktop lighting. 2 on 36" and 42"—3 on 48" and 60" width hoods.



A variable-speed rotary control enables infinite blower speed adjustment.

Standard and Extended Depth Flue Covers

Corrosion resistant flue covers in professional grade stainless steel attach to the top of the range hood shell. Available in 6", 18", 30" and 30-54" telescopic heights. Deeper flues are available for hoods using the 3" wall extension.



Fixed 6" = 8' ceiling
Fixed 18" = 9' ceiling
Fixed 30" = 10' ceiling
Telescopic 30-54" = 10'-12' ceiling

Hood Sizes

Widths	36", 42", 48", 60"
Depths	30" (33" with Optional 3" Wall Extension)

Finish

Stocked	Corrosion Resistant Grade Stainless Steel
Special Order	Not Available

Features

Lighting Type	Halogen, MR16; GU10-50W
Number of Lamps	2 on 36" and 42" 3 on 48" and 60"
Lighting Levels	2
Lighting Lamps Included	Yes
Control Type	Variable-Speed, Rotary, Illuminated ON/OFF with Last Memory Setting
Control Features	Heat Sentry™
Remote Control	Not Available
Filter Type	304 Stainless Steel Baffle Filters
Grease Tray and Rail	Non-stick
Non-ducted Capability	No

Hood Blower Options (Must choose one blower sold separately)

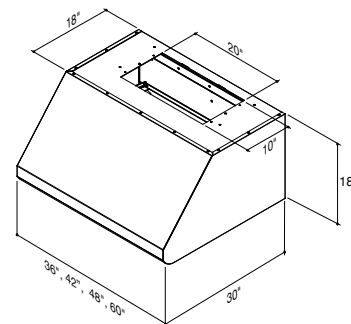
Internal	P12	
Blower CFM	1200	
Sones Low/High	2.25/12.0	
External In-line	ILB11	
Max CFM	1100	
Some levels are typically half of comparable CFM internal blowers.		
External Exterior	EB12	EB15
Max CFM	1200	1500
Some levels are typically half of comparable CFM internal blowers.		

Installation Requirements

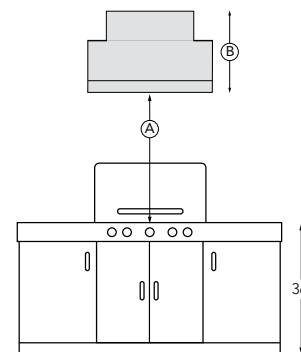
Amps @ 120V	6.4 Max
Electrical	Direct Wire
Duct Size: Internal Blower	10"
Duct Direction	Vertical
Backdraft Damper	Not Included

Accessories

Flue Cover (Standard Depth)	6" AEWPD36SB 18" AEWPD318SB 30" AEWPD330SB 30-54" AEWPD3054SB
Flue Cover (Extended Depth)	6" AEWPD36SBE 18" AEWPD318SBE 30" AEWPD330SBE 30-54" AEWPD3054SBE
Backsplash (36", 42" and 48" only)	36" ABWPD36SB 42" ABWPD42SB 48" ABWPD48SB
3" Wall Extension	Adds 3" to depth of hood 36" AWWPD336SB 42" AWWPD342SB 48" AWWPD348SB 60" AWWPD360SB



For more details see the product specifications sheet found at www.BESTRangeHoods.com



A. Installation height above the cooking surface: 36"

B. The distance from bottom of range hood to top of hood: 18" 24" with optional 6" flue 36" with optional 18" flue 48" with optional 30" flue





Large 27" deep design to handle heat and size of outdoor grills for a best-in-class capture. Optional 3" wall extension for even greater coverage without expensive wall accommodations. UL listed for use in damp locations.

Illuminated ON/OFF indicator
4-speed rotary controls resist the effects of heat and moisture.
Heat Sentry™ detects excessive heat and adjusts speed to high automatically.

Model Numbers:

WPD38I36SB WPD38I42SB WPD38I48SB WPD38I60SB



Large, easy-to-remove baffle filter and grease rail.



Bright halogen lighting and 4-speed control with illuminated ON/OFF indicator.



1200 CFM Internal Blower. Tested to ensure operation in corrosive environments.

Standard and Extended Depth Flue Covers

Corrosion resistant flue covers in professional grade stainless steel attach to the top of the range hood shell. Available in 6", 18", 30" and 30"-54" telescopic heights. Deeper flues are available for hoods using the 3" wall extension.



Fixed 6" = 8' ceiling
Fixed 18" = 9' ceiling
Fixed 30" = 10' ceiling
Telescopic 30-54" = 10'-12' ceiling

Hood Sizes

Widths	36", 42", 48", 60"
Depth	27" (30" with Optional 3" Wall Extension)

Finish

Stocked	Corrosion Resistant Grade Stainless Steel
Special Order	Not Available

Features

Lighting Type	Halogen, MR16; GU10-50W
Number of Lamps	2 on 36" and 42" 3 on 48" and 60"
Lighting Levels	1
Lighting Lamps Included	Yes
Control Type	4-speed, Rotary, Illuminated ON/OFF Indicator
Control Features	Heat Sentry™
Remote Control	Not Available
Filter Type	304 Stainless Steel Baffle Filters
Non-ducted Capability	No

Hood Blower Included (WPD38I)

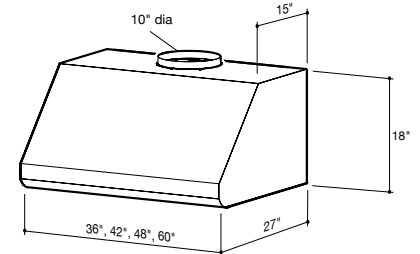
Internal Vertical	
Blower CFM	1160
Sones High	11.0

Installation Requirements

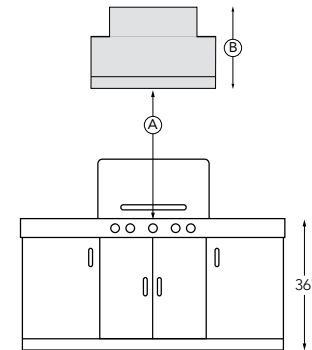
Amps @ 120V	9.0 Max
Electrical	Direct Wire
Duct Size: Internal Blower	10"
Duct Size: External Blower	Not Available
Duct Direction	Vertical
Backdraft Damper	Not Included

Accessories

Flue Cover (Standard Depth)	6" AEWPD36SB
	18" AEWPD318SB
	30" AEWPD330SB
	30"-54" AEWPD3054SB
Flue Cover (Extended Depth)	6" AEWPD36SBE
	18" AEWPD318SBE
	30" AEWPD330SBE
	30"-54" AEWPD3054SBE
Backsplash (36", 42" and 48" only)	36" ABWPD36SB
	42" ABWPD42SB
	48" ABWPD48SB
3" Wall Extension	Adds 3" to depth of hood
	36" AWWPD336SB
	42" AWWPD342SB
	48" AWWPD348SB
	60" AWWPD360SB

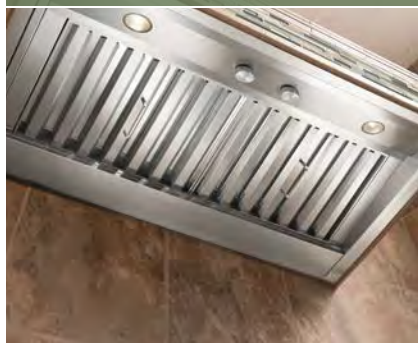


For more details see the product specifications sheet found at www.BESTRangeHoods.com



A. Installation height above the cooking surface: 36"
B. The distance from bottom of range hood to top of hood: 18"
24" with optional 6" flue
36" with optional 18" flue
48" with optional 30" flue





22.5" deep design handles heat of outdoor grills.

Controls are designed to resist the effects of heat and moisture.

UL listed for use in damp locations.

Heat Sentry™ detects excessive heat and adjusts speed to high automatically.

Integrated liner simplifies installation with a complete finished look.

Model Numbers:

CPDI362SB CPDI482SB CPDI602SB



Large baffle filter design for superior grease capture.



Halogen lights provide bright cooktop lighting, 2 on 36"—3 on 48" and 60".



Three-speed rotary controls allow the user to choose operating preference.

Hood Sizes

Widths	34-3/8", 46-3/8", 58-7/8"
Depth	22-1/2"

Finish

Stocked	Corrosion Resistant Grade Stainless Steel
Special Order	Not Available

Features

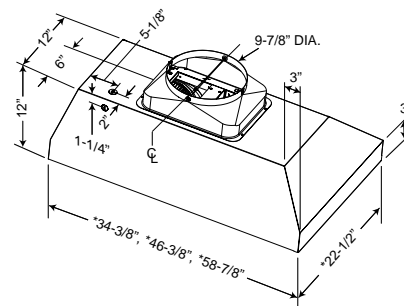
Lighting Type	Halogen, MR16; GU10-50W
Number of Lamps	2 on 36" 3 on 48" and 60"
Lighting Levels	2
Lighting Lamps Included	Yes
Control Type	3-speed Rotary
Control Features	Heat Sentry™
Remote Control	Not Available
Filter Type	304 Stainless Steel Baffle Filters
Non-ducted Capability	No

Hood Blower Included (CPD)

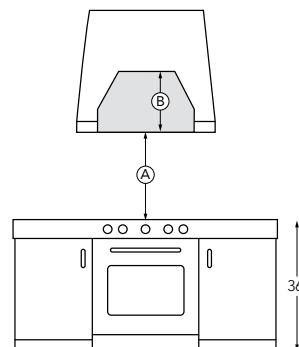
Internal Vertical	
Blower CFM	1200
Sones Low/High	3.0/11.5

Installation Requirements

Amps @ 120V Electrical	7.1 Max Direct Wire
Duct Size: Internal Blower	10"
Duct Size: External Blower	Not Available
Duct Direction	Vertical
Backdraft Damper	Not Included



For more details see the product specifications sheet found at www.BESTRangeHoods.com



A. Installation height above the cooking surface: 36"

B. The distance from bottom of range hood to top of hood: 12"

