



Intrigue is a statement piece to be used with optional treatments—it's a focal point that peaks your curiosity.

Bright halogen bulbs light the cooktop and surrounding area for clear visibility.

Quick release, dishwasher safe grease filters ensure a clean, fresh kitchen.

Heat Sentry™ detects excessive heat and adjusts blower to high automatically.

Works with optional Universal Make-Up Air Dampers.

Model Number:

WM45I80SB



Decorative stainless steel flue can be painted to match surroundings for a completely different look.



Four-speed Electronic control includes 10-minute delay-off and filter clean reminder.



Hood Sizes

Width	31-1/2"
Depth	16-9/16"

Finish

Stocked	Brushed Stainless Steel
Special Order	Not Available

Features

Lighting Type	Halogen (Type T4, G9, 25 watt max.)
Number of Lamps	2
Lighting Levels	2
Lighting Lamps Included	Yes
Control Type	4-speed Electronic
Control Features	Heat Sentry™, Delay Off, Filter Clean Reminder
Remote Control	Not Available
Filter Type	Mesh Grease Filter
Non-ducted Capability	Yes

Hood Blower Included (WM45I)

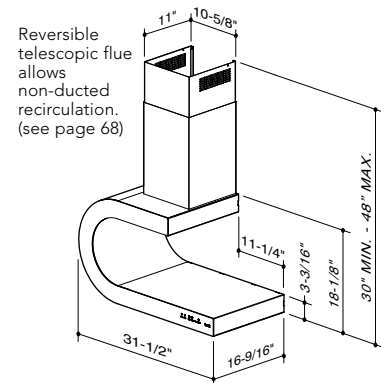
Internal	Centrifugal blower
Blower CFM	460
Sones Low/High	2.5/8.5

Accessories

Non-Duct Kit	ANKWM45
Charcoal Replacement Filter	AFCWM45
Universal MUA Damper	MD6TU, MD8TU, MD10TU

Installation Requirements

Amps @ 120V: Internal Blower	3.12
Electrical Connection	Plug In
Duct Size: Internal Blower	6"
Duct Direction	Vertical
Backdraft Damper	Included



Installation height above the cooking surface: 22"-30"

Telescopic flue for 8'-9' ceiling is standard

For more details see the product specifications sheet found at www.BESTRangeHoods.com