



A true piece of wall art, white or black glass surrounds a mirror like stainless steel disc.

Flip-up decorative front panel provides perimeter aspiration while hiding filtration.

Bright halogen bulbs light the cooktop and surrounding area for clear visibility.

Quick release, dishwasher safe grease filters ensure a clean, fresh kitchen.

Heat Sentry™ detects excessive heat and adjusts blower to high automatically.

Works with optional Universal Make-Up Air Dampers.

#### Model Numbers:

WC43I80B

WC43I80W



Four-speed electronic control includes 10-minute delay-off and filter clean reminder.



Optional decorative flue for ducted applications creates a unique look.



#### Hood Sizes

<b>Width</b>	<b>31-1/2"</b>
<b>Depth</b>	<b>16-1/4"</b>

#### Finish

Stocked	White or Black Glass
Special Order	Not Available

#### Features

Lighting Type	Halogen (Type T4, G9, 25 watt max.)
Number of Lamps	2
Lighting Levels	2
Lighting Lamps Included	Yes
Control Type	4-speed Electronic
Control Features	Heat Sentry™, Delay Off, Filter Clean Reminder
Remote Control	Not Available
Filter Type	Mesh Grease and Charcoal Filter with Perimeter Aspiration
Non-ducted Capability	Yes (ships in non-duct configuration)

#### Hood Blower Included (WC43I)

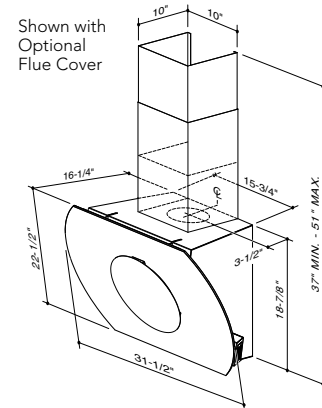
Internal	Centrifugal blower
Blower CFM	460
Sones Low/High	3.0/7.5

#### Accessories

Ducted Kit	AEWC43SP (necessary for ducted applications)
Charcoal Replacement Filter	FILTEREB40
Universal MUA Damper	MD6TU, MD8TU, MD10TU

#### Installation Requirements

Amps @ 120V: Internal Blower	3.12
Electrical Connection	Plug In
Duct Size: Internal Blower	6"
Duct Direction	Vertical
Backdraft Damper	Included



Installation height above the cooking surface: 20"-30"

Optional telescopic flue for 8'-9" ceiling

For more details see the product specifications sheet found at [www.BESTRangeHoods.com](http://www.BESTRangeHoods.com)