



Blue LED light provides beautiful accent color to the glass canopy. Ambient light sensor automatically turns on/off LED accent light.

Quick release, dishwasher-safe, stainless steel, mesh grease filters ensure a clean, fresh kitchen. Ten-minute time-delay shut-off feature and reminder light for filter maintenance.

Heat Sentry™ detects excessive heat and adjusts speed to high automatically. Works with optional Universal Make-Up Air Dampers. CFM Reducer Kit for internal blower reduces max CFM to 250-300.

Model Numbers:

WC26E36CB	WC26E42CB	WC26E48CB	WC26I36CB	WC26I42CB	WC26I48CB
WC26E36SB	WC26E42SB	WC26E48SB	WC26I36SB	WC26I42SB	WC26I48SB



Two 20-watt halogen lamps provide ample lighting for the work surface.



Four-speed electronic push-button control with blue LED display.



Hood Sizes

Widths	36", 42", 48"
Depth	21"

Finish

Stocked	Brushed Stainless Steel with Clear Glass
Special Order	Brushed Copper with Clear Glass

Features

Lighting Type	Halogen, G4-20W
Number of Lamps	2
Lighting Levels	2
Lighting Lamps Included	Yes
Control Type	4-speed Electronic Pushbutton with LED Display
Control Features	Heat Sentry™, Delay Off, Filter Timer, Light Sensor
Remote Control	Not Available
Filter Type	Stainless Steel with Mesh Grease Filter
Non-ducted Capability	Yes

Hood Blower Included (WC26I)

Internal	
Blower CFM High/Low	480/130
Sones Low/High	9.5/1.0

Hood Blower Options (WC26E blowers sold separately)

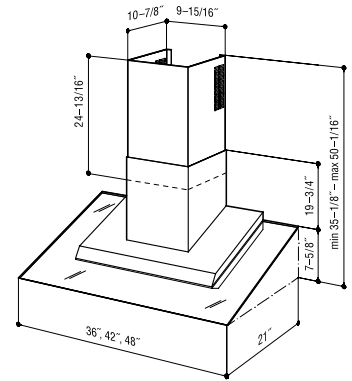
External In-line	ILB3	ILB6	ILB9	ILB11
Vertical or straight through CFM	280	600	800	1100
Horizontal or right angle CFM	260	600	700	1000
Sone levels are typically half of comparable CFM internal blowers.				
External Exterior	EB6	EB9	EB12	EB15
Blower CFM	600	900	1200	1500
Sone levels are typically half of comparable CFM internal blowers.				

Accessories

10' Flue Extension (Ducted)	AEWC26SB—Stainless Steel AEWC26CB—Copper
10' Flue Extension (Non-ducted)	AEWC26SBN—Stainless Steel AEWC26CBN—Copper
Non-ducted Recirculating Kit	ANKWC26
CFM Reducer Kit	ARP6
Universal MUA Damper	MD6TU, MD8TU, MD10TU

Installation Requirements

Amps @ 120V	3.13
Amps @ 120V: External Blower	7.0 Max
Electrical	Plug In
Duct Size: Internal Blower	6"
Duct Size: External Blower	8" at hood (Transition to 10" typical, see pages 64-65)
Duct Direction	Vertical
Backdraft Damper	Included



Installation height above the cooking surface:

- 8' ceiling: 22"-25"
- 9' ceiling: 22"-28"
- 10' ceiling: 22"-28"

Telescopic flue for 8'-9' ceiling is standard. Optional flue extensions for 10' ceiling

Reversible telescopic flue allows non-ducted recirculation. (see page 68)

For more details see the product specifications sheet found at www.BESTRangeHoods.com