



HVI Certified performance
Up to 60 minute time-delay shut-off feature

Quick release aluminum mesh, dishwasher-safe filters

Telescopic flue for 7'8" to 9' ceilings is standard

Recirculating flues have vent openings to allow non-ducted operation. Reversible design allows openings to be hidden in most ducted applications

Designed to work with optional universal make-up air damper (MD6TU or MD8TU)

Available in US only

Model Numbers:

WBF4I30SB

WBF4I36S



Quick release aluminum mesh, dishwasher-safe filters.



Two halogen lights to brightly illuminate the cooktop.



3-speed control with LCD display.

Hood Sizes

Widths 30", 36"

Depth 19-3/4"

Finish

Stocked Brushed Standard Grade Stainless Steel

Special Order Not Available

Features

Lighting Type Halogen, Type JC, 12V, 20W Maximum

Number of Lamps 2

Lighting Levels 1

Lighting Lamps Included Yes

Control Type 3-Speed, Electronic Push-button with Lighted LCD Screen

Control Features Delay Off

Remote Control Not Available

Filter Type Aluminum Mesh Filter, Dishwasher safe, Quick release

Non-ducted Capability Yes

Hood Blower Included

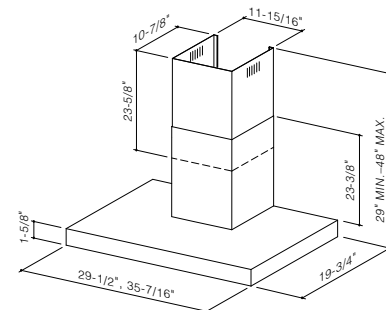
| Internal | |
|---------------------|---------|
| Blower CFM High/Low | 400/190 |
| Sones Low/High | 8.5/2.5 |

Accessories

Non-ducted Filter Kit ANKWBF4

Installation Requirements

Amps @ 120V 3.3 Maximum
Electrical Cord Connected
Duct Size: Internal Blower 6" Round
Duct Size: External Blower Not Available
Duct Direction Vertical
Backdraft Damper Included



Installation height above the cooking surface: 24"–30"

Telescopic flue for 8'–9' ceiling is standard.

Reversible telescopic flue allows non-ducted recirculation (see page 70).

For more details see the product specifications sheet found at www.BESTRangeHoods.com

