



Quick release, dishwasher-safe, stainless steel with mesh grease filters ensure a clean, fresh kitchen.

Heat Sentry™ detects excessive heat and adjusts speed to high automatically.

Works with optional Universal Make-Up Air Dampers.

Standard stainless steel is not recommended for installations along saltwater coastal areas.

CFM Reducer Kit reduces max CFM to 250-300.

Model Numbers:

K313930BL

K313930SS

K313936BL

K313936SS

K313942SS



Three-speed pushbutton control includes an "ON" indicator.



Halogen lamps illuminate the cooktop brilliantly.



Hood Sizes

Width 30", 36", 42"

Depth 19-5/8"

Finish

Stocked Brushed Stainless Steel
Special Order Powdercoat Black

Features

Lighting Type	Halogen, G4-20W
Number of Lamps	2
Lighting Levels	1
Lighting Lamps Included	Yes
Control Type	3-Speed Pushbutton
Control Features	Heat Sentry™
Remote Control	Not Available
Filter Type	Stainless Steel with Mesh Grease Filter
Non-ducted Capability	Yes

Hood Blower Included (K3139)

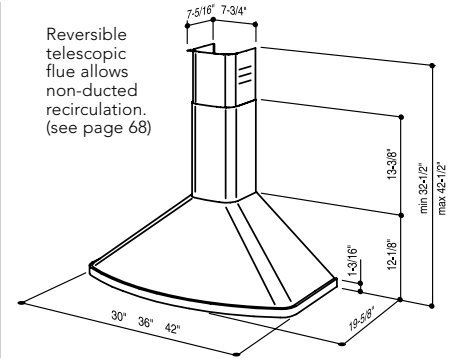
Internal	
Blower CFM	400
Sones	6.0

Accessories

10' Flue Extension (Ducted)	FEXTK3139SS FEXTK3139BL
10' Flue Extension (Non-ducted)	Not Available
Non-ducted Recirculating Kit	NDK3139
CFM Reducer Kit	ARP6
Universal MUA Damper	MD6TU, MD8TU, MD10TU

Installation Requirements

Amps @ 120V	3.03
Electrical	Plug In
Duct Size: Internal Blower	6"
Duct Direction	Vertical
Backdraft Damper	Included



Installation height above the cooking surface: 24"-30"

Telescopic flue for 8'-9" ceiling is standard. Optional flue extensions for 10' ceiling

For more details see the product specifications sheet found at www.BESTRangeHoods.com