



Polished stainless steel adds a sculptured elegance to your kitchen design.

LED lighting has an extremely long lifespan; lamps may never need replacement.

Perimeter aspiration provides a smooth surface for easy cleaning.

Heat Sentry™ detects excessive heat and adjusts blower to high automatically.

Works with optional Universal Make-Up Air Dampers.

**Model Number:**  
IM33I45SP



Telescopic flue accommodates ceiling heights 8' to 9'.



Four-speed electronic pushbutton control includes 10-minute delay-off and filter clean reminder.



### Hood Sizes

<b>Width</b>	<b>18"</b>
<b>Depth</b>	<b>17-1/8"</b>

### Finish

Stocked	Polished Stainless Steel
Special Order	Not Available

### Features

Lighting Type	LED-3 watts
Number of Lamps	3
Lighting Levels	1
Lighting Lamps Included	Yes
Control Type	4-speed Electronic
Control Features	Heat Sentry™, Delay Off, Filter Clean Reminder
Remote Control	Not Available
Filter Type	Mesh Grease Filter with Perimeter Aspiration
Non-ducted Capability	Yes (Included)

### Hood Blower Included (IM33I)

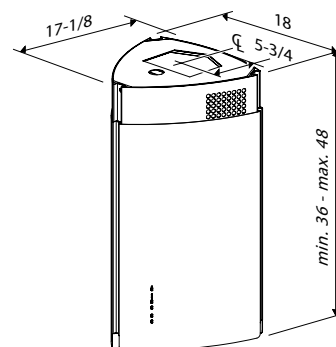
Internal	Centrifugal Blower
Blower CFM	400
Sones Low/High	3.0/7.0

### Accessories

Charcoal Replacement Filter	AFCIM33
Universal MUA Damper	MD6TU, MD8TU, MD10TU

### Installation Requirements

Amps @ 120V: Internal Blower	2.81
Electrical Connection	Direct Wire
Duct Size: Internal Blower	6"
Duct Direction	Vertical
Backdraft Damper	Included



Installation height above the cooking surface: 21"-30"

For more details see the product specifications sheet found at [www.BESTRangeHoods.com](http://www.BESTRangeHoods.com)