



Glass panels are suspended over the cooktop by two telescopic rods in this unique island design.

Bright halogen bulbs light the cooktop and surrounding area for clear visibility.

Perimeter aspiration provides a smooth surface for easy cleaning.

Four-speed electronic control includes 10-minute delay-off and filter clean reminder.

Quick release, dishwasher safe grease filters ensure a clean, fresh kitchen.

Heat Sentry™ detects excessive heat and adjusts blower to high automatically.

Works with optional Universal Make-Up Air Dampers.

Model Numbers:

IC35I90B

IC35I90W



Optional flue kit works for ducted or non-ducted applications.



Telescopic rods accommodate ceiling heights 8'-9'.



Hood Sizes

Width 35-7/16"

Depth 13-3/4"

Ceiling Mount Bracket 9-1/4"

Finish

Stocked Black or White Glass with Brushed Stainless Steel

Special Order Not Available

Features

Lighting Type Halogen (Type T4, G9, 25 watt max.)

Number of Lamps 2

Lighting Levels 2

Lighting Lamps Included Yes

Control Type 4-speed Pushbutton

Control Features Heat Sentry™, Delay Off, Filter Clean Reminder

Remote Control Not Available

Filter Type Mesh Grease Filter with Perimeter Aspiration

Non-ducted Capability Yes (ships in non-duct configuration)

Hood Blower Included (IC35I)

Internal	Centrifugal blower
Blower CFM	490
Sones Low/High	2.5/7.0

Accessories

Optional Flue Kit AEIC35SB (necessary for ducted applications)

Charcoal Replacement Filter FILTEREB40

Universal MUA Damper MD6TU, MD8TU, MD10TU

Installation Requirements

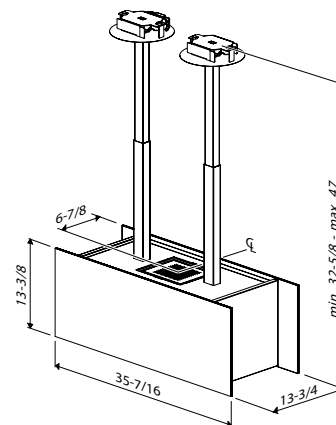
Amps @ 120V: Internal Blower 3.12

Electrical Connection Direct Wire

Duct Size: Internal Blower 6"

Duct Direction Vertical

Backdraft Damper Included



Installation height above the cooking surface: 24"-30"

Optional telescopic flue for 8'-9' ceiling

For more details see the product specifications sheet found at www.BESTRangeHoods.com