



Powered by the exclusive iQ Blower System™ with GPS Technology (see page 62) for the quietest, most energy efficient and fastest smoke and odor removal available in a range hood; external blowers offered separately.

LED lighting has an extremely long lifespan; lamps may never need replacement.

Quick release, dishwasher safe grease filters ensure a clean, fresh kitchen.

Heat Sentry™ detects excessive heat and adjusts blower to high automatically.

Works with optional Universal Make-Up Air Dampers.

Model Numbers:

IC34IQ100SB

IC34E100SB



Four-speed Electronic pushbutton control, with LED indicator, includes 10-minute delay-off and filter clean reminder.



Four LED lamps brightly illuminate the cooktop.



Optional ACR2 remote control lets the busy cook stay in control from anywhere in the kitchen.



Hood Sizes

Width 39-3/8"

Depth 27-5/8"

Finish

Stocked Brushed Stainless Steel

Special Order Not Available

Features

Lighting Type LED 6-watts

Number of Lamps 4

Lighting Levels 1

Lighting Lamps Included Yes

Control Type 4-speed Electronic Pushbutton

Control Features Heat Sentry™, Delay Off, Filter Clean Reminder

Remote Control Optional ACR2

Filter Type Mesh Grease Filter

Non-ducted Capability Yes

Hood Blower Included (IC34IQ)

Internal	iQ6
Blower CFM	600
Sones Low/High	0.3/7.5

Hood Blower Options (IC34E blowers sold separately)

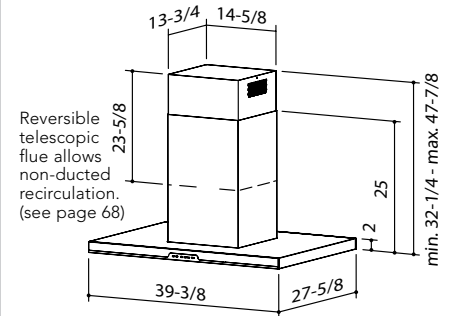
External In-line	ILB3	ILB6	ILB9	ILB11
Max CFM	280	600	800	1100
Some levels are typically half of comparable CFM internal blowers.				
External Exterior	EB6	EB9	EB12	EB15
Max CFM	600	900	1200	1500
Some levels are typically half of comparable CFM internal blowers.				

Accessories

10'-11' Flue Extension (Ducted)	AEIC34SB
10'-11' Flue Extension (Non-ducted)	AEIC34SBN
Non-Duct Kit	ANKIC34
Non-Duct Filter	AFCWC345
Universal MUA Damper	MD6TU, MD8TU, MD10TU

Installation Requirements

Amps @ 120V: Internal Blower	4.3
Amps @ 120V: External Blower	7.0 Max
Electrical Connection	Direct Wire
Duct Size: Internal Blower	8"
Duct Size: External Blower	8" at hood (Transition to 10" typical, see pages 64-65)
Duct Direction	Vertical
Backdraft Damper	Included



Installation height above the cooking surface: 24"-36"

Telescopic flue for 8'-9' ceiling is standard. Optional flue extensions for 10'-11' ceiling

For more details see the product specifications sheet found at www.BESTRangeHoods.com