



HVI Certified performance. Up to 60 minute time-delay shut-off feature. Quick release aluminum mesh, dishwasher-safe filters. Telescopic flue for 7'8" to 9' ceilings is standard.

Recirculating flues have vent openings to allow non-ducted operation. Reversible design allows openings to be hidden in most ducted applications. Designed to work with optional universal make-up air damper (MD6TU or MD8TU).

Available in US only

Model Numbers:
IBF4I36SB



Quick release aluminum mesh, dishwasher-safe filters



Four halogen lights to brightly illuminate the cooktop



3-speed control with LCD display

Hood Sizes

Width	36"
Depth	23-5/8"

Finish

Stocked	Brushed Standard Grade Stainless Steel
Special Order	Not Available

Features

Lighting Type	Halogen, Type JC, 12V, 20W Maximum
Number of Lamps	4
Lighting Levels	1
Lighting Lamps Included	Yes
3-Speed, Electronic Push-button with Lighted LCD Screen	
Control Features	Delay Off
Remote Control	Not Available
Filter Type	Aluminum Mesh Filter, Dishwasher safe, Quick release
Filter: Options	Not Available
Non-ducted Capability	Yes

Hood Blower Included

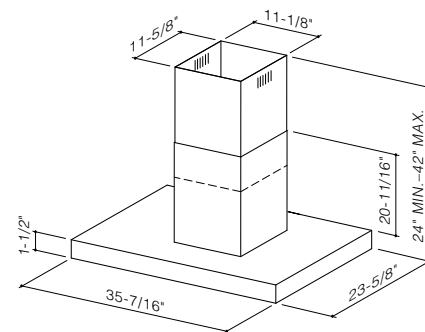
Internal Vertical	
Blower CFM	400/190
Sones Low/High	2.5/8.5

Accessories

Non-Duct Filter Kit	ANKIBF4
10' Flue extension (Ducted)	09086

Installation Requirements

Amps @ 120V	3.3 Maximum
Electrical	Hard Wired
Duct Size: Internal Blower	6" Round
Duct Direction	Vertical
Backdraft Damper	Included



Installation height above the cooking surface: 24"-30"

Telescopic flue for 8'-9' ceiling is standard.

For more details see the product specifications sheet found at www.BESTRangeHoods.com

