



22.5" deep design handles heat of outdoor grills.

Controls are designed to resist the effects of heat and moisture.

UL listed for use in damp locations.

Heat Sentry™ detects excessive heat and adjusts speed to high automatically.

Integrated liner simplifies installation with a complete finished look.

Model Numbers:

CPDI362SB CPDI482SB CPDI602SB



Large baffle filter design for superior grease capture.



Halogen lights provide bright cooktop lighting, 2 on 36"—3 on 48" and 60".



Three-speed rotary controls allow the user to choose operating preference.



Hood Sizes

Widths 34-3/8", 46-3/8", 58-7/16"

Depth 22-1/2"

Finish

Stocked Corrosion Resistant Grade Stainless Steel

Special Order Not Available

Features

Lighting Type Halogen, MR16; GU10-50W

Number of Lamps 2 on 36" | 3 on 48" and 60"

Lighting Levels 2

Lighting Lamps Included Yes

Control Type 3-speed Rotary

Control Features Heat Sentry™

Remote Control Not Available

Filter Type 304 Stainless Steel Baffle Filters

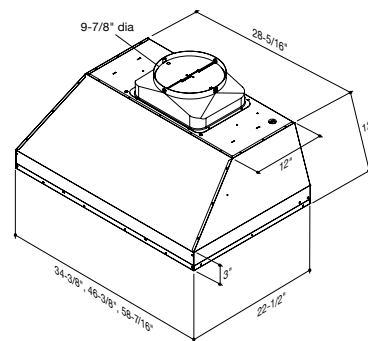
Non-ducted Capability No

Hood Blower Included (CPD)

Internal Vertical	
Blower CFM	1200
Sones Low/High	3.0/11.5

Installation Requirements

Amps @ 120V	7.1 Max
Electrical	Direct Wire
Duct Size: Internal Blower	10"
Duct Size: External Blower	Not Available
Duct Direction	Vertical
Backdraft Damper	Not Included



Installation height above the cooking surface: 36"

For more details see the product specifications sheet found at www.BESTRangeHoods.com