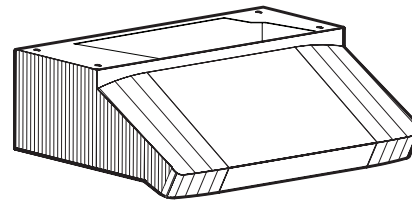


UP27E SERIES RANGE HOOD



For domestic cooking only.

Offers modern styling, high performance, and durable under-cabinet construction to meet the needs of professional-quality residential cooktops.

A complete installation requires several optional components. Refer to page 2 when planning your installation.

FEATURES

HOOD:

- Widths available - 30" to 48" in 6" increments
- Stainless Steel, 20 gauge, type 304
- Stainless Steel baffle filters with removable mesh element - easily accessible, dishwasher safe
- Variable cooktop lighting (Uses 50W, GU10 halogen lamps. 30" & 36" wide hoods = 2 lamps, 42" & 48" wide hoods = 4 lamps. Bulbs included.)
- Solid-State, infinite speed blower control with speed memory
- Exclusive, Heat Sentry™ turns blower ON to HIGH speed when excess heat is detected
- Evolution™ filter - baffle filter with integrated micromesh filter

BACKSPLASH:

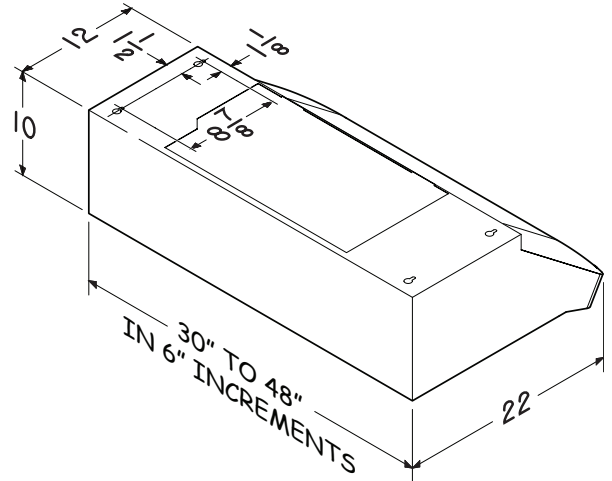
RMP Series (Optional)

- Widths - 30" to 48" in 6" increments
- Stainless steel, 22 gauge, type 430 - protects back wall and wipes clean easily
- Two (2) dual position condiment storage shelves

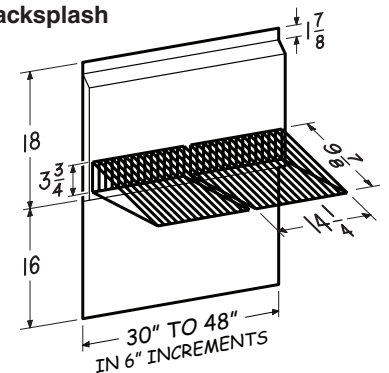
SPECIFICATION:

- 120 VAC, 60 Hz,
- 0.8 Amps without blower (30" & 36" widths)
- 1.7 Amps without blower (42" & 48" widths)

UP27E Series Hood



RMP Series Backsplash (Optional)



Best by Broan, P.O. Box 140, Hartford, WI 53027
Best by Broan, 550 Lemire Blvd., Drummondville, QC J2C 7W9 Canada

REFERENCE	QTY.	REMARKS	Project
			Location
			Architect
			Engineer
			Contractor
			Submitted By Date

BEST BY BROAN UP27E HOOD SYSTEM

