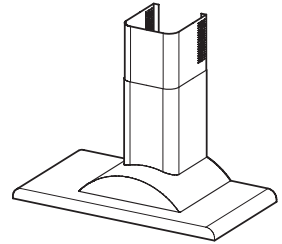


# K7788 SERIES RANGE HOODS



This contemporary Eurodesign range hood is dramatically simple, and simply dramatic. And its ability defies its appearance.

### FEATURES

- Italian design
- Wall mount
- Finish: 304 Stainless Steel #4 Brushed
- Black Glass Control Panel
- Width: 36"
- Ducted/non-ducted telescopic flue accommodates 8' to 9' ceilings
- 6" round duct connector/backdraft damper
- Halogen lighting (2 x 20 watt, Type JC 12V 20W G4 Base - bulbs included) with multilevels from bright cooktop illumination to a low nighttime setting
- Advanced, electronic push-button controls feature delay shutoff
- Quiet, variable-speed centrifugal blower with high-efficiency motor produces 440 cfm of exhaust
- Four-speed motor controls
- Delay timer control automatically shuts off range hood after ten minutes
- Special control indicates when it's time to clean the filter
- Can be ducted to the outside or non-ducted for indoor recirculation (purchase recirculation kit separately)
- Dishwasher-safe filter features a quick-release latch and decorative cover plate
- Heat Sentry™ - automatically turns blower to high speed when excess cooking heat is detected

### OPTIONS

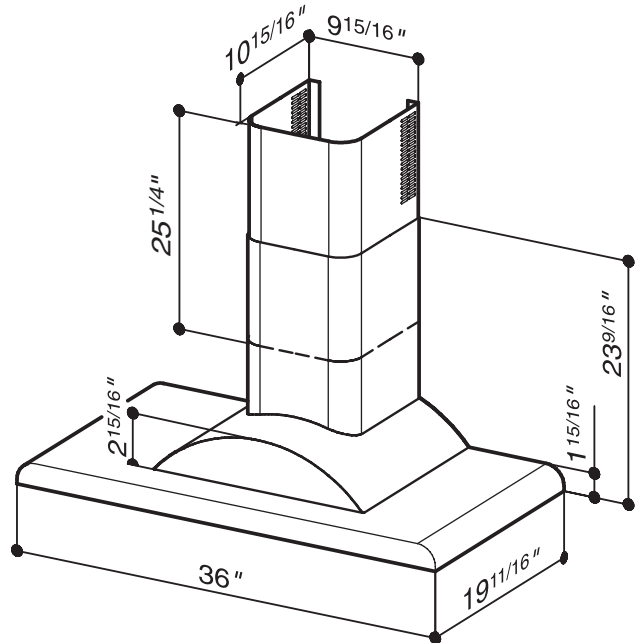
- Replacement grease filters available (Part No. SB08087131)
- Non-ducted recirculation kit (Model NDK7780)
- Flue extension for 10' ceiling (39" long) (for ducted applications only) (Model FEXTK7788SS)
- Replacement charcoal filters available (Model FILTERSQUARE)
- Exterior blower (KEX7788 Series) available, providing 600, 900, 1200, or 1500 cfm exhaust
- Models with Cobalt Blue, Garnet Red, and Sage Green Control Panels are available by Special Order.

### SPECIFICATIONS

VOLTS	AMPS	CFM	SONES	DUCT
120	3.13	440	9.0	6" round



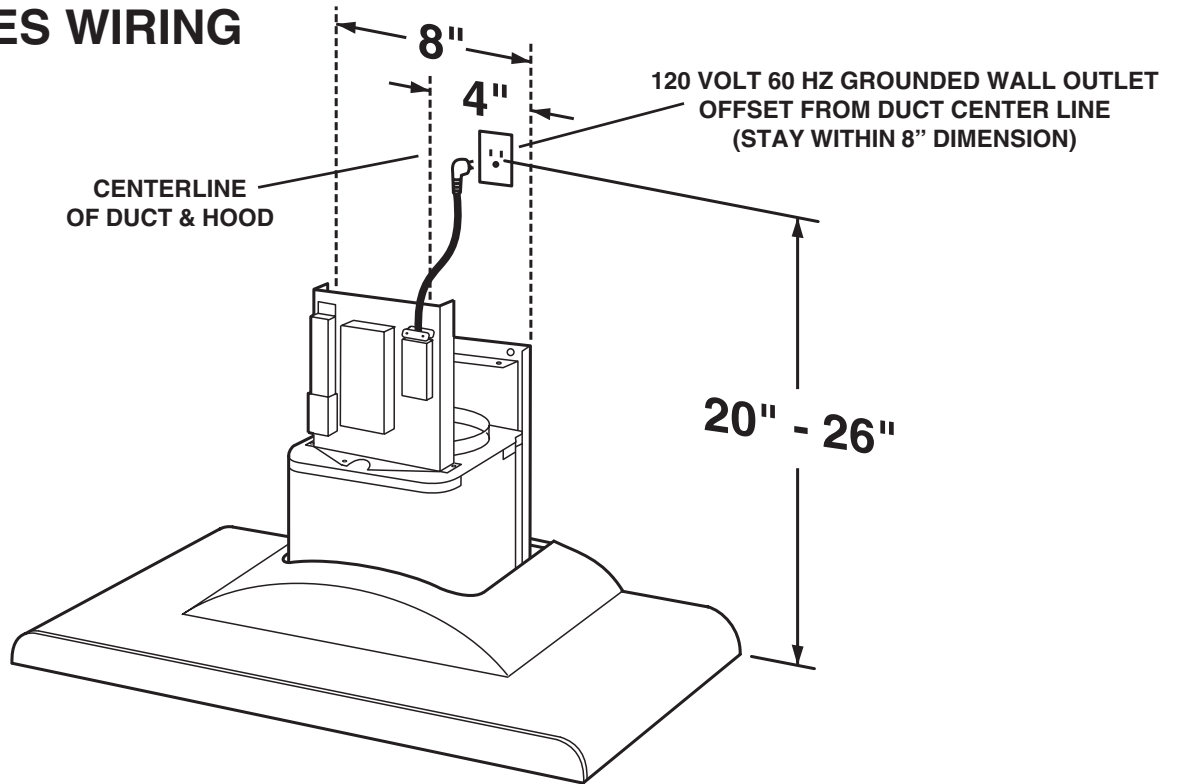
HVI-2100 CERTIFIED RATINGS comply with new testing technologies and procedures prescribed by the Home Ventilating Institute, for off-the-shelf products, as they are available to consumers. Product performance is rated at 0.1 in. static pressure, based on tests conducted in AMCA's state-of-the-art test laboratory. Sones are a measure of humanly-perceived loudness, based on laboratory measurements.



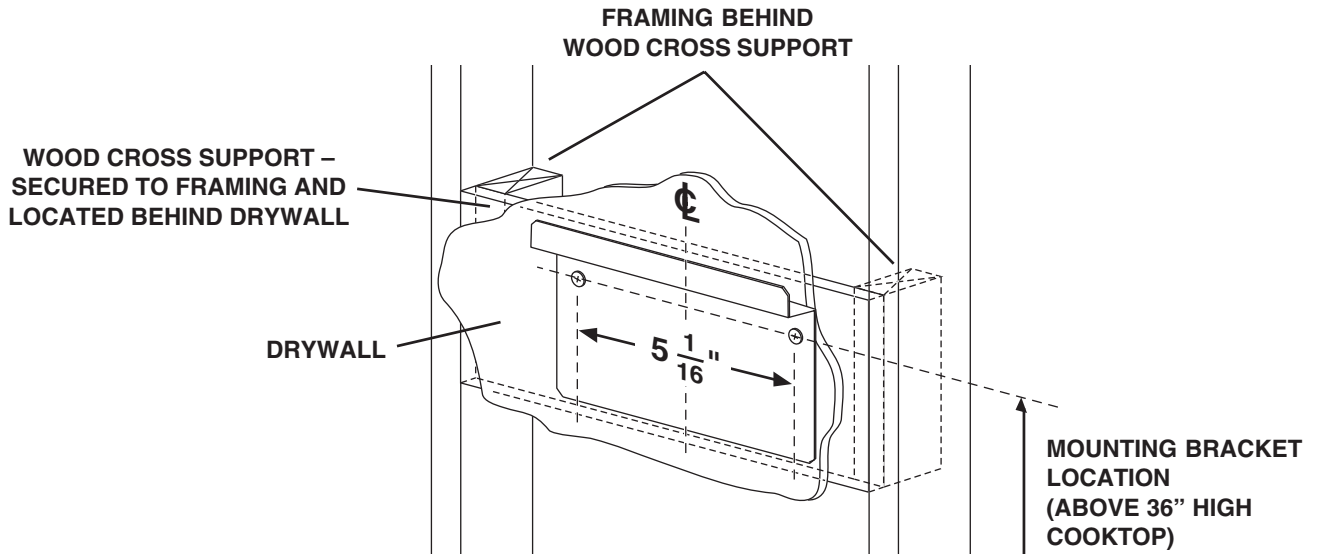
BEST BY BROAN, P.O. BOX 140 HARTFORD, WISCONSIN 53027

REFERENCE	QTY.	REMARKS	Project
			Location
			Architect
			Engineer
			Contractor
			Submitted by
			Date

# K7788 SERIES WIRING



# K7788 SERIES MOUNTING



CEILING HEIGHT	DUCT METHOD	MOUNTING DISTANCE ABOVE 36" HIGH COOKTOP (SEE NOTE BELOW)						
		24"	25"	26"	27"	28"	29"	30"
		MOUNTING BRACKET LOCATION ABOVE 36" HIGH COOK TOP						
8 FEET	DUCTED	37-7/8"	38-7/8"	39-7/8"	40-7/8"	41-7/8"	42-7/8"	
	NONDUCTED	37-7/8"	38-7/8"	39-7/8"	40-7/8"	41-7/8"		
9 FEET	DUCTED OR NONDUCTED		38-7/8"	39-7/8"	40-7/8"	41-7/8"	42-7/8"	43-7/8"
10 FEET	DUCTED WITH FEXTK7788	37-7/8"	38-7/8"	39-7/8"	40-7/8"	41-7/8"	42-7/8"	43-7/8"

**NOTE:** Minimum hood distance above cooktop must not be less than 24".  
 A maximum of 30" above the cooktop is highly recommended for best capture of cooking impurities.  
 Distances over 30" above the cooktop are at the installer's and user's discretion - providing that ceiling height and flue length permit.



BEST BY BROAN, P.O. BOX 140 HARTFORD, WISCONSIN 53027