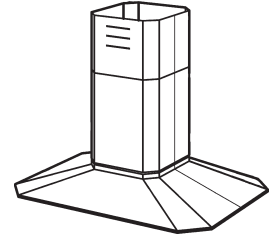


IS170 SERIES RANGE HOODS



The striking beauty of a multifaceted gemstone in a free-hanging design. Its seamless, handcrafted beauty and slim-line construction accent the faceted look of this centerpiece.

FEATURES

- Italian design
- Island mount
- Finishes: 304 Stainless Steel #4 Brushed
- Size: 70cm x 100cm (27-9/16" x 39-3/8")
- Ducted/non-ducted telescopic flue accommodates 8' to 9' ceilings
- 6" round duct connector/backdraft damper
- Halogen lighting (4 x 20 watt, Type MR16) with two-level lighting provides bright cooktop illumination and a low nighttime setting (bulbs included)
- Advanced, multispeed, electronic push-button controls with individual speed indicators
- Quiet, variable-speed centrifugal blower with high-efficiency motor produces 450 CFM of exhaust
- Delay timer control automatically shuts off range hood after ten minutes
- Special control indicates when it's time to clean the filter
- Can be ducted to the outside or non-ducted for indoor recirculation (purchase recirculation kit separately)
- Dishwasher-safe filter features a quick-release latch and decorative cover plate
- Heat Sentry™ - automatically turns blower to high speed when excess cooking heat is detected

OPTIONS

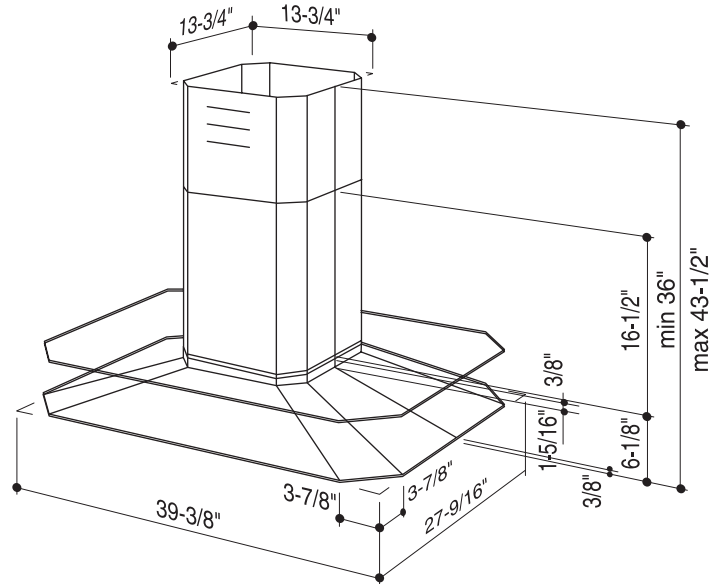
- Glass shelf (Model GSIS170)
- Replacement grease filters available
- Non-ducted recirculation kit (Model NDIS170)
- Replacement charcoal filters available (Model FILTERSQUARE)
- Flue extension for 10' ceiling (Model FEXTIS170 in Stainless Steel, White, Black)
- External blower version available (IEX170)

SPECIFICATIONS

VOLTS	AMPS	CFM	SONES	DUCT
120	3.56	450	8.5	6" round



HVI-2100 CERTIFIED RATINGS comply with new testing technologies and procedures prescribed by the Home Ventilating Institute, for off-the-shelf products, as they are available to consumers. Product performance is rated at 0.1 in. static pressure, based on tests conducted in AMCA's state-of-the-art test laboratory. Sones are a measure of humanly-perceived loudness, based on laboratory measurements.



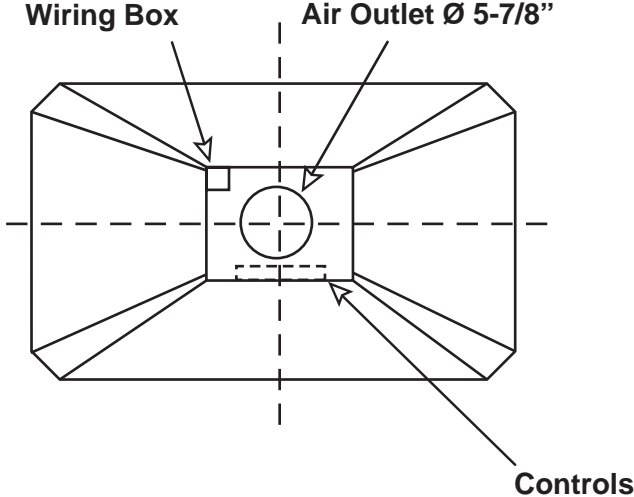
Shown with optional glass shelf.

Mount range hood so bottom of hood is 24" minimum above cooking surface.

BEST BY BROAN P.O. BOX 140 HARTFORD, WISCONSIN 53027

REFERENCE	QTY.	REMARKS	Project
			Location
			Architect
			Engineer
			Contractor
			Submitted by
			Date

IS170 SERIES WIRING



IS170 SERIES MOUNTING

