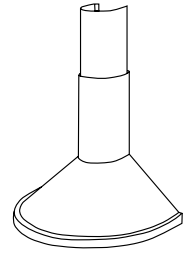


K15 SERIES RANGE HOODS



The graceful curvature of the wall-mounted canopy and flue accentuate the distinctive, seamless appearance achieved through our hand-rolled production techniques.

FEATURES

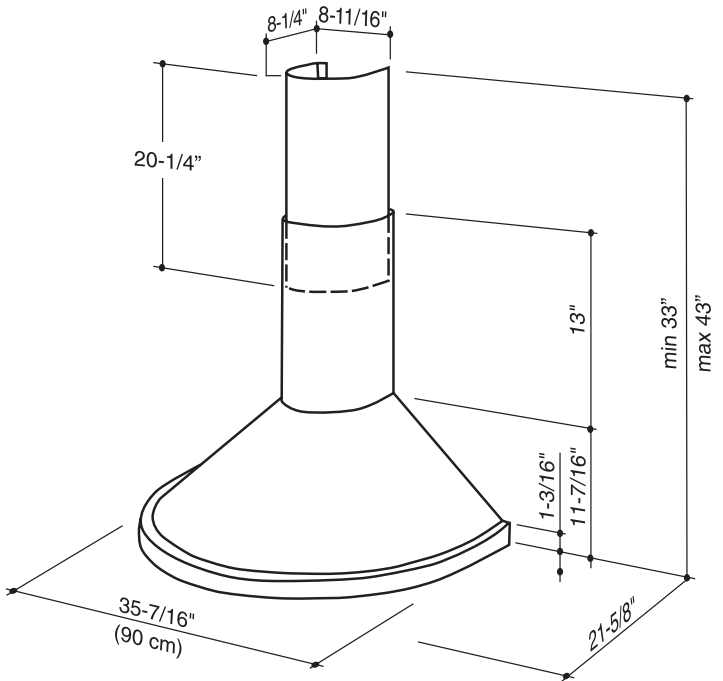
- Italian design
- Wall mount
- Finishes: 430 Stainless Steel #4 Brushed, White, Black
- Widths: 90cm (35-7/16")
- Includes utensil rack
- Telescopic flue accommodates 8' to 9' ceilings
- 6" round duct connector/backdraft damper
- Halogen lighting (2 x 20 watt, Type JC 12V 20W G4 Base - bulbs included)
- Slide controls: on-off, infinite speed
- Single centrifugal blower
- Dishwasher-safe aluminum filters
- Heat Sentry™ - automatically turns blower to high speed when excess cooking heat is detected

OPTIONS

- Backsplash available (Model BSK6)
- Flue extension for 10' ceiling (ducted only) Model No. FEXTK13 (36-3/4" Long)
- Replacement grease filters available
- Replacement bulb (Part No. SB02300891)

SPECIFICATIONS

VOLTS	AMPS	CFM	SONES	DUCT
120	3.13	500	9.5	6" round

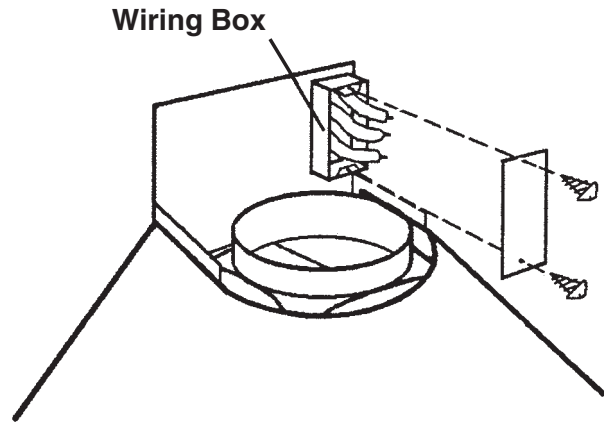
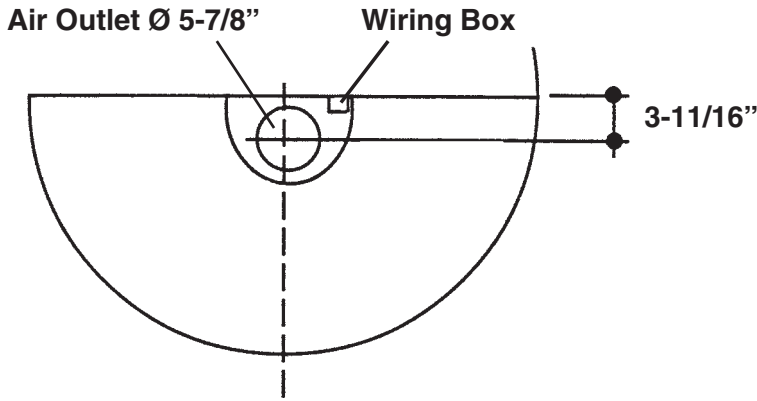


HVI-2100 CERTIFIED RATINGS comply with new testing technologies and procedures prescribed by the Home Ventilating Institute, for off-the-shelf products, as they are available to consumers. Product performance is rated at 0.1 in. static pressure, based on tests conducted in AMCA's state-of-the-art test laboratory. Sones are a measure of humanly-perceived loudness, based on laboratory measurements.

BEST BY BROAN P.O. BOX 140 HARTFORD, WISCONSIN 53027

REFERENCE	QTY.	REMARKS	Project
			Location
			Architect
			Engineer
			Contractor
			Submitted by
			Date

K15 SERIES WIRING

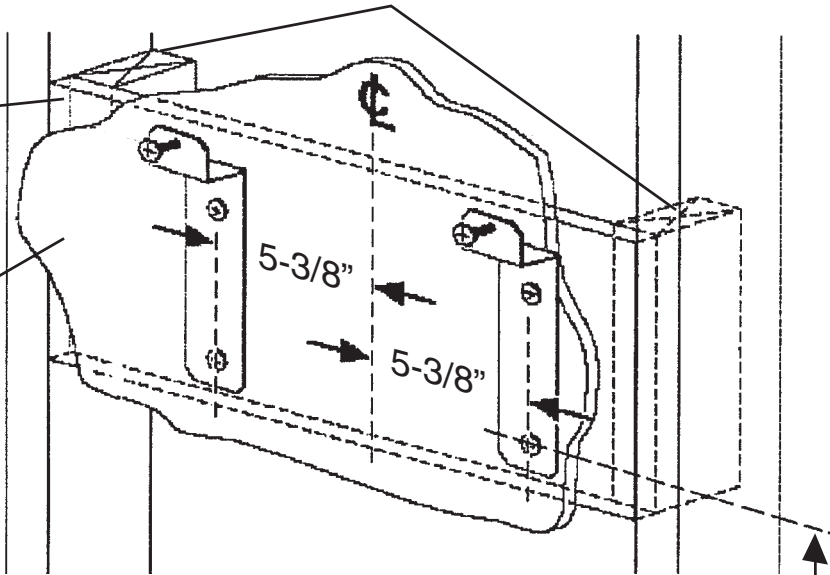


K15 SERIES MOUNTING

FRAMING BEHIND
WOOD CROSS
SUPPORT

WOOD CROSS
SUPPORT -
SECURED TO
FRAMING AND
LOCATED BEHIND
DRYWALL

DRYWALL



**MOUNTING
BRACKET
LOCATION
(ABOVE 36" HIGH
COOKTOP)**

CEILING HEIGHT	HOOD DISTANCE ABOVE 36" HIGH COOKTOP (SEE NOTE)						
	24"	25"	26"	27"	28"	29"	30"
MOUNTING BRACKET LOCATION ABOVE 36" HIGH COOKTOP							
8 FEET	29-7/8"	30-7/8"	31-7/8"	32-7/8"			
9 FEET						34-7/8"	35-7/8"
10 FEET WITH FEXTK15		30-7/8"	31-7/8"	32-7/8"	33-7/8"	34-7/8"	35-7/8"

NOTE: Minimum hood distance above cooktop must not be less than 24".

A maximum of 30" above the cooktop is highly recommended for best capture of cooking impurities. Distances over 30" above the cooktop are at the installer's and user's discretion - providing that ceiling height and flue length permit.

