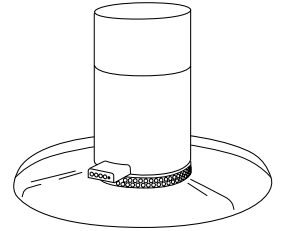


IS241/BER02IS SERIES RANGE HOODS



Circular styling permeates this design from the distinctive hand-blown, clear glass visor right down to the filter opening.

FEATURES

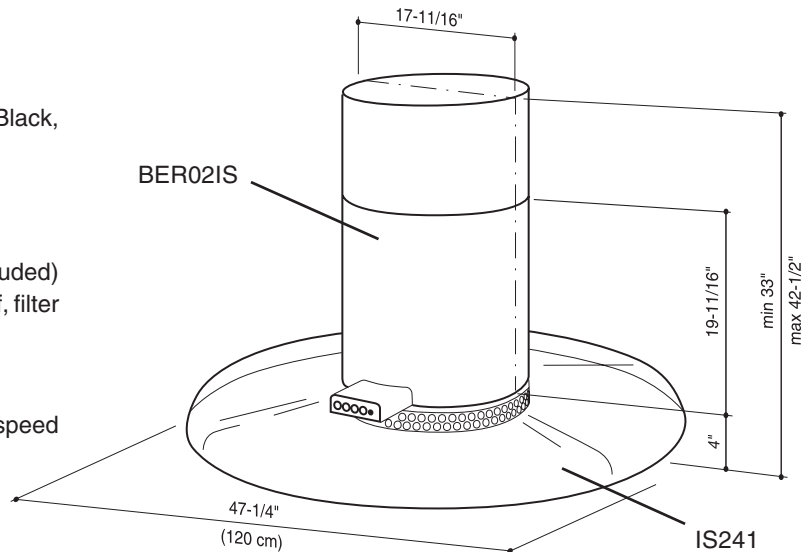
- Italian design
- Island ceiling mount
- Finishes (BER02IS): 304 Stainless Steel, White, Black, Polished Brass, Brushed Copper
- Size (IS241): 120cm diameter
- Telescopic flue accommodates 8' to 9' ceilings
- 6" round duct connector/backdraft damper
- Halogen lighting (2 x 20 watt, Type MR16 - bulbs included)
- Push button controls: lights, four speeds, delayed off, filter cleaning indicator
- Centrifugal blower
- Dishwasher-safe stainless steel/aluminum filter
- Heat Sentry™ - automatically turns blower to high speed when excess cooking heat is detected

OPTIONS

- Flue extension for 10' ceiling (Model No. FEXTIS241)
- Replacement grease filter available
- Replacement bulb (Part No. S02300668)

SPECIFICATIONS

VOLTS	AMPS	CFM	SONES	DUCT
120	3.13	500	9.0	6" round



Mount range hood so bottom of hood is 24" minimum above cooking surface.

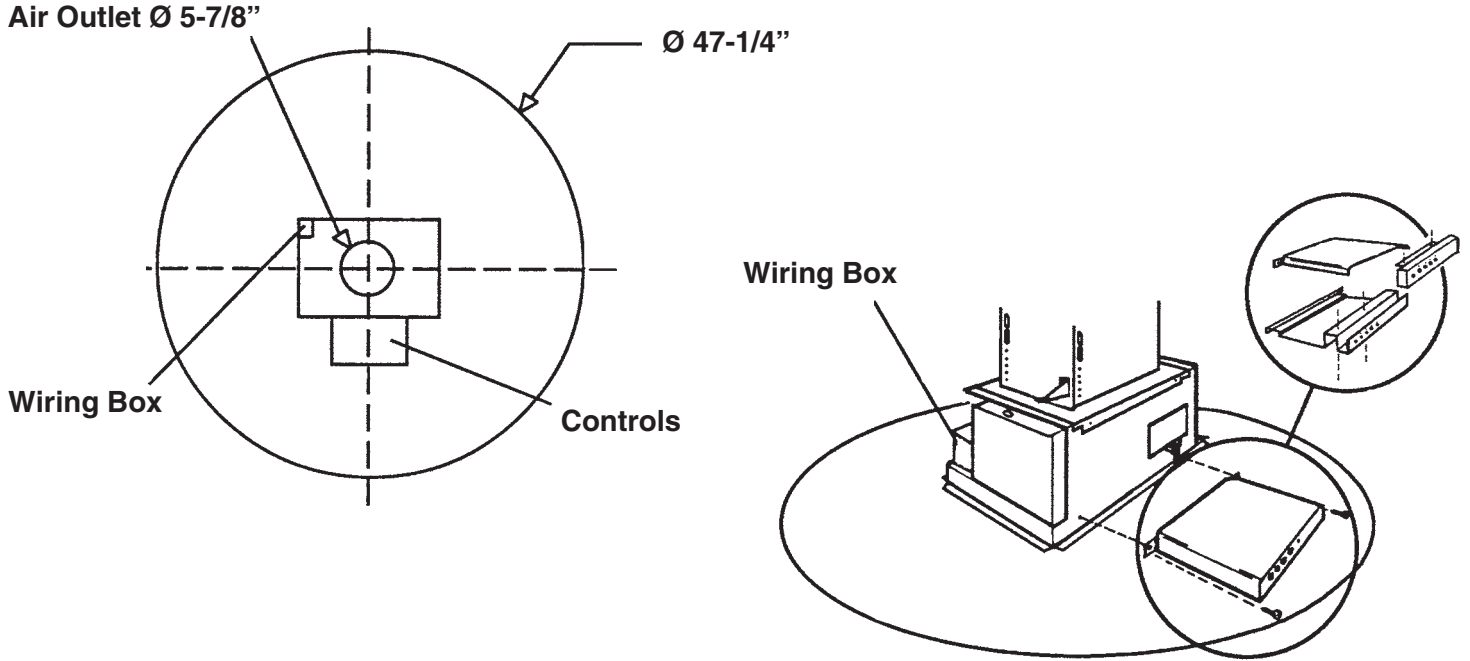


HVI-2100 CERTIFIED RATINGS comply with new testing technologies and procedures prescribed by the Home Ventilating Institute, for off-the-shelf products, as they are available to consumers. Product performance is rated at 0.1 in. static pressure, based on tests conducted in AMCA's state-of-the-art test laboratory. Sones are a measure of humanly-perceived loudness, based on laboratory measurements.

BEST BY BROAN P.O. BOX 140 HARTFORD, WISCONSIN 53027

REFERENCE	QTY.	REMARKS	Project
			Location
			Architect
			Engineer
			Contractor
			Submitted by Date

IS241/BER02IS SERIES WIRING



IS241/BER02IS SERIES MOUNTING

