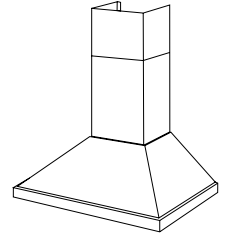


K42 SERIES RANGE HOODS



The classic pyramid with the performance for the serious cook or the recreational cook.

FEATURES

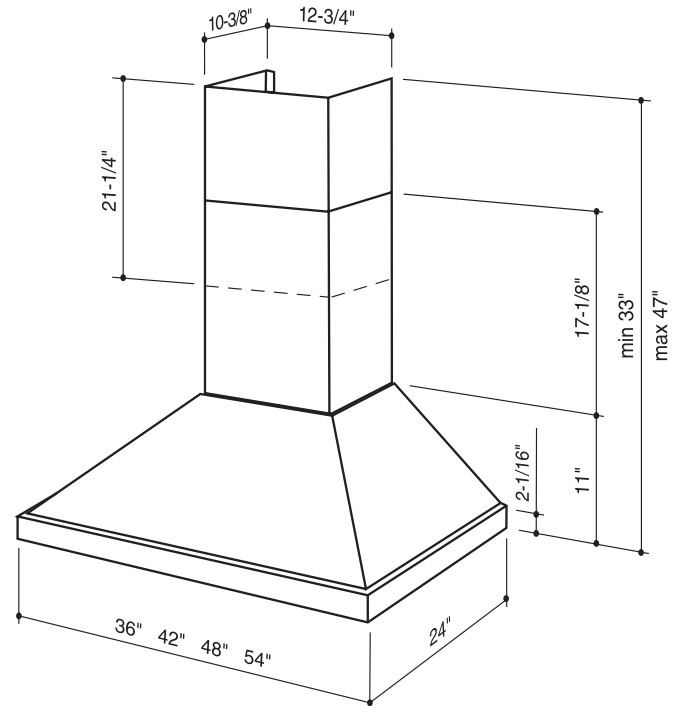
- Italian design
- Wall mount
- Finishes: 304 Stainless Steel #4 Brushed, Polished Brass, Polished Copper
- Widths: 36", 42", 48", 54"
- Telescopic flue accommodates 8' to 9' ceilings
- 8" round duct connector/backdraft damper
- Halogen lighting (2 x 20 watt, MR16 - bulbs included)
- Slide controls: on-off, infinite speed
- Twin centrifugal blower
- Dishwasher-safe filter features a quick-release latch and decorative cover plate
- Heat Sentry™ - automatically turns blower to high speed when excess cooking heat is detected

OPTIONS

- Backsplash available (Model BSK1)
- Flue extension for 10' ceiling (Model FEXTK42) (31-7/8" long)
- Replacement grease filters available
- Replacement bulb (Part No. SB02300668)
- Accent trim in contrasting or complementary finishes (Model FTK42)
- Exterior blower version (KEX42) available, providing 600, 900, 1200, or 1500 CFM exhaust

SPECIFICATIONS

VOLTS	AMPS	CFM	SONES	DUCT
120	6.26	1000	10.0	8" round



Mount range hood so bottom of hood is 24" minimum above cooking surface.



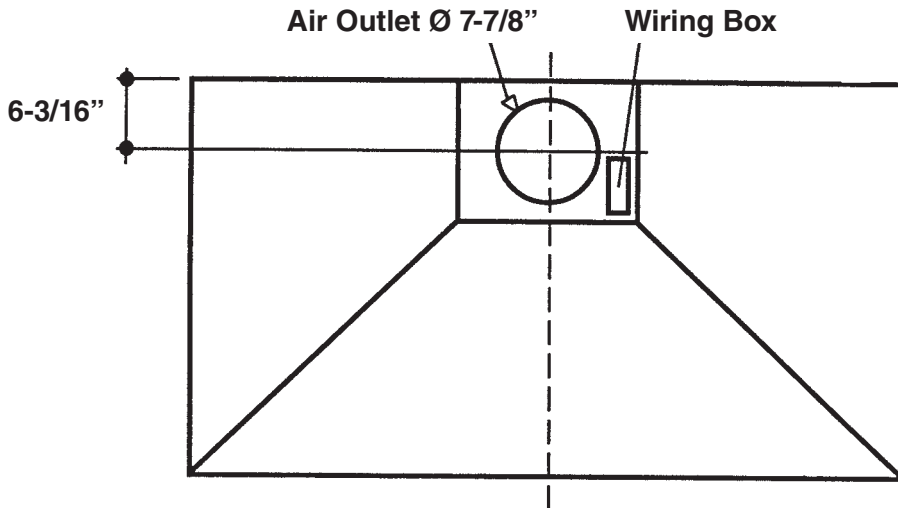
HVI-2100 CERTIFIED RATINGS comply with new testing technologies and procedures prescribed by the Home Ventilating Institute, for off-the-shelf products, as they are available to consumers. Product performance is rated at 0.1 in. static pressure, based on tests conducted in a state-of-the-art test laboratory. Sones are a measure of humanly-perceived loudness, based on laboratory measurements.



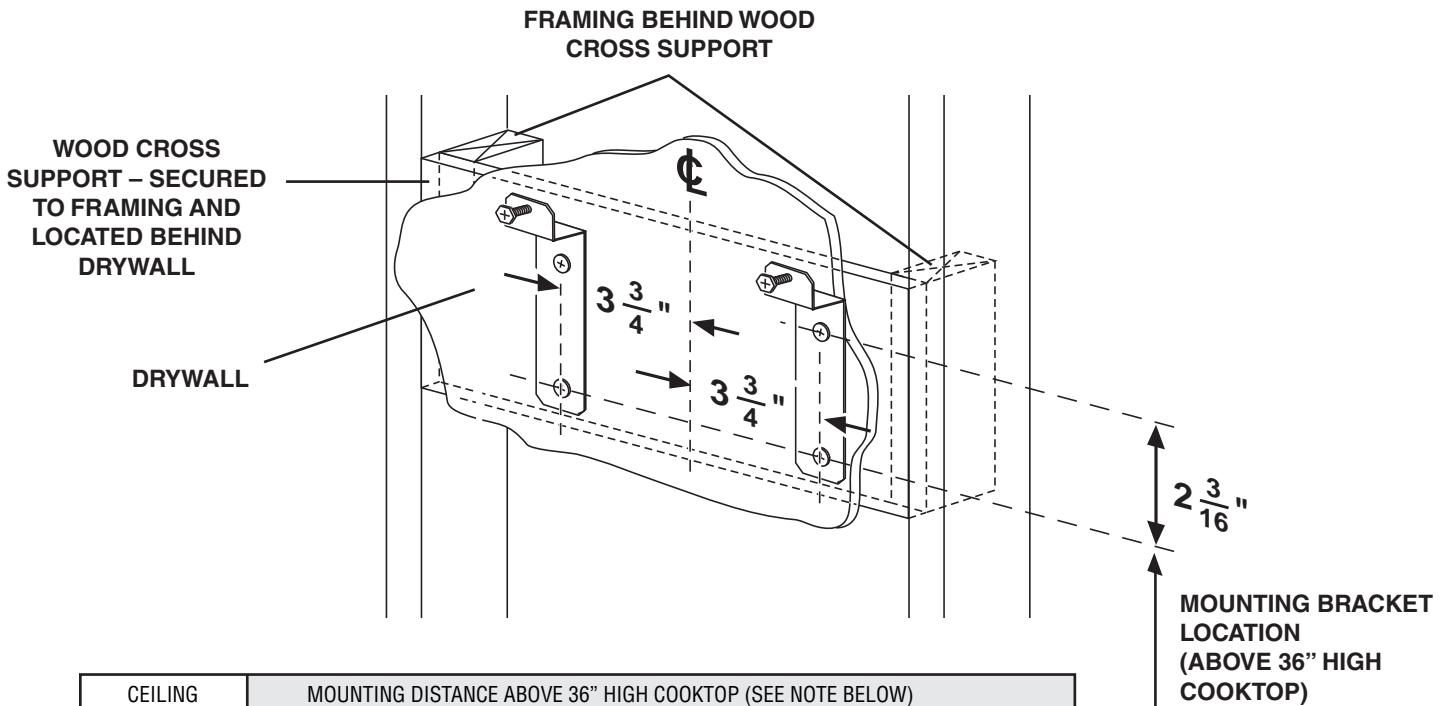
BEST Hartford, Wisconsin www.BestRangeHoods.com 800-558-1711
 BEST Drummondville, QC, Canada www.BestRangeHoods.com 866-737-7770

REFERENCE	QTY.	REMARKS	Project
			Location
			Architect
			Engineer
			Contractor
			Submitted by Date

K42 SERIES WIRING



K42 SERIES MOUNTING



CEILING HEIGHT	MOUNTING DISTANCE ABOVE 36" HIGH COOKTOP (SEE NOTE BELOW)						
	24"	25"	26"	27"	28"	29"	30"
8 FEET	36-3/16"	37-3/16"	38-3/16"	39-3/16"			
9 FEET		37-3/16"	38-3/16"	39-3/16"	40-3/16"	41-3/16"	42-3/16"
10 FEET WITH FEXTK42			38-3/16"	39-3/16"	40-3/16"	41-3/16"	42-3/16"

NOTE: Minimum hood distance above cooktop must not be less than 24".
 A maximum of 30" above the cooktop is highly recommended for best capture of cooking impurities.
 Distances over 30" are at the installer and users' discretion; and if ceiling height and flue length permit.



BEST Hartford, Wisconsin www.BestRangeHoods.com 800-558-1711
 BEST Drummondville, QC, Canada www.BestRangeHoods.com 866-737-7770